

# **COLOR LASER COPIER 1120/1130/1150**

# **PARTS CATALOG**

**REVISION 0**

**Canon**

**FEB. 1999**

**FY8-31DY-000**

## PREFACE

This Parts Catalog contains listings of parts used in the Canon COLOR LASER COPIER 1120/1130/1150. Diagrams are provided with the listings to aid the service technician in identifying clearly, the item to be ordered.

Whenever ordering parts, consult this Parts Catalog for all of the information pertaining to each item. Be sure to include, in the Parts Request, the full item description, the item part number, and the quantity.

Canon Inc.

Office Imaging Products Technical Support Dept. 3  
Office Imaging Products Technical Support Div.  
5-1, Hakusan 7-chome,  
Toride-shi, Ibaraki 302-8501, Japan

*COPYRIGHT © 1999 CANON INC.*

*Printed in Japan*

*Imprimé au Japon*

Use of this manual should be strictly supervised to avoid disclosure of confidential information.

## LIST OF SERIAL NUMBER

### COLOR LASER COPIER 1120

120V	60Hz	F13-5201	NNE00001 -
120V	60Hz	F13-5231	NND00001 -
220V	50Hz	F13-5241	PNJ00001 -
240V	50Hz	F13-5261	RNC00001 -
220V	50Hz	F13-5271	SND00001 -
220V	50Hz	F13-5291	UND00001 -

### COLOR LASER COPIER 1130

100V	50 / 60Hz	F13-5411	LNC00001 -
220V	50Hz	F13-5421	PNR00001 -
220V	50Hz	F13-5441	PNM00001 -
240V	50Hz	F13-5451	QND00001 -
240V	50Hz	F13-5461	RNE00001 -
220V	50Hz	F13-5471	SNC00001 -
220V	50Hz	F13-5481	TNC00001 -
220V	50Hz	F13-5491	UNC00001 -

### COLOR LASER COPIER 1150

100V	50 / 60Hz	F13-5311	LNB00001 -
220V	50Hz	F13-5321	PNH00001 -
120V	60Hz	F13-5331	NNC00001 -
220V	50Hz	F13-5341	PNB00001 -
240V	50Hz	F13-5351	QNB00001 -
240V	50Hz	F13-5361	RNB00001 -
220V	50Hz	F13-5371	SNB00001 -
220V	50Hz	F13-5381	TNB00001 -
220V	50Hz	F13-5391	UNB00001 -

# CONTENTS

A.	ASSEMBLY LOCATION DIAGRAM	311.	MULTI PAPER FEED TRAY ASSEMBLY
001.	ACCESSORIES/FIXING PLATE	313.	CASSETTE PAPER PICK-UP ASSEMBLY
020.	SPECIAL TOOLS	315.	PAPER PICK-UP FEEDER ASSEMBLY (CLC1150)
100.	EXTERNAL COVERS, PANELS, ETC.	330.	TRANSFER FRAME ASSEMBLY
101.	MACHINE FRONT PLATE 1	331.	PRE-REGISTRATION FEEDER ASSEMBLY
102.	MACHINE FRONT PLATE 2	332.	PRE-REGISTRATION GUIDE ASSEMBLY
103.	INTERNAL COMPONENTS 1	333.	RETENSION ROLLER ASSEMBLY
104.	INTERNAL COMPONENTS 2	341.	POSTCARD FEEDER ASSEMBLY (100V)
105.	INTERNAL COMPONENTS 3	350.	DELIVERY ASSEMBLY (CLC1120/1130)
106.	INTERNAL COMPONENTS 4	351.	DELIVERY UPPER COVER ASSEMBLY (CLC1150)
107.	INTERNAL COMPONENTS 5	352.	DUPLEXING DELIVERY ASSEMBLY (CLC1150)
108.	MACHINE REAR PLATE 1	355.	INTERNAL DELIVERY ASSEMBLY
109.	MACHINE REAR PLATE 2	365.	HOLDING TRAY ASSEMBLY (CLC1150)
110.	MACHINE REAR PLATE 3	366.	LOWER HORIZONTAL FEEDER ASSEMBLY (CLC1150)
111.	MACHINE REAR PLATE 4	367.	UPPER HORIZONTAL FEEDER ASSEMBLY (CLC1150)
113.	MACHINE BOTTOM PLATE	368.	SIDE JOGGING GUIDE PLATE ASSEMBLY (CLC1150)
115.	POWER CORD TERMINAL ASSEMBLY (100/120V NND, NNC)	420.	MIRROR ASSEMBLY 1
116.	POWER CORD TERMINAL ASSEMBLY (120V NNE/220/240V)	430.	MIRROR ASSEMBLY 2
130.	CONTROL PANEL ASSEMBLY	460.	LASER SCANNER ASSEMBLY
145.	RIGHT COVER ASSEMBLY	510.	PHOTOSENSITIVE DRUM ASSEMBLY
160.	COPYBOARD COVER ASSEMBLY	511.	BLADE ASSEMBLY 2 / BLACK TONER SENSOR ASSEMBLY
190.	EXHAUST FAN ASSEMBLY	530.	TRANSFER DRUM ASSEMBLY
191.	TONER INTAKE FAN ASSEMBLY	532.	SEPARATION CLAW ASSEMBLY
210.	READER ASSEMBLY	550.	PRIMARY CORONA ASSEMBLY
250.	MAIN DRIVE ASSEMBLY	580.	SEPARATION CORONA ASSEMBLY
251.	PAPER PICK-UP DRIVE ASSEMBLY	590.	INTERNAL CORONA ASSEMBLY
252.	DEVELOPING DRIVE ASSEMBLY	591.	OUTER CORONA ASSEMBLY
253.	FIXING DRIVE ASSEMBLY	592.	CLEANING REAR CORONA ASSEMBLY
254.	POSTCARD FEEDER DRIVE ASSEMBLY (100V)	620.	HOPPER MOUNT ASSEMBLY
255.	DRUM DRIVE ASSEMBLY	621.	HOPPER ASSEMBLY (Bk/M/C)
260.	REGIST. FEEDER DRIVE ASSEMBLY	622.	HOPPER ASSEMBLY (Y)
261.	MULTI FEEDER DRIVE ASSEMBLY	640.	DEVELOPING ASSEMBLY (M/C/Y)
265.	DUPLEXING DRIVE ASSEMBLY (CLC1150)	641.	DEVELOPING ASSEMBLY (Bk)
270.	DEVELOPING PRESS ASSEMBLY	710.	DRUM CLEANING ASSEMBLY
271.	TRANSFER DRUM PRESSURE ASSEMBLY	770.	WASTE TONER ASSEMBLY
272.	TRA. CLEANING PRESSURE ASSEMBLY	780.	TRANSFER CLEANING ASSEMBLY
275.	TRANSFER CAM ASSEMBLY	810.	FIXING ASSEMBLY
290.	WASTE TONER DRIVE ASSEMBLY	820.	FIXING OIL APPLY ASSEMBLY
300.	CASSETTE (UNIVERSAL)	830.	FIXING ROLLER CLEANING ASSEMBLY (UPPER)
301.	CASSETTE (SIZE FIXED)	831.	FIXING ROLLER CLEANING ASSEMBLY (LOWER)
305.	CASSETTE HEATER ASSEMBLY		
310.	MULTI PAPER FEED ASSEMBLY		

# CONTENTS

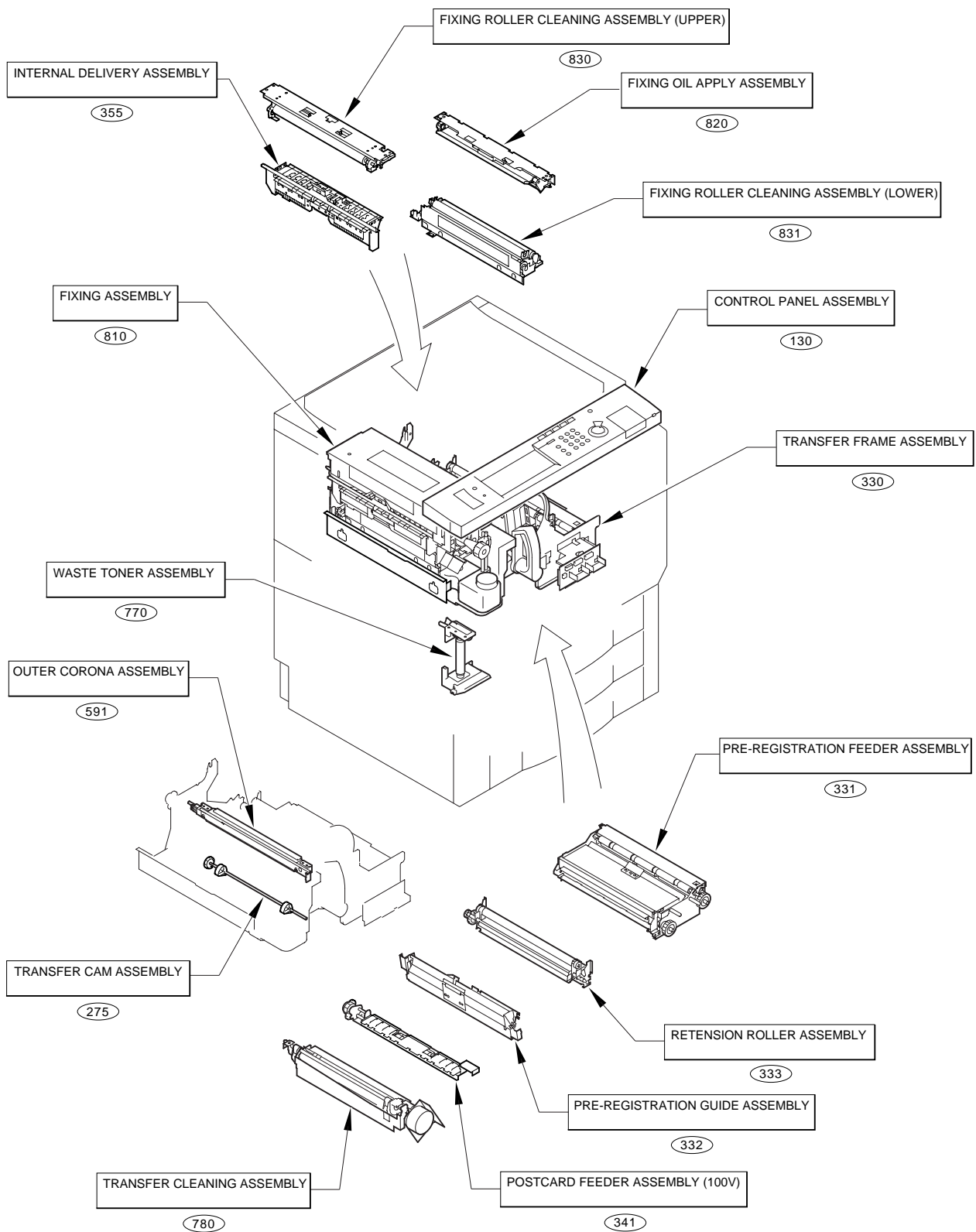
- 910. MAIN POWER SUPPLY ASSEMBLY
- 911. DC POWER SUPPLY PCB ASSEMBLY
- 912. AC FUSE BOARD PCB ASSEMBLY
- 913. DC FUSE BOARD PCB ASSEMBLY
- 915. RDF POWER SUPPLY ASSEMBLY (ACCESSORY)
- 925. CONTROL PANEL CPU PCB ASSEMBLY
- 926. PANEL INVERTER PCB ASSEMBLY
- 930. DC DRIVER PCB ASSEMBLY
- 931. CPU PCB MOUNT ASSEMBLY
- 940. SCANNER MOTOR DRIVER PCB ASSEMBLY
- 945. LASER CONTROLLER PCB UNIT
- 947. POTENTIAL MEASURING PCB ASSEMBLY
- 950. ANALOG PROCESSOR PCB ASSEMBLY
- 955. IMAGE PROCESSOR PCB CASE
- 956. IMAGE PROCESSOR IF PCB ASSEMBLY  
(ACCESSORY)
- 957. IMAGE PROCESSOR MAIN PCB ASSEMBLY
- 958. IMAGE PROCESSOR ECO PCB ASSEMBLY
- 959. IMAGE PROCESSOR ED PCB ASSEMBLY  
(ACCESSORY)
- 970. LAMP REGULATOR PCB ASSEMBLY
- 980. H.V. DEVELOPING PCB ASSEMBLY
- 981. H.V. AC PCB ASSEMBLY
- 982. H.V. DC PCB ASSEMBLY
- 983. 40V TRANSFORMER PCB ASSEMBLY

**B. LIST OF CONNECTORS**

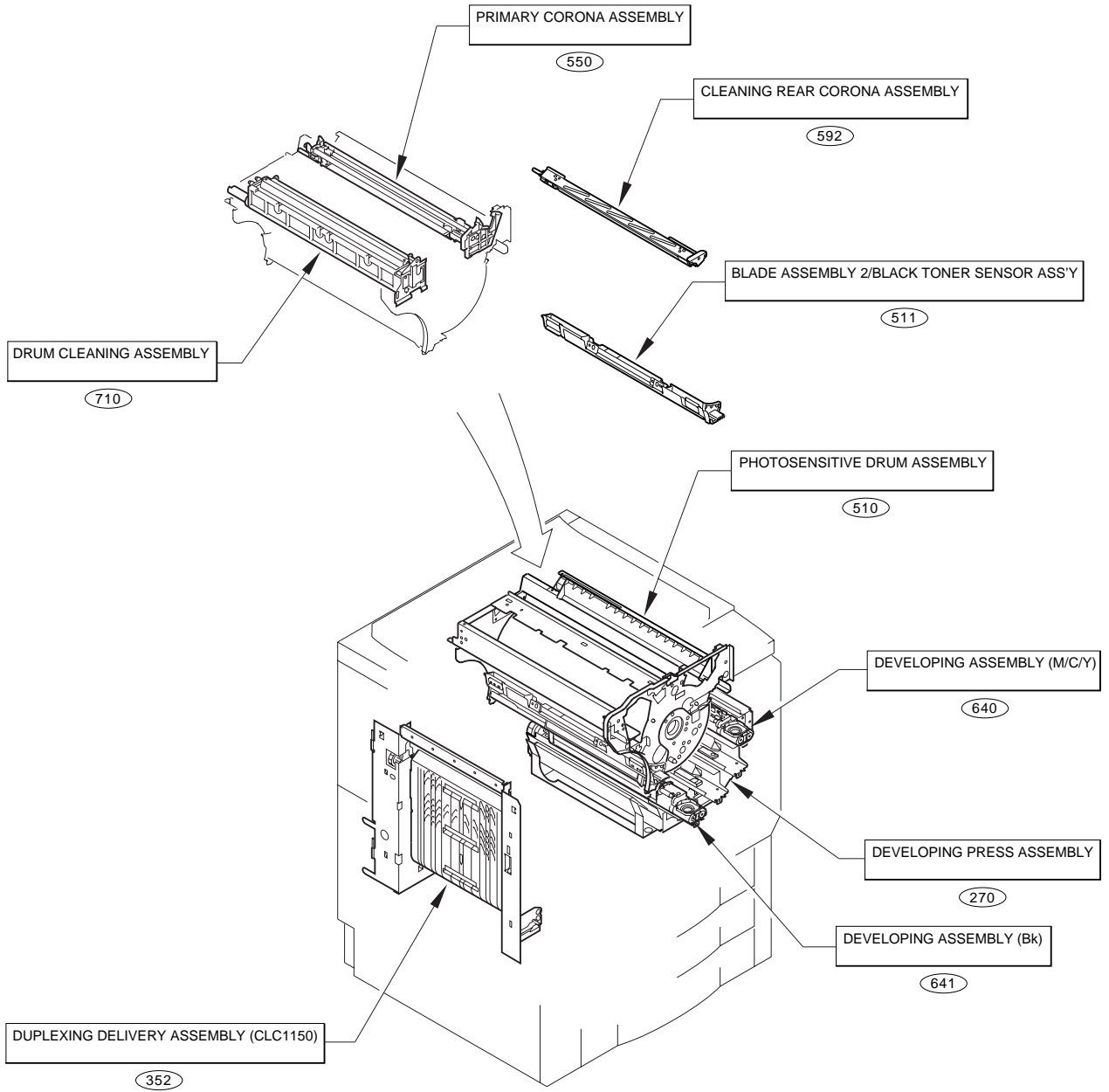
**C. LIST OF STANDARD FASTENERS**

**D. NUMERICAL INDEX**

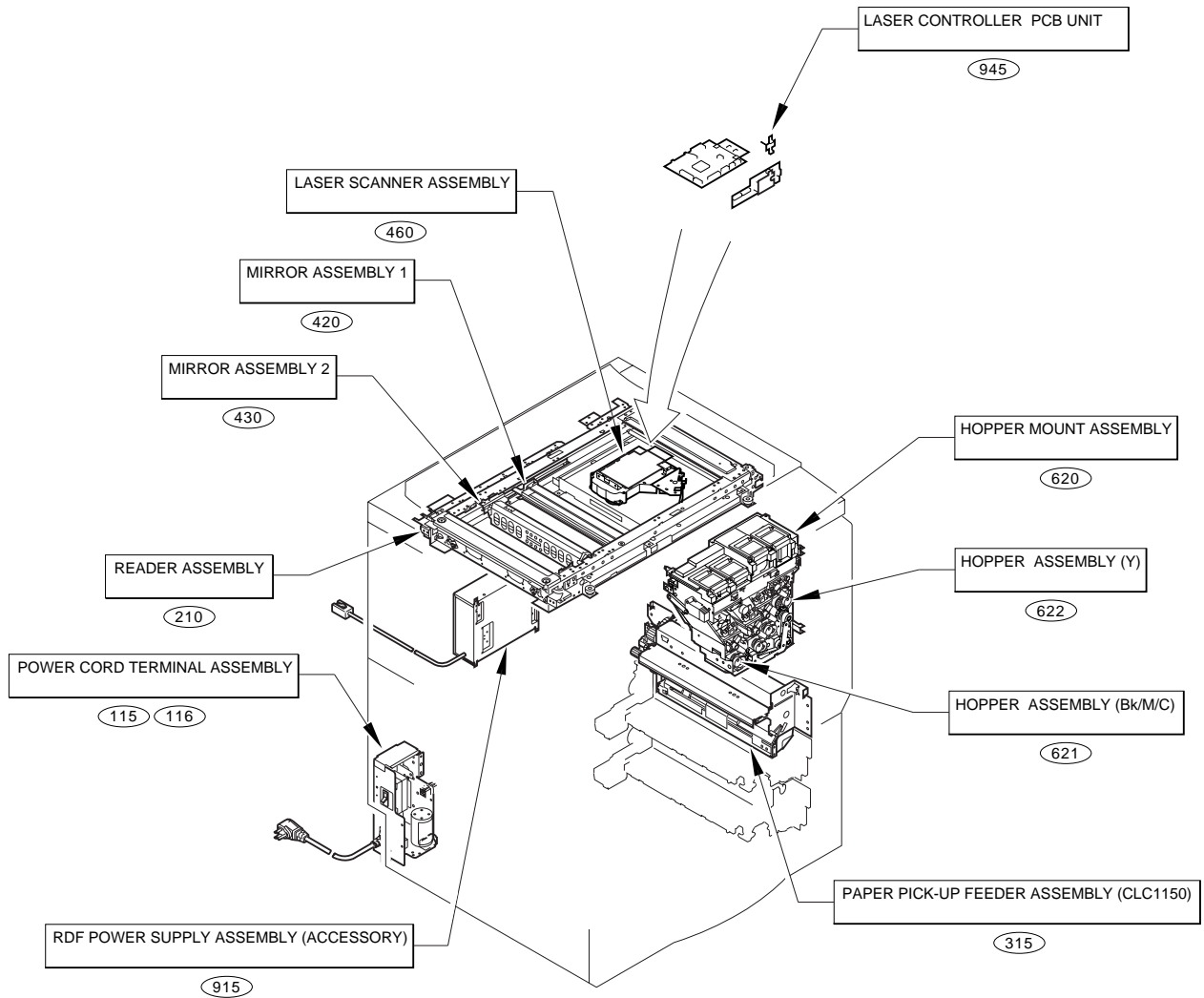
# FIGURE A ASSEMBLY LOCATION DIAGRAM (1/9)



# FIGURE A ASSEMBLY LOCATION DIAGRAM (2/9)

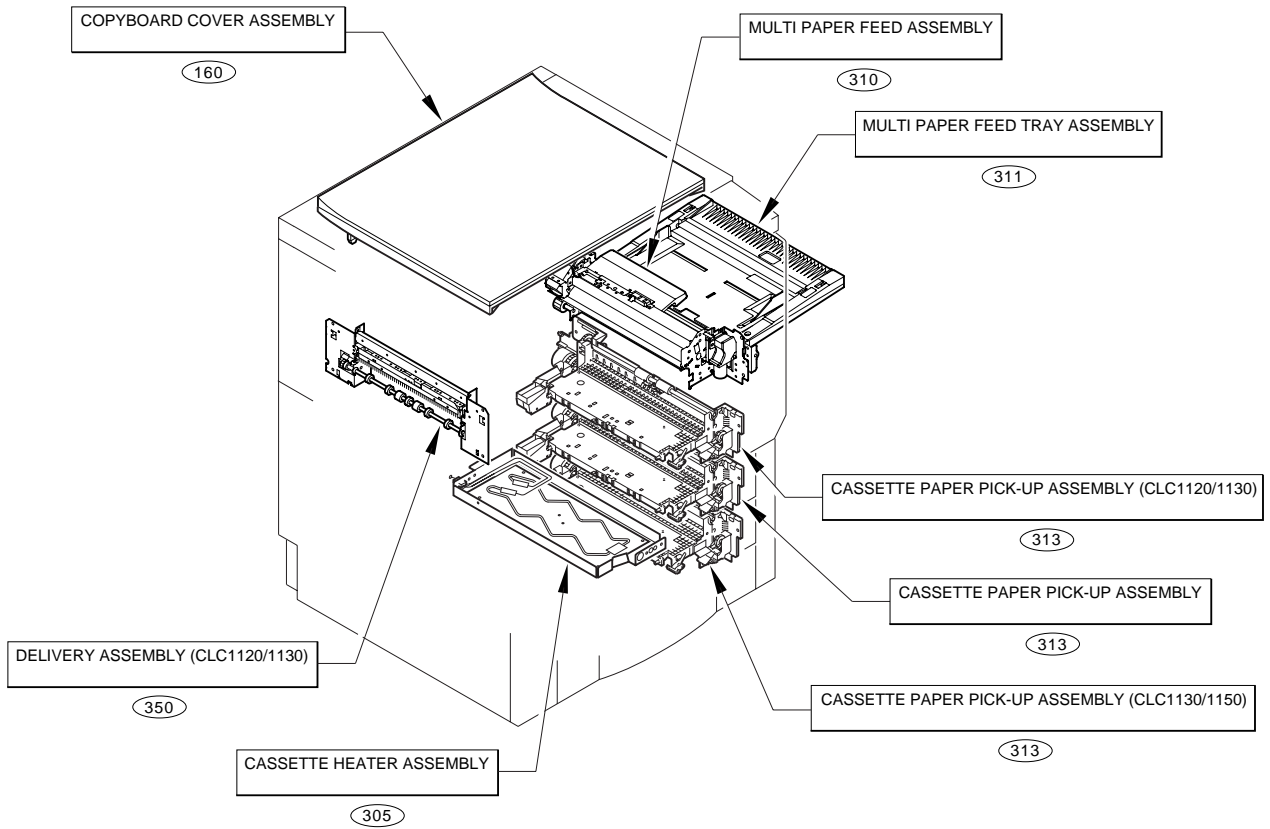


# FIGURE A ASSEMBLY LOCATION DIAGRAM (3/9)

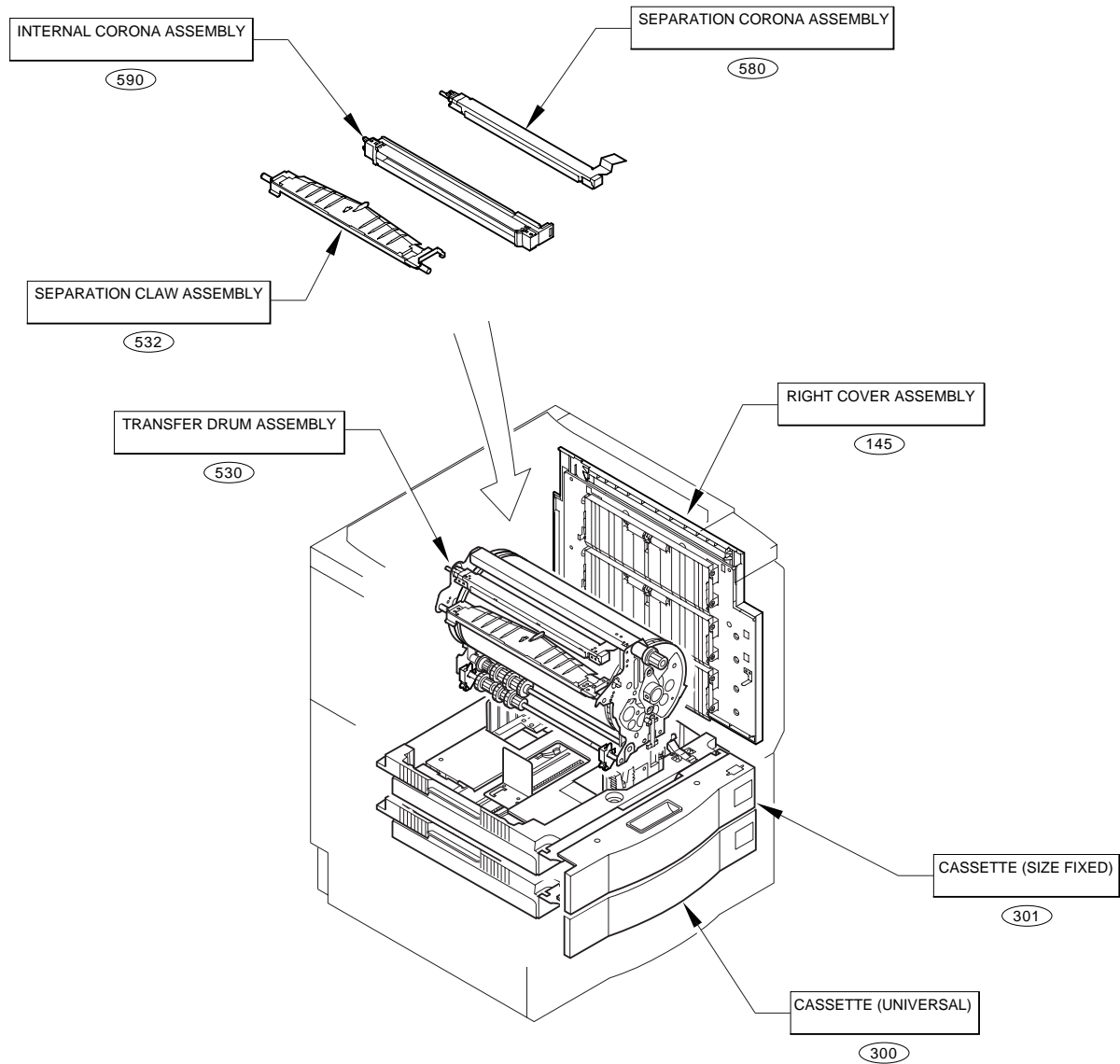




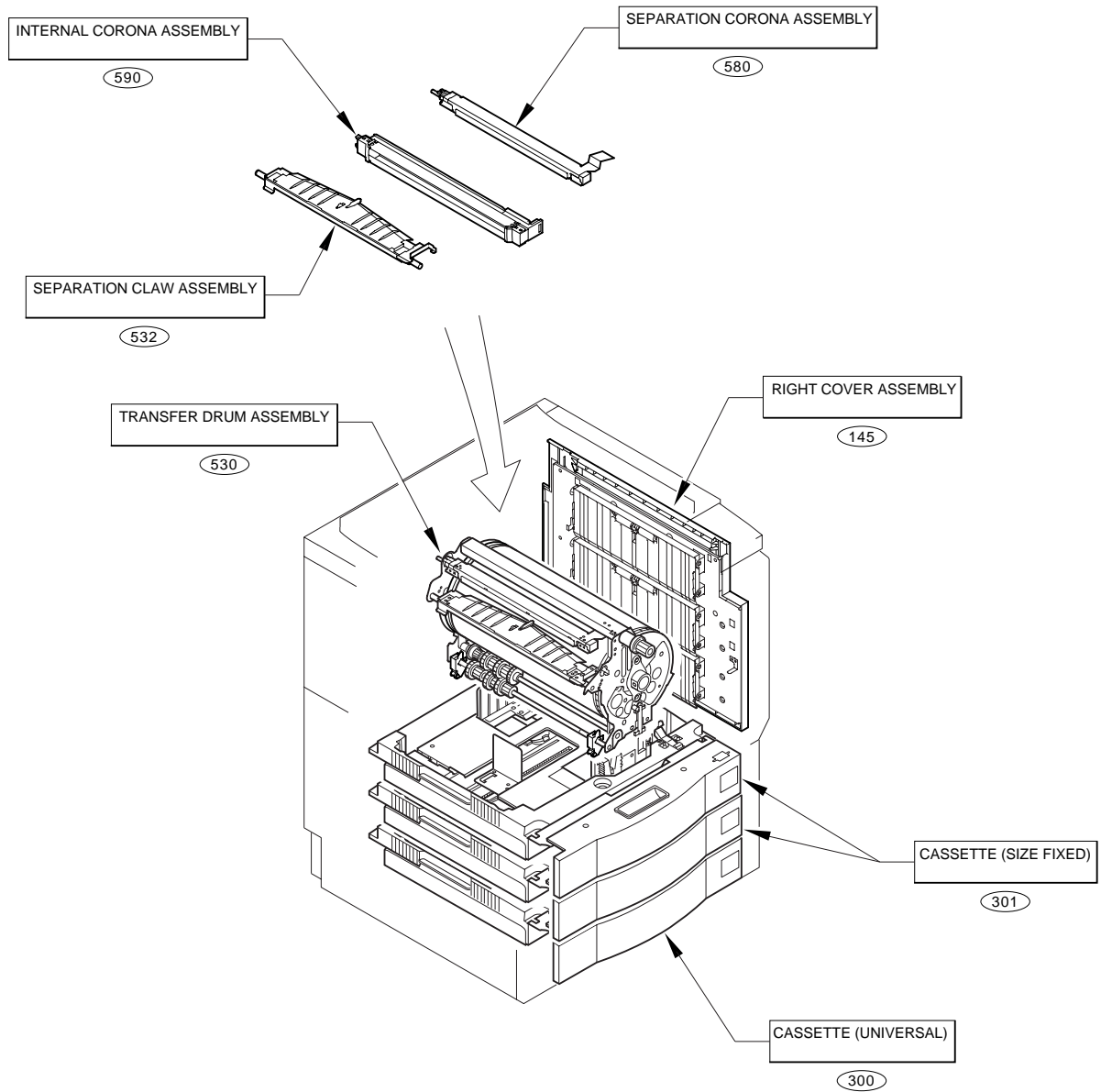
# FIGURE A ASSEMBLY LOCATION DIAGRAM (4/9)



# FIGURE A ASSEMBLY LOCATION DIAGRAM (5/9) (CLC1120)

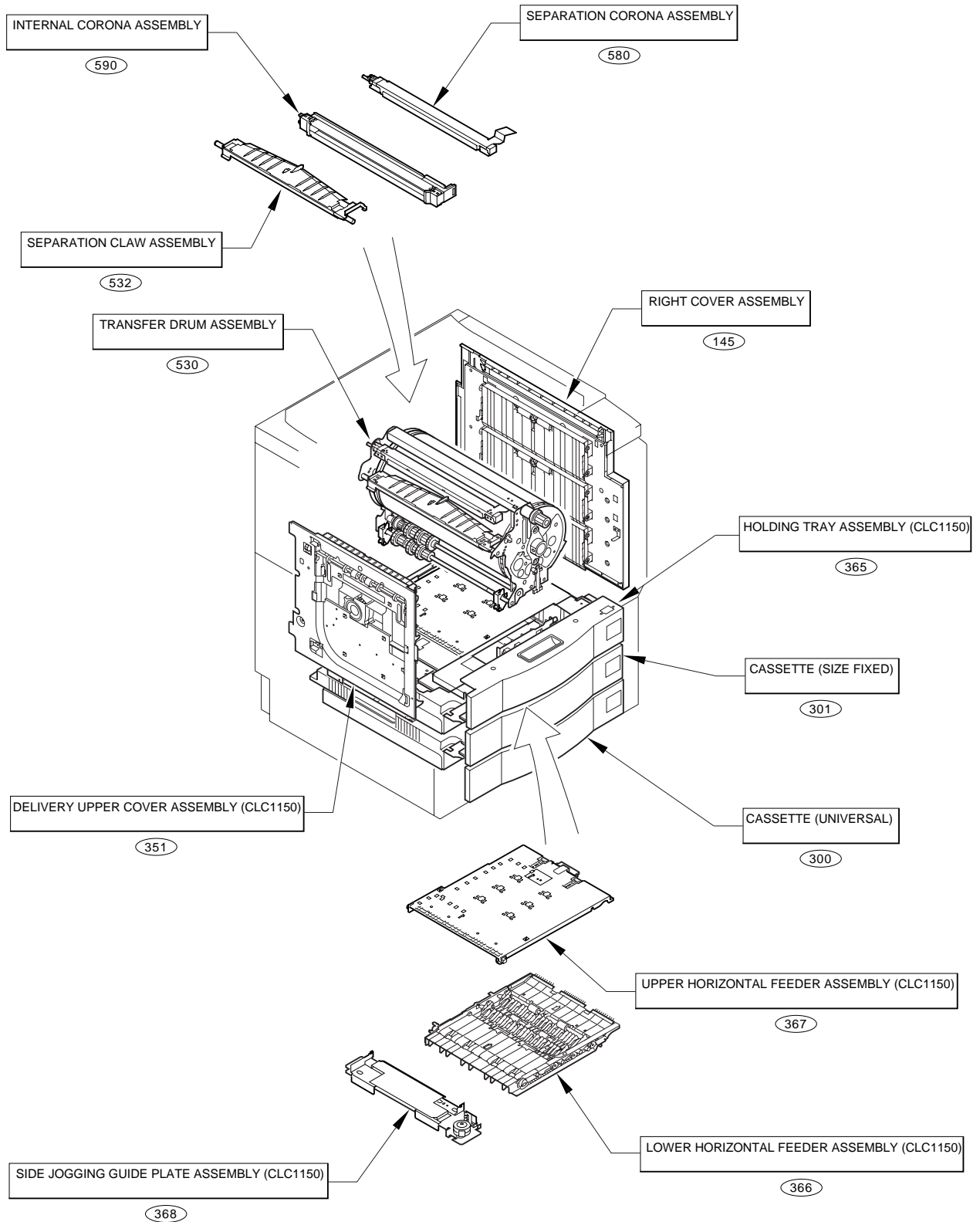


# FIGURE A ASSEMBLY LOCATION DIAGRAM (6/9) (CLC1130)



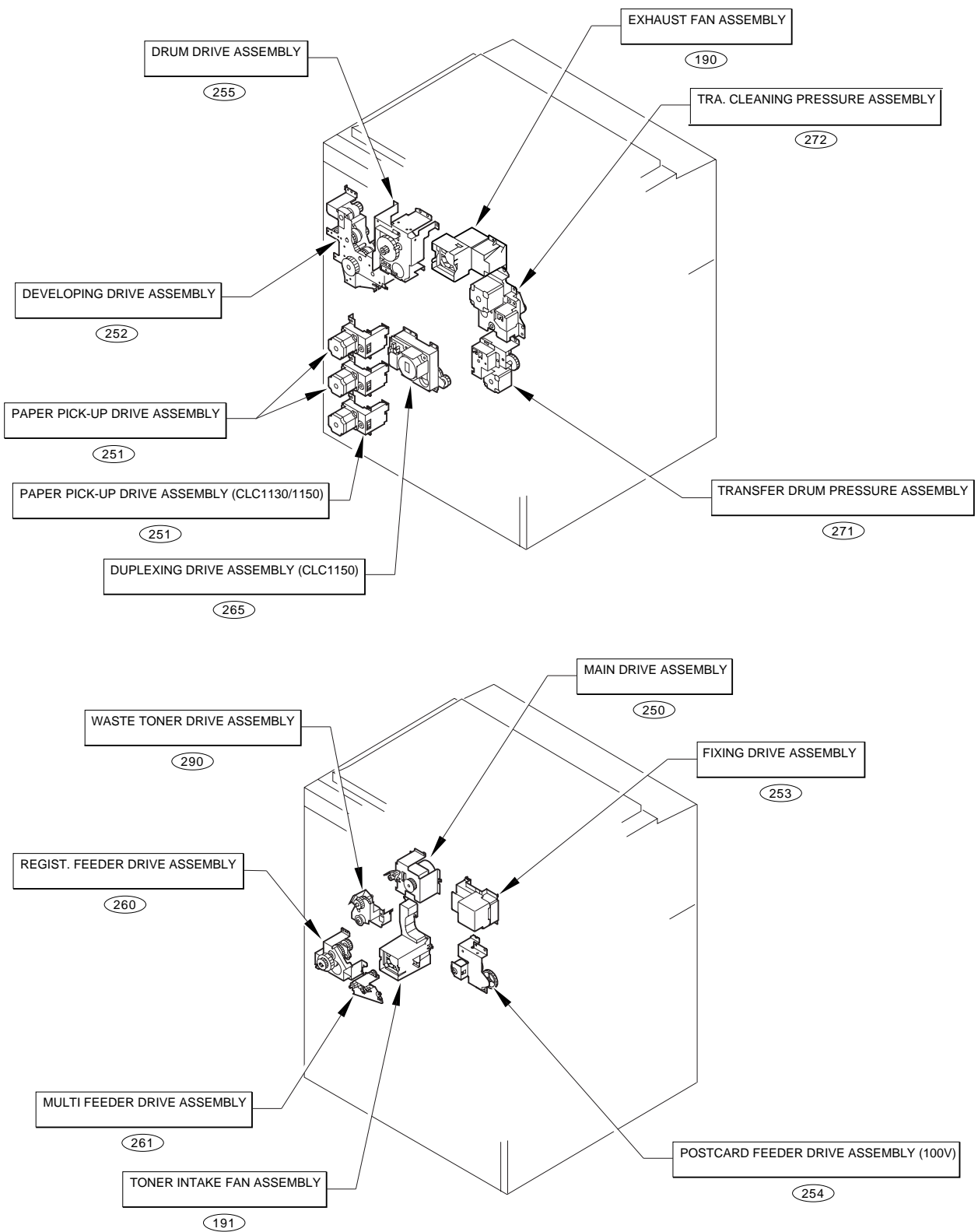
# FIGURE A

## ASSEMBLY LOCATION DIAGRAM (7/9) (CLC1150)



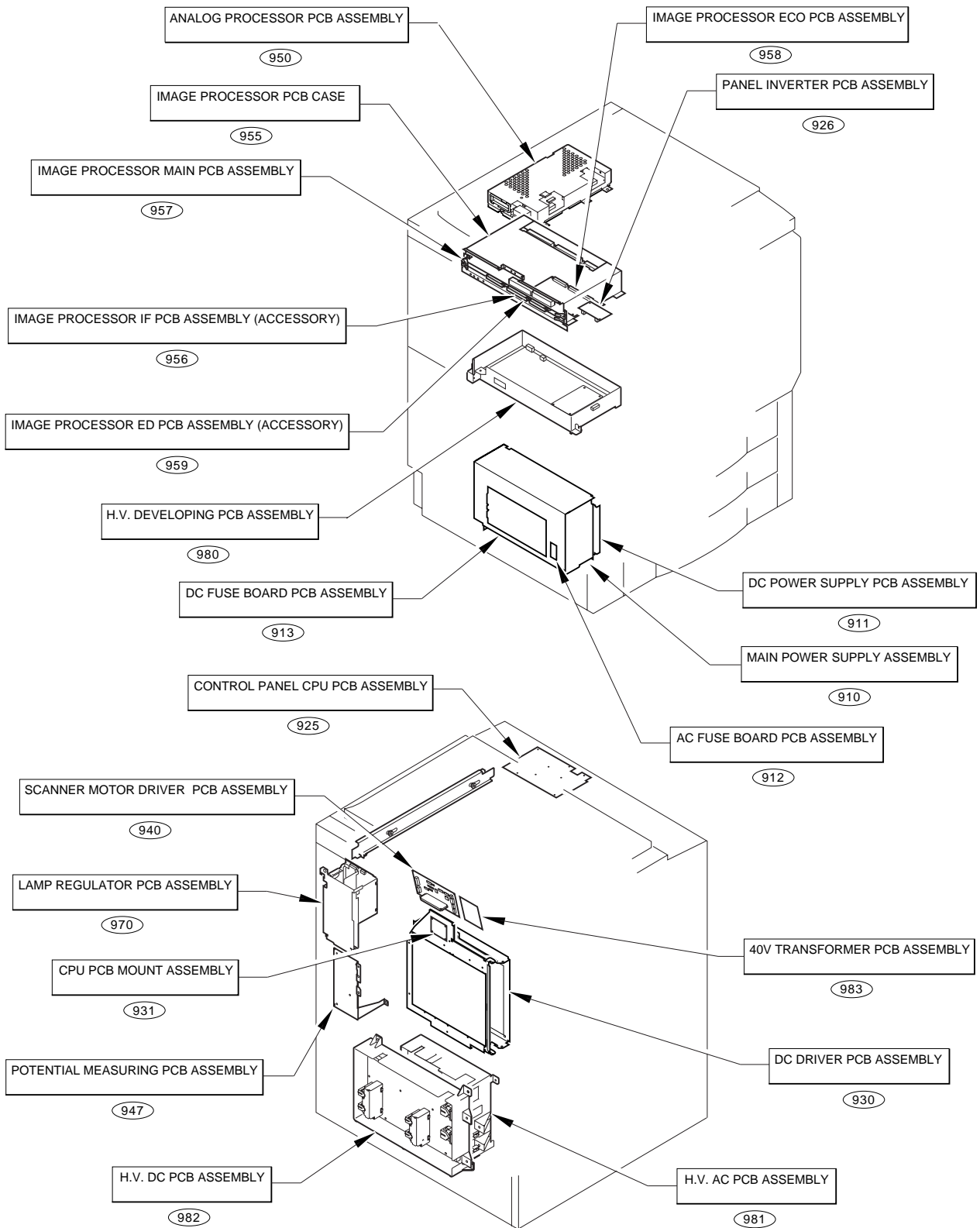
# FIGURE A

## ASSEMBLY LOCATION DIAGRAM (8/9)



# FIGURE A

## ASSEMBLY LOCATION DIAGRAM (9/9)



# FIGURE 001

## ACCESSORIES/FIXING PLATE

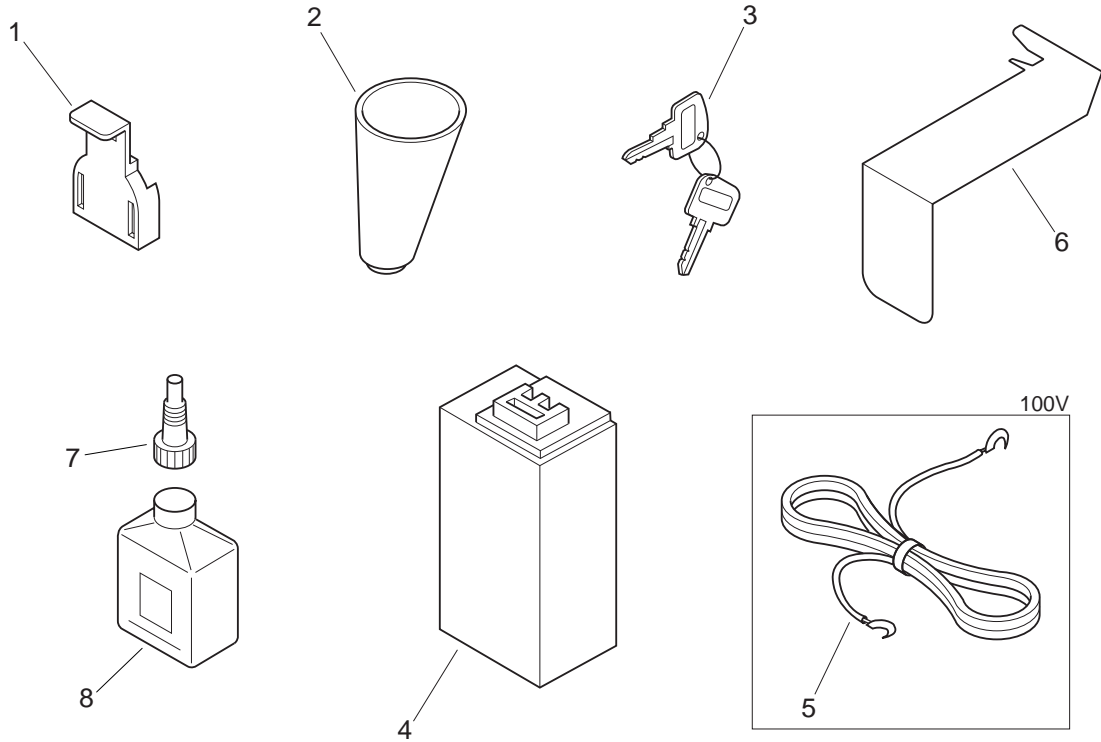


FIGURE & KEY NO.	PART NUMBER	RANK	QTY	DESCRIPTION	SERIAL NUMBER / REMARKS
001 -	NPN		RF	ACCESSORIES/FIXING PLATE	
1	FF5-2346-000		4	CAP, TONER	
2	FB2-8719-000		4	FUNNEL	
3	FF2-5915-000		1	KEY, SWITCH	
4	FY9-7006-020		1	RECEPTACLE, WASTE TONER	
5	FH2-5006-000		1	CABLE, GROUNDING	100V
6	FB2-8718-000		1	PLATE, STOP, MIRROR	
7	FB3-5849-000		1	FUNNEL	
8	FG5-3918-050		1	OIL SILICONE S400	

# FIGURE 020 SPECIAL TOOLS

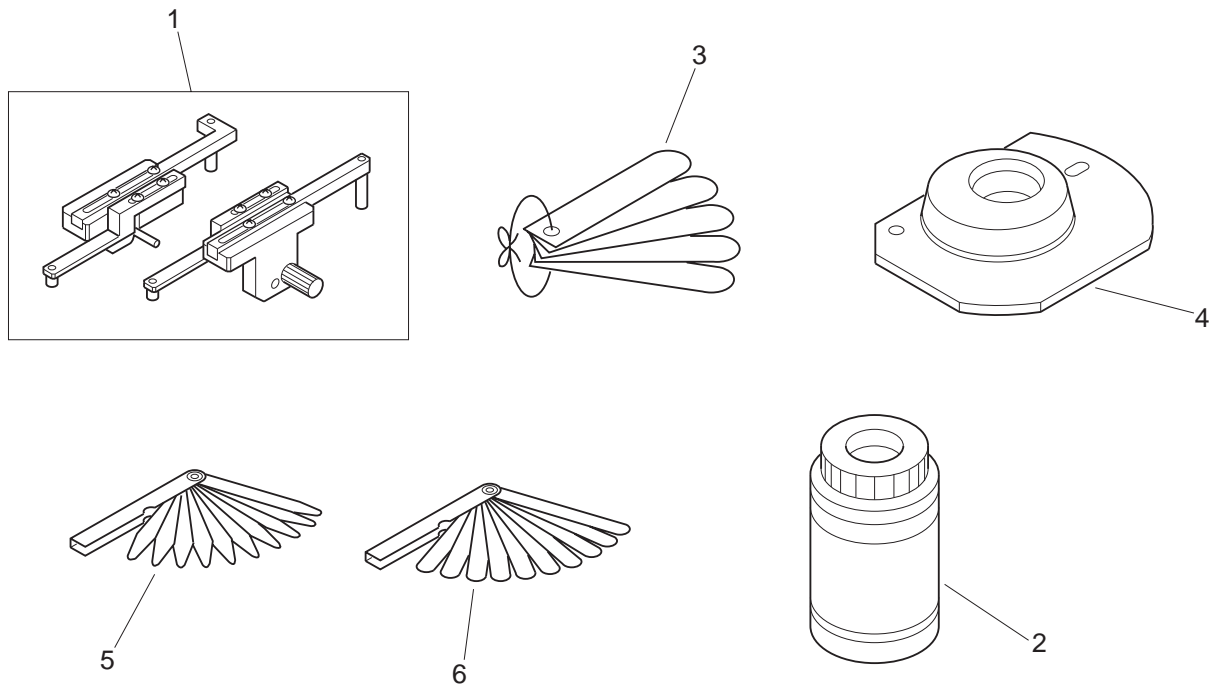
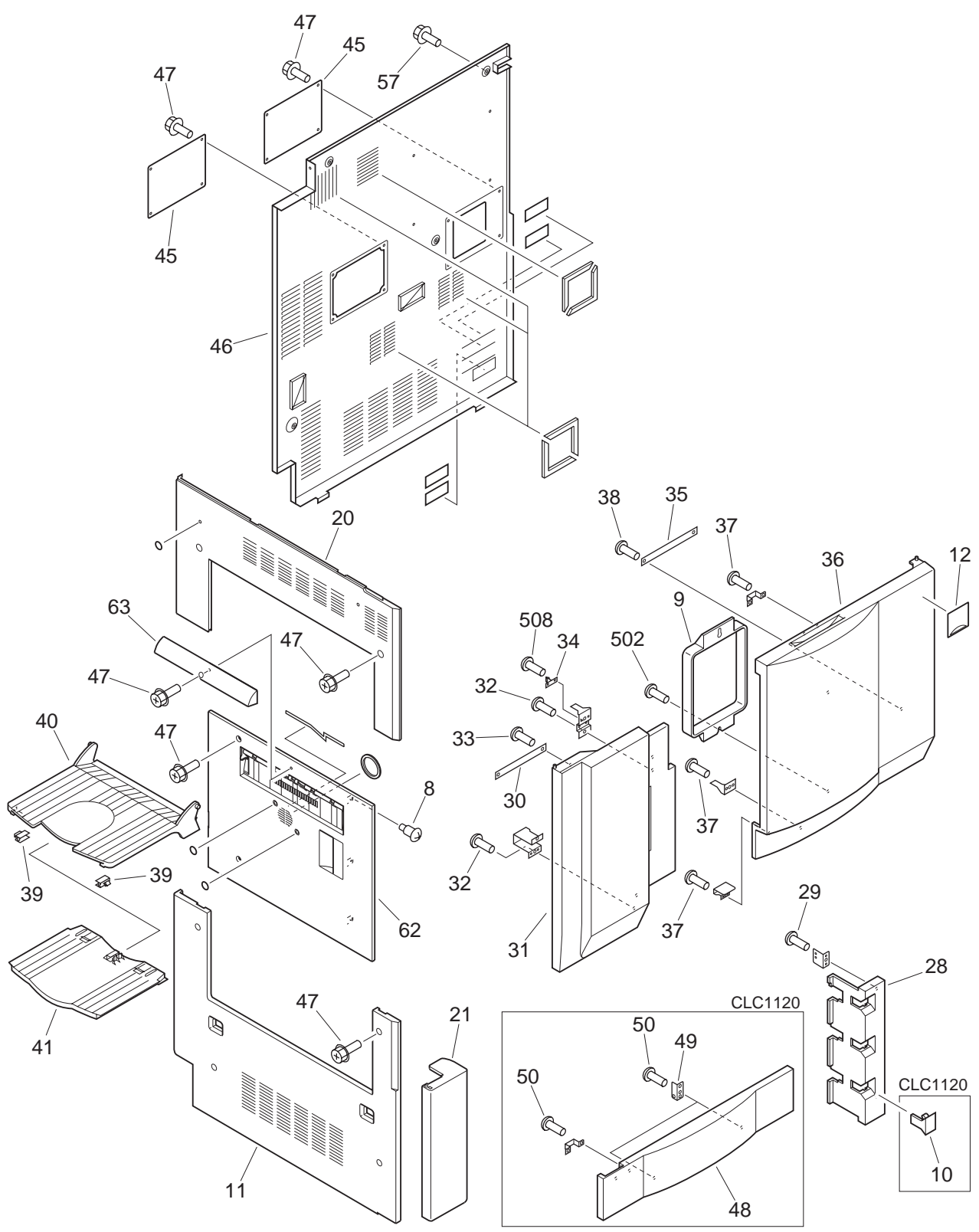


FIGURE & KEY NO.	PART NUMBER	RANK	QTY	DESCRIPTION	SERIAL NUMBER / REMARKS
020 -	NPN		RF	SPECIAL TOOLS	
1	FY9-3040-000		1	MIRROR POSITIONING TOOL	
2	TKN-0480-000		1	LUBRICANT, CLEANING ASSEMBLY	
3	FY9-3044-000		1	GAP GAUGE	
4	FY9-3045-000		1	TOOL, DRUM SHAFT POSITIONING	
5	CK-0057-000		1	GAP GAUGE	
6	CK-0061-000		1	GAP GAUGE	



# FIGURE 100 EXTERNAL COVERS, PANELS, ETC. (1/2)



# FIGURE 100

## EXTERNAL COVERS, PANELS, ETC. (2/2)

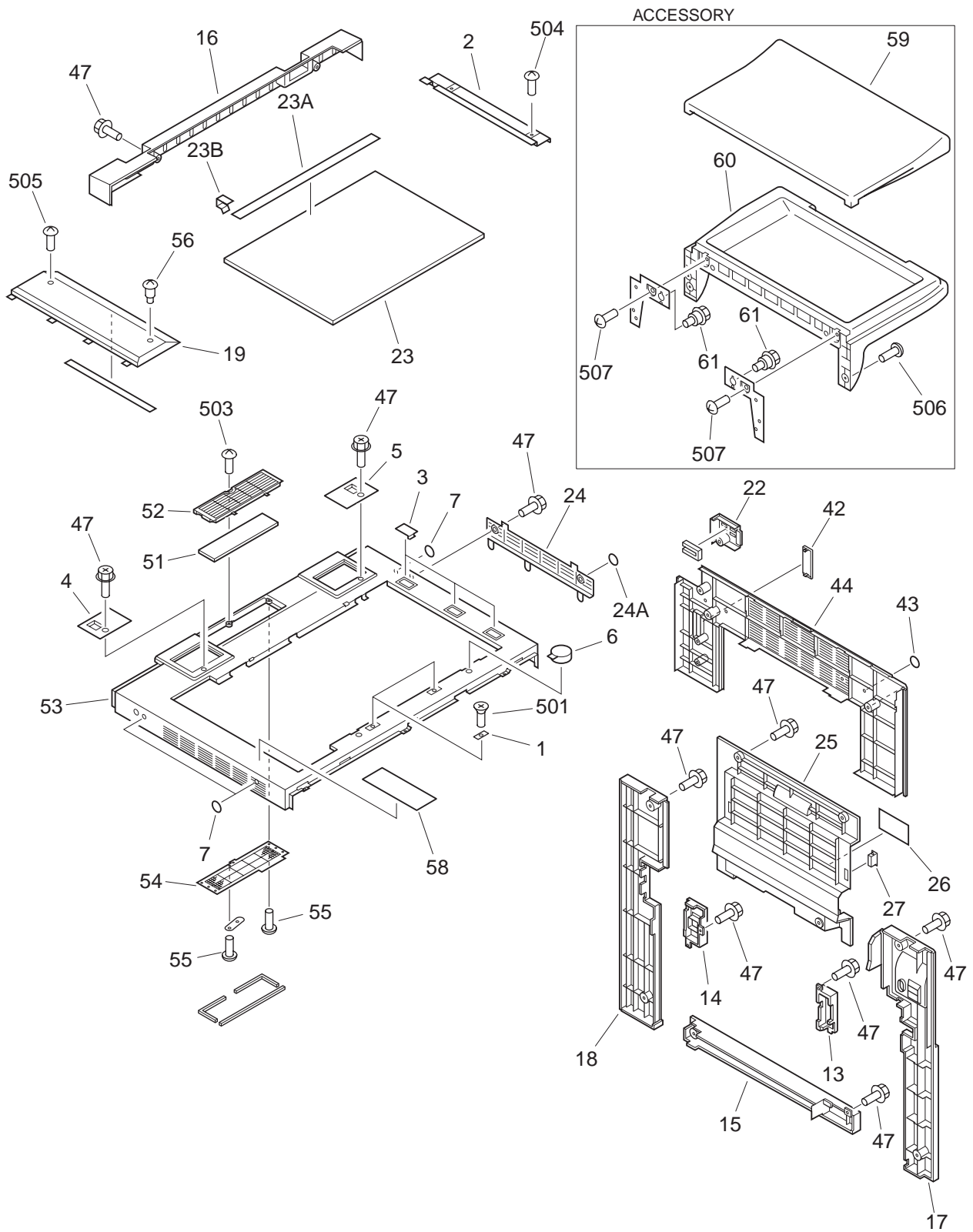


FIGURE & KEY NO.	PART NUMBER	RANK	QTY	DESCRIPTION	SERIAL NUMBER / REMARKS
100 -	NPN		RF	EXTERNAL COVERS, PANELS, ETC.	
1	FA3-9315-000		2	PLATE, COVER	
2	FB2-2576-000		1	RETAINER, GLASS, RIGHT	
3	FB2-4457-000		3	PLATE, BLANKING, COVER, UPPER	
4	FB2-6281-000		1	COVER, POCKET, LEFT	
5	FB2-6282-000		1	COVER, POCKET, RIGHT	
6	FB2-6330-000		2	COVER, RUBBER	
7	FB2-8704-000		3	SEAL, COVER	
8	FS5-9217-000		3	SCREW, STEPPED, M4	CLC1120/1130
	FS5-9217-000		4	SCREW, STEPPED, M4	CLC1150
9	FB3-7117-000		1	HOLDER, SERVICE RECORD	
10	FB4-4064-000		1	COVER, BUTTON	CLC1120
11	FB4-4981-000		1	PANEL, LEFT LOWER	
12	FB4-5168-000		1	EMBLEM	CLC1120 NNE, NND, PNJ RNC
	FB4-5170-000		1	EMBLEM	CLC1120 SND
	FB4-5169-000		1	EMBLEM	CLC1120 UND
	FB4-5171-000		1	EMBLEM	CLC1130 LNC, PNM, RNE
	FB4-5172-000		1	EMBLEM	CLC1130 PNR, QND, TNC UNC
	FB4-5173-000		1	EMBLEM	CLC1130 SNC
	FB4-5174-000		1	EMBLEM	CLC1150 LNB, NNC, PNB RNB
	FB4-5175-000		1	EMBLEM	CLC1150 PNH, QNB, TNB UNB
	FB4-5176-000		1	EMBLEM	CLC1150 SNB
13	FB4-4991-000		1	PANEL, LATCH BLANKING, FRONT	
14	FB4-4992-000		1	PANEL, LATCH BLANKING, REAR	
15	FB4-4993-000		1	PANEL, RIGHT LOWER, CENTER	
16	FB4-5044-000		1	PANEL, REAR, UPPER	
17	FB4-5047-000		1	PANEL, RIGHT LOWER, FRONT	
18	FB4-5048-000		1	PANEL, RIGHT LOWER, REAR	
19	FF5-2308-000		1	COVER, UPPER, LEFT	AB SIZE
	FF5-2309-000		1	COVER, UPPER, LEFT	A/INCH SIZE

FIGURE & KEY NO.	PART NUMBER	RANK	QTY	DESCRIPTION	SERIAL NUMBER / REMARKS
100 - 19	FF5-2310-000		1	COVER, UPPER, LEFT	A SIZE
	FF5-2311-000		1	COVER, UPPER, LEFT	AB/INCH SIZE
20	FF5-8260-000		1	PANEL, LEFT, UPPER	
21	FF5-8402-000		1	COVER, WASTE TONER	
22	FF5-8827-000		1	COVER, FILTER	
23	FF5-8252-000		1	GLASS, COPYBOARD	AB SIZE, W/O RDF
	FF5-8860-000		1	GLASS, COPYBOARD	A/INCH SIZE
	FF5-8861-000		1	GLASS, COPYBOARD	A SIZE
	FF5-8862-000		1	GLASS, COPYBOARD	AB/INCH SIZE
	FF5-8873-000		1	GLASS, COPYBOARD, EC	AB SIZE, 100V ONLY W/RDF
23A	FS5-8800-000		1	PLATE, LENGH INDEX	AB SIZE
	FS5-8809-000		1	PLATE, LENGH INDEX	A/INCH SIZE
	FS5-8810-000		1	PLATE, LENGH INDEX	A SIZE
	FS5-8811-000		1	PLATE, LENGH INDEX	AB/INCH SIZE
23B	FB4-0711-000		1	SPRING, LEAF	
24	FF5-8871-000		1	PANEL, UPPER, RIGHT	
24A	FB2-8704-000		2	SEAL, COVER	
25	FB4-4997-000		1	COVER, RIGHT, CENTER	
26	FS6-8527-000		1	LABEL, MULTI TRAY OHP SET	
27	XZ9-0353-000		2	CATCH, MAGNET	
28	FB4-4998-000		1	COVER, FRONT, RIGHT LOWER	
29	XA9-0605-000		2	SCREW,P,M4X8	
30	FA6-0745-000		1	TAPE, DOOR	
31	FB4-5041-000		1	PANEL, LEFT, FRONT	
32	XA9-0605-000		4	SCREW,P,M4X8	
33	XA9-0782-000		1	SCREW, M4X8	
34	XZ9-0124-000		1	LATCH, ROLLER-ACTION (STRIKE)	
35	FB2-4385-000		1	TAPE, HOLD	
36	FB4-5040-000		1	PANEL, RIGHT, FRONT	
37	XA9-0605-000		4	SCREW,P,M4X8	

FIGURE & KEY NO.	PART NUMBER	RANK	QTY	DESCRIPTION	SERIAL NUMBER / REMARKS
100 - 38	XA9-0782-000		1	SCREW, M4X8	
39	FB1-7197-000		2	GUIDE, TRAY, COPY	
40	FB4-4986-000		1	TRAY, COPY, 1	
41	FB4-4987-000		1	TRAY, COPY, 2	
42	FB2-4445-020		1	CAP, COVER	
43	FB2-4456-000		6	SEAL	
44	FB4-4994-000		1	PANEL, RIGHT UPPER	
45	FB1-7157-000		2	COVER, BLANKING, REAR	
46	FF5-8253-000		1	PANEL, REAR	
47	XA9-0629-000		AR	SCREW,RS,M4X8	
48	FB4-5095-000		1	COVER, FRONT, LOWER	CLC1120
49	FB4-5096-000		2	HINGE, DOOR	CLC1120
50	XA9-0605-000		4	SCREW,P,M4X8	CLC1120
51	FB4-4819-000		1	FILTER, AIR	
52	FB4-5045-000		1	COVER, FILTER	
53	FF5-8421-000		1	PANEL, UPPER	
54	FF5-8859-000		1	PLATE, MESH	
55	XA9-0591-000		5	SCREW,M3X8	
56	FS1-9010-000		1	SCREW,STEPPED,M3X2.2	
57	XA9-0633-000		AR	SCREW,W/WASHER,M4X8	
58	FS5-8828-000		1	LABEL, "LEGAL LIMITATIONS"	JAPANESE
	FS5-8829-000		1	LABEL, "LEGAL LIMITATIONS"	NNE,NND,PNJ,UND,NNC PNB,UNB,PNM,UNC
	FS5-8830-000		1	LABEL, "LEGAL LIMITATIONS"	FRENCH
	FS5-8831-000		1	LABEL, "LEGAL LIMITATIONS"	GERMAN
	FS6-8490-000		1	LABEL, "LEGAL LIMITATIONS"	PNH,PNR
	FS5-8832-000		1	LABEL, "LEGAL LIMITATIONS"	240V ENGLISH
59	FB2-4441-000		1	TRAY, COPYBOARD, UPPER	ACCESSORY
60	FB2-4442-000		1	TRAY, COPYBOARD, LOWER	ACCESSORY
61	FS5-9220-000		2	SCREW,STEPPED,M4	ACCESSORY
62	FF5-8261-000		1	COVER, PAPER DELIVERY	CLC1120/1130

FIGURE & KEY NO.	PART NUMBER	RANK	QTY	DESCRIPTION	SERIAL NUMBER / REMARKS
100 - 62	FF5-8262-000		1	COVER, PAPER DELIVERY	CLC1150
63	FB5-3964-000		1	GUIDE, DELIVERY	
501	XB1-3400-806		2	SCREW,MACH.,C.S. HEAD,M4X8	
502	XB1-2400-607		2	SCREW,MACH.,TRUSS HEAD,M4X6	
503	XB1-2400-807		1	SCREW,MACH.,TRUSS HEAD,M4X8	
504	XB6-7300-407		2	SCREW,TP,M3X4	
505	XB1-2300-407		1	SCREW,MACH.,TRUSS HEAD,M3X4	
506	XB1-2401-006		2	SCREW,MACH.,TRUSS HEAD,M4X10	ACCESSORY
507	XB1-2400-609		2	SCREW,MACH.,TRUSS HEAD,M4X6	ACCESSORY
508	XB5-6300-609		2	SCREW,CT,M3X6	

# FIGURE 101

## MACHINE FRONT PLATE 1

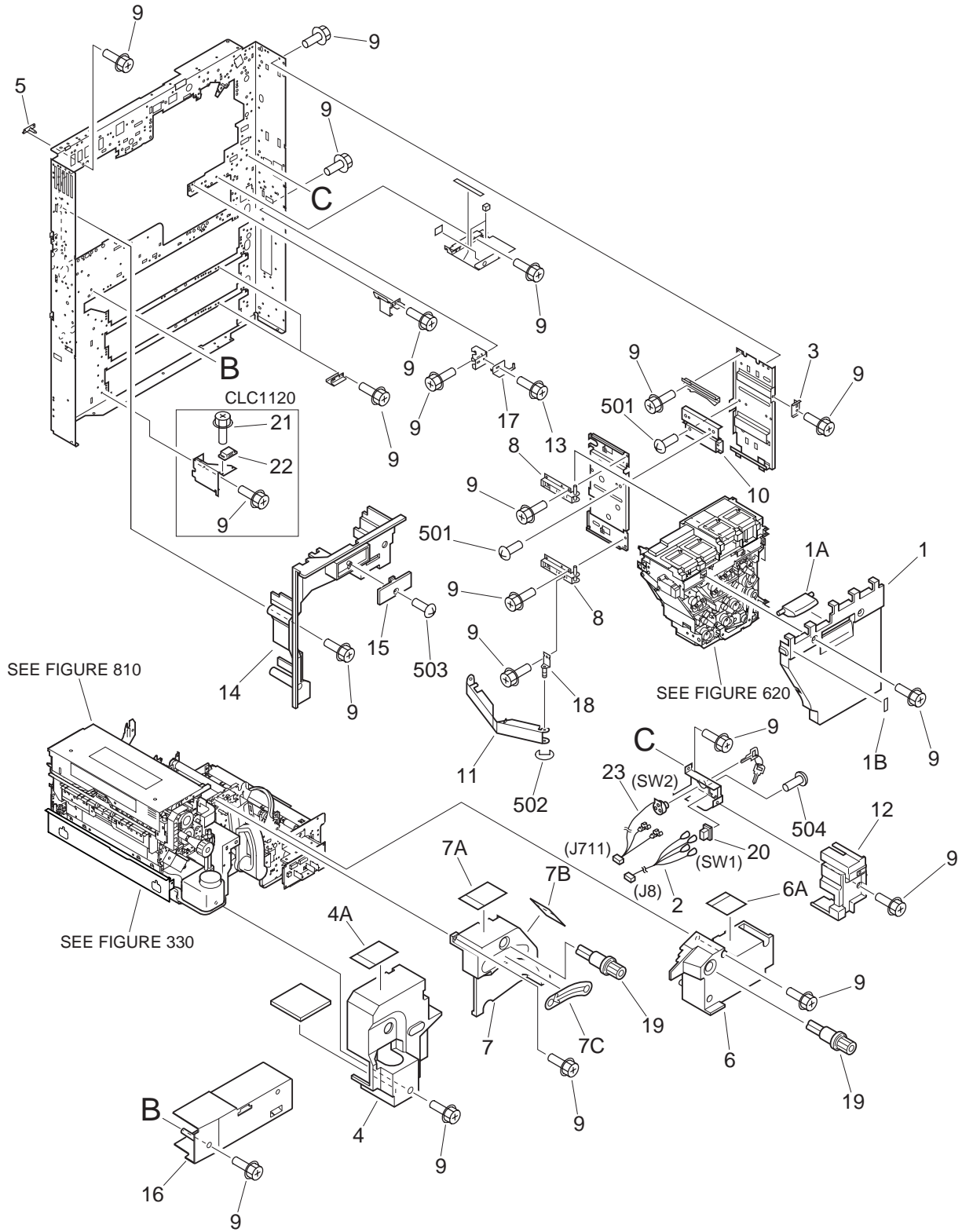


FIGURE & KEY NO.	PART NUMBER	RANK	QTY	DESCRIPTION	SERIAL NUMBER / REMARKS
101 -	NPN		RF	MACHINE FRONT PLATE 1	
1	FF5-9086-000		1	COVER, HOPPER	
1A	FB2-0794-020		1	KNOB, HOPPER	
1B	FS6-8071-000		1	LABEL, "HOPPER ARROW"	
2	FG5-3101-000		1	MAIN SWITCH AC CABLE ASSEMBLY	J8
3	FB2-9912-000		1	PLATE, STOP, SLIDE, RIGHT	
4	FF5-8264-000		1	COVER, FIXING ASSEMBLY	
4A	FS6-8521-000		1	LABEL, JAM CLEARING, 1	
5	FF5-8269-000		1	PIN, POSITIONING, FRONT	
6	FF5-8313-000		1	COVER, HORIZONTAL PATH	
6A	FS6-8524-000		1	LABEL, JAM CLEARING, 4	
7	FF5-8843-000		1	COVER, TRANSFER ASSEMBLY	
7A	FS6-8522-000		1	LABEL, JAM CLEARING, 2	
7B	FS6-8523-000		1	LABEL, JAM CLEARING, 3	
7C	FS6-8528-000		1	LABEL, TRANSFER RELEASE	
8	FF5-4030-000		2	MOUNT, HOPPER	
9	XA9-0629-000		AR	SCREW,RS,M4X8	
10	XZ9-0390-000		1	RAIL, HOPPER	
11	FB2-9115-000		1	GUIDE, CABLE	
12	FB4-4988-000		1	PANEL, MAIN SWITCH	
13	XA9-0721-000		1	SCREW,RS,M4X10	
14	FB4-4989-000		1	COVER, INTERNAL, LEFT UPPER	
15	FB4-4990-000		1	COVER, CONNECTOR	
16	FB4-4980-000		1	PANEL, INTERNAL, LOWER	
17	FF5-8238-000		1	HINGE, DOOR, RIGHT LOWER	
18	FF5-2127-000		1	SUPPORT, GUIDE, CABLE	
19	FB2-0571-000		2	GRIP	
20	FH7-6209-000		1	SWITCH	SW1
21	XA9-0724-000		2	SCREW,RS,M3X8	CLC1120
22	XZ9-0240-000		1	CATCH, MAGNET	CLC1120



FIGURE & KEY NO.	PART NUMBER	R A N K	Q T Y	DESCRIPTION	SERIAL NUMBER / REMARKS
101 - 23	FG5-3122-000		1	MAIN SWITCH CABLE ASSEMBLY	SW2 J711
501	XB1-2400-509		4	SCREW,MACH.,TRUSS HEAD,M4X5	
502	XD2-1100-502		1	RING,E	
503	XB1-2400-607		1	SCREW,MACH.,TRUSS HEAD,M4X6	
504	XB4-6300-609		2	SCREW,TAPPING,PAN HEAD,M3X6	
-----	-----	-----	-----	-----	-----
-----	-----	-----	-----	-----	-----
-----	-----	-----	-----	-----	-----
-----	-----	-----	-----	-----	-----
-----	-----	-----	-----	-----	-----

# FIGURE 102

## MACHINE FRONT PLATE 2

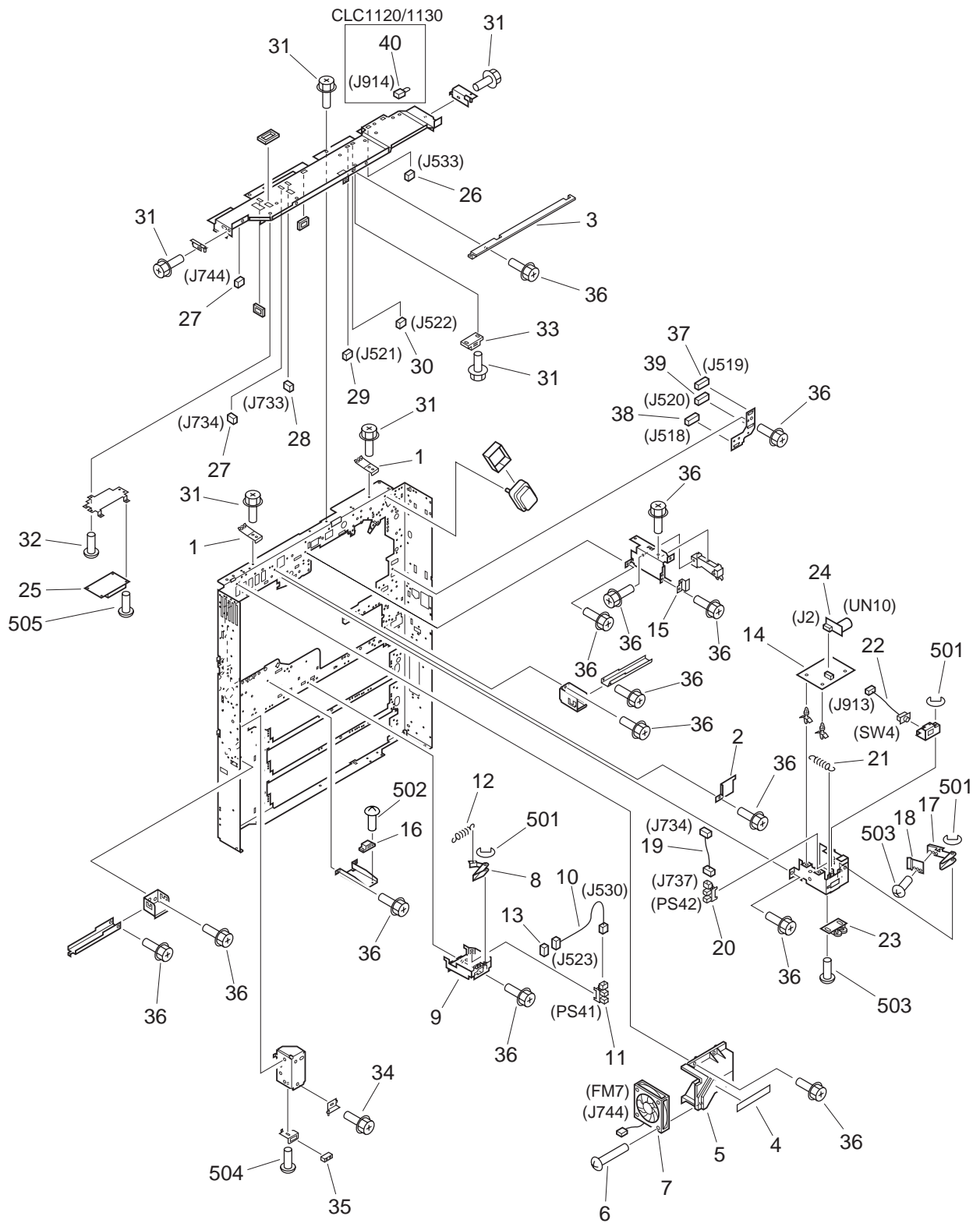


FIGURE & KEY NO.	PART NUMBER	R A N K	Q T Y	DESCRIPTION	SERIAL NUMBER / REMARKS
102 -	NPN		RF	MACHINE FRONT PLATE 2	
1	FB2-9931-020		2	SPRING, GROUNDING	
2	FB2-1450-000		1	PLATE, BLANKING	
3	FB2-2582-000		1	COVER, HOPPER, UPPER	
4	FS6-8529-000		1	LABEL, LASER CAUTION	100/120V
-----					
	FS5-8836-000		1	LABEL, "LASER CAUTION 2"	220/240V
5	FB2-1330-000		1	DUCT, I/P	
6	FC1-6853-000		2	SCREW, M4X35	
7	RH7-1126-000		1	FAN, DC24V	FM7 J744
8	FB2-1402-000		1	LEVER, RIGHT	
-----					
9	FF5-2216-000		1	HOUSING, DOOR SWITCH, RIGHT	
10	FG5-3118-000		1	RIGHT DOOR SWITCH CABLE ASS'Y	J523,530
11	FH7-7312-000		1	PHOTO-INTERRUPTER	PS41 J530
12	FS5-2633-000		1	SPRING, TENSION	
13	VS1-5057-003		1	CONNECTOR, SNAP TIGHT	J523
-----					
14	FG5-3064-000		1	ENV. MEASURING PCB ASSEMBLY	
15	FB2-4454-000		1	PLATE, STOP	
16	XZ9-0251-000		1	CATCH, MAGNET	
17	FB2-1405-000		1	LEVER, LEFT	
18	FB2-1406-000		1	PLATE, SHUTTER LINK	
-----					
19	FG5-3119-000		1	LEFT DOOR SWITCH CABLE ASS'Y	J734,737
20	FH7-7312-000		1	PHOTO-INTERRUPTER	PS42 J737
21	FS5-2579-000		1	SPRING, TENSION	
22	WC8-5051-000		1	SWITCH, PUSH	SW4 J913
23	X71-3186-000		1	CATCH, DOOR	
-----					
24	FH4-5121-000		1	SENSOR, RHV-135	UN10 J2
25	FG6-2404-000		1	CENTRO CONNECTOR PCB ASS'Y	
26	VS1-5057-002		1	CONNECTOR, SNAP TIGHT	J533
27	VS1-5057-003		2	CONNECTOR, SNAP TIGHT	J734,744
28	VS1-5057-004		1	CONNECTOR, SNAP TIGHT	J733

FIGURE & KEY NO.	PART NUMBER	RANK	QTY	DESCRIPTION	SERIAL NUMBER / REMARKS
102 - 29	VS1-5057-005		1	CONNECTOR, SNAP TIGHT	J521
30	VS1-5057-006		1	CONNECTOR, SNAP TIGHT	J522
31	XA9-0724-000		AR	SCREW,RS,M3X8	
32	XA9-0908-000		2	SCREW,MACH.,TRUSS HEAD,M4X8	
33	XZ9-0240-000		1	CATCH, MAGNET	
34	XA9-0721-000		1	SCREW,RS,M4X10	
35	XZ9-0353-000		1	CATCH, MAGNET	
36	XA9-0629-000		AR	SCREW,RS,M4X8	
37	VS1-5057-006		1	CONNECTOR, SNAP TIGHT	J519
38	VS1-5057-007		1	CONNECTOR, SNAP TIGHT	J518
39	VS1-5057-008		1	CONNECTOR, SNAP TIGHT	J520
40	FG6-2432-000		1	SWITCH SHORT CIRCUIT CABLE	CLC1120/1130 J914
501	XD2-1100-402		3	RING,E	
502	XB1-2400-809		2	SCREW,MACH.,TRUSS HEAD,M4X8	
503	XB1-2300-609		2	SCREW,MACH.,TRUSS HEAD,M3X6	
504	XB1-2400-609		1	SCREW,MACH.,TRUSS HEAD,M4X6	
505	XB1-2400-507		4	SCREW,MACH.,TRUSS HEAD,M4X5	

# FIGURE 103

## INTERNAL COMPONENTS 1

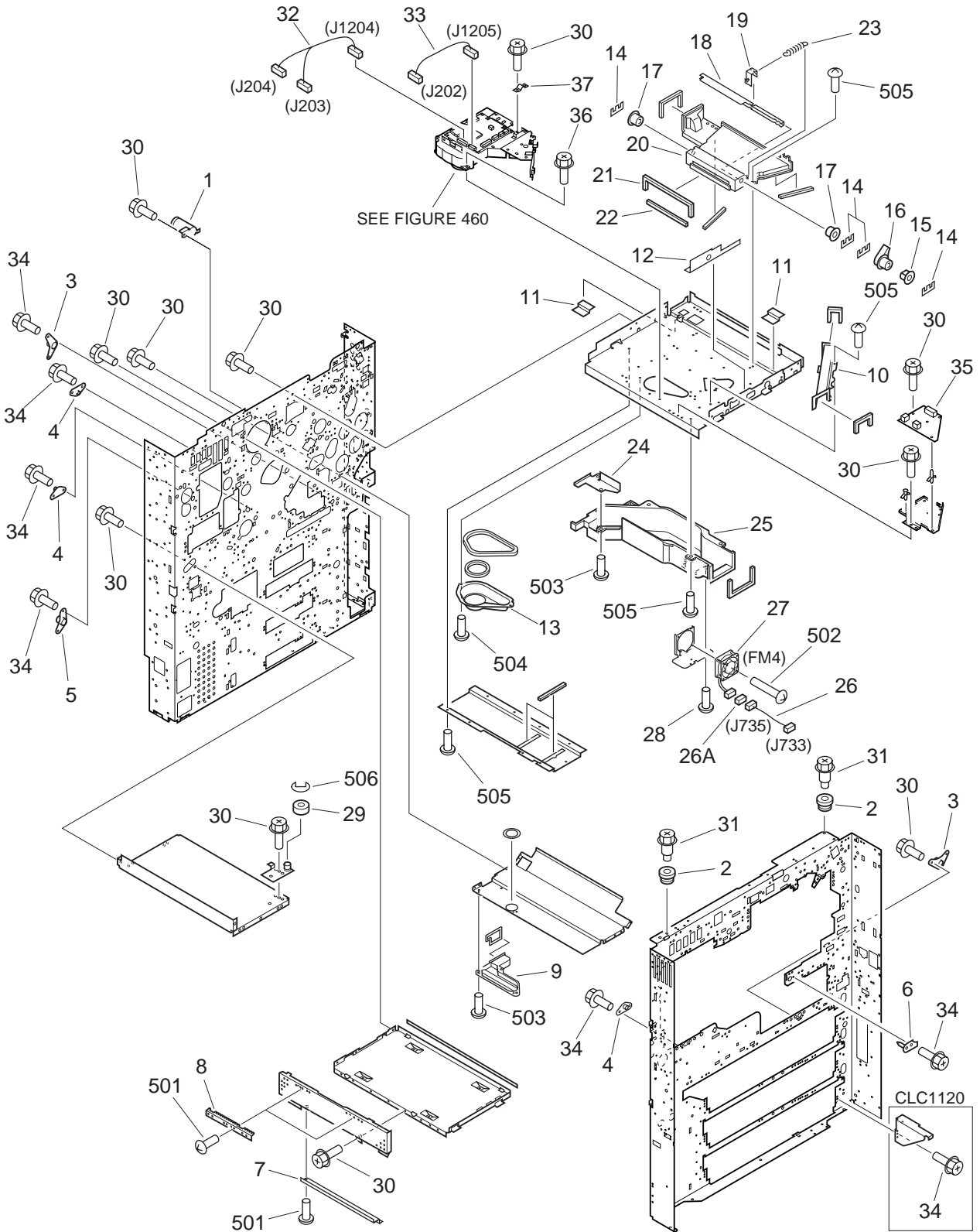


FIGURE & KEY NO.	PART NUMBER	RANK	QTY	DESCRIPTION	SERIAL NUMBER / REMARKS
103 -	NPN		RF	INTERNAL COMPONENTS 1	
1	FB2-1464-000		1	SUPPORT, SHUTTER	
2	FB2-6310-000		2	BUSHING, RUBBER	
3	FB2-6315-000		2	HOLDER, PIN, 2	
4	FB2-6316-000		3	HOLDER, PIN, 1	
5	FB2-6317-000		1	HOLDER, PIN, 3	
6	FF2-4822-000		2	PIN	
7	FB2-4382-000		1	PLATE, GROUNDING	
8	FB3-1144-020		2	PLATE, GROUNDING	
9	FF5-8340-000		1	DUCT, DEVELOPING	
10	FF5-2021-000		1	GUIDE, CHECK	
11	FB4-6639-000		2	SHEET, LIGHT SHIELD	
12	FB4-5135-000		1	SHEET, PARTITION	
13	FF5-8414-000		1	COVER, MOTOR	
14	FA2-8361-000		4	RETAINER	
15	FA5-8743-000		1	BUSHING	
16	FB2-0208-000		1	COLLAR, FRONT	
17	FB2-1382-000		2	COLLAR	
18	FB4-4843-000		1	PLATE, SHUTTER	
19	FB4-4846-000		1	PLATE, SPRING HOOK	
20	FF5-8415-000		1	COVER, OPTICAL UNIT	
21	FB4-5071-000		1	SEAL, LIGHT SHIELD, 1	
22	FB4-5072-000		1	SEAL, LIGHT SHIELD, 2	
23	FS6-2836-000		1	SPRING, TENSION	
24	FB4-4455-000		1	COVER, DUCT	
25	FF5-8256-000		1	DUCT, SCANNER	
26	FG6-2475-000		1	CABLE, SCANNER COOLING FAN	J733,735
26A	VS1-5057-003		1	CONNECTOR, SNAP TIGHT	J735
27	FH6-1588-000		1	FAN	FM4 J735
28	XA9-0870-000		3	SCREW,P,M4X10	

FIGURE & KEY NO.	PART NUMBER	RANK	QTY	DESCRIPTION	SERIAL NUMBER / REMARKS
103 - 29	XG9-0379-000		1	BEARING, BALL	
30	XA9-0629-000		AR	SCREW,RS,M4X8	
31	FS5-9215-000		2	SCREW,STEPPED	
32	FG6-2433-000		1	CABLE,LASER CONT.-IMAGE PRO.,1	J203,204,1204
33	FG6-2434-000		1	CABLE,LASER CONT.-IMAGE PRO.,2	J202,1205
34	XA9-0630-000		AR	SCREW,RS,M4X10	
35	FH6-3902-000		1	SCANNER MOTOR DRIVER PCB ASS'Y	
36	XA9-0722-000		4	SCREW,RS,M4X12	
37	FB3-0890-000		1	PLATE, SHIELD	
501	XB1-2300-606		13	SCREW,MACH.,TRUSS HEAD,M3X6	
502	XB1-2403-009		2	SCREW,MACH.,TRUSS HEAD,M4X30	
503	XB6-7400-609		12	SCREW,TP,M4X6	
504	XB1-2400-409		2	SCREW,MACH.,TRUSS HEAD,M4X4	
505	XB1-2400-609		7	SCREW,MACH.,TRUSS HEAD,M4X6	
506	XD2-1100-642		1	RING,E	





FIGURE & KEY NO.	PART NUMBER	RANK	QTY	DESCRIPTION	SERIAL NUMBER / REMARKS
104 -	NPN		RF	INTERNAL COMPONENTS 2	
1	FB2-0125-000		1	LINK, SHUTTER ACTUATING	
2	FB2-0601-000		1	HOLDER, SLIDE	
3	FH2-6025-000		1	CABLE, BEAM DETECTOR	J1201,1210
4	FB2-0485-000		1	PIN, SLIDE, 2	
5	XZ9-0391-020		1	RAIL, HOUSING	
6	XZ9-0391-020		1	RAIL, HOUSING	
7	FB2-0485-000		1	PIN, SLIDE, 2	
8	FS5-9210-000		2	SCREW, STEPPED, M4	
9	XA9-0629-000		AR	SCREW, RS, M4X8	
10	FC1-4747-000		2	HOLDER, RAIL	CLC1150
11	FS5-6254-000		1	ROLLER, RAIL	CLC1150
12	FB4-4849-000		1	PLATE, RETAINER, FRONT	
13	FB4-4850-000		1	PLATE, RETAINER, REAR	
14	FF5-8416-000		1	HOLDER, MIRROR	
15	FN5-4009-000		1	MIRROR, DIGITAL	
16	XA9-0848-000		2	SETSCREW, M4X6	
17	FG6-0963-000		1	BEAM DETECT ASSEMBLY	
18	FB4-3955-000		1	ARM, DECK RELEASE	CLC1150
19	FB4-5335-000		1	ROLLER, CAM	CLC1150
20	FS5-6254-000		1	ROLLER, RAIL	CLC1150
21	FS6-2667-000		1	SPRING, TENSION	CLC1150
22	FS6-2741-000		1	SPRING, TORSION	CLC1150
23	FB4-6639-000		2	SHEET, LIGHT SHIELD	
24	FB4-5139-000		1	SEAL, CROSSMEMBER	
25	FG6-2411-000		1	DEV. PRESS. DRIVER PCB ASS'Y	
26	FS5-8834-000		2	LABEL, "LASER CAUTION"	220/240V
27	RB1-3148-000		8	RIVET	
28	FB4-4339-000		2	BLOCK, PAPER FEEDER SUPPORT	CLC1150
29	FB4-7843-000		1	BUTTON	CLC1150

FIGURE & KEY NO.	PART NUMBER	R A N K	Q T Y	DESCRIPTION	SERIAL NUMBER / REMARKS
104 - 30	FB3-0890-000		1	PLATE, SHIELD	
501	XB1-2400-607		4	SCREW,MACH.,TRUSS HEAD,M4X6	
502	XB6-7400-609		11	SCREW,TP,M4X6	
503	XD2-1100-642		2	RING,E	CLC1150
504	XB1-2400-609		AR	SCREW,MACH.,TRUSS HEAD,M4X6	
505	XB6-7400-605		2	SCREW,TP,M4X6	
506	XD2-1100-502		1	RING,E	CLC1150
507	XD2-1100-402		2	RING,E	CLC1150
508	XB1-2400-607		2	SCREW,MACH.,TRUSS HEAD,M4X6	

# FIGURE 105

## INTERNAL COMPONENTS 3

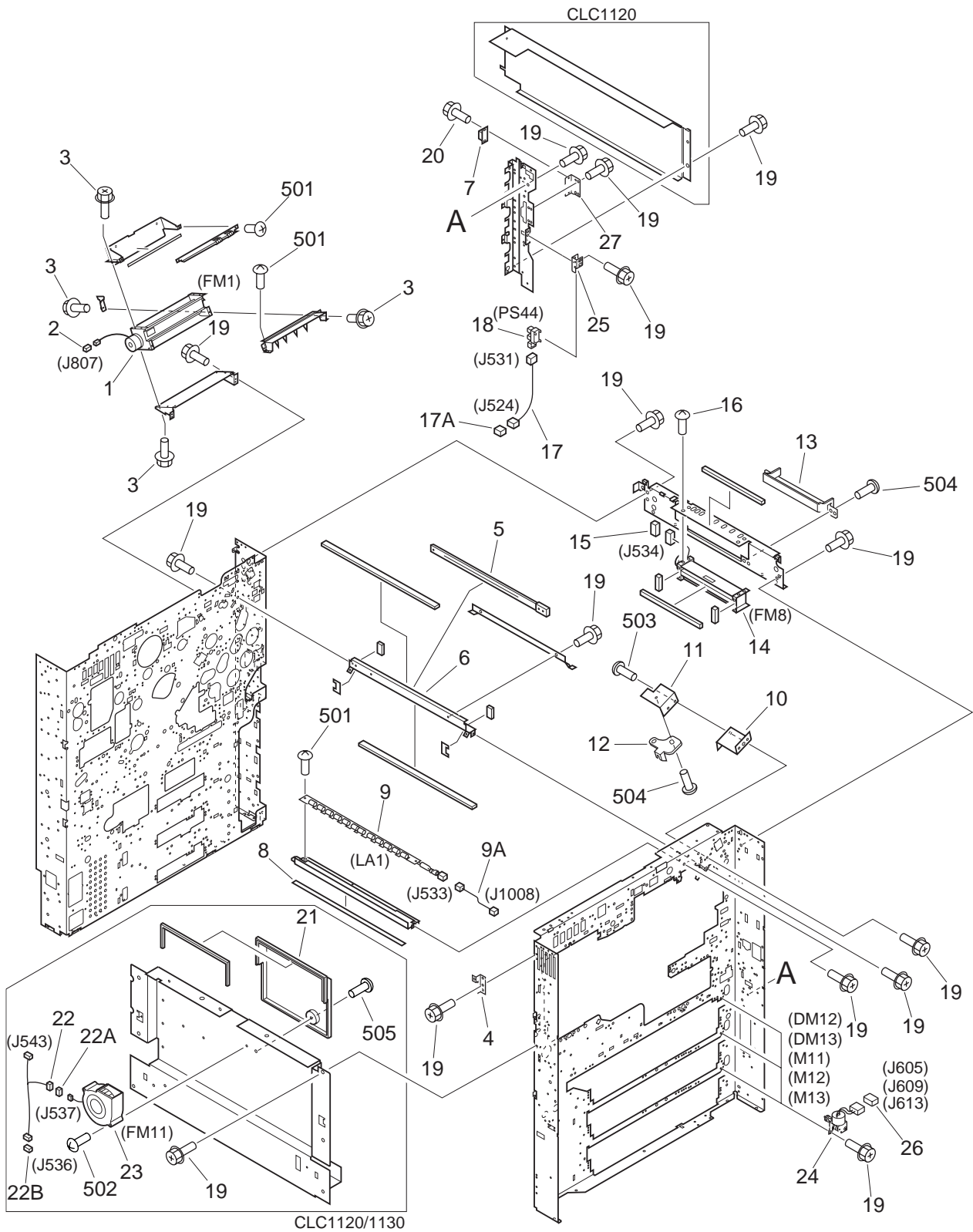


FIGURE & KEY NO.	PART NUMBER	RANK	QTY	DESCRIPTION	SERIAL NUMBER / REMARKS
105 -	NPN		RF	INTERNAL COMPONENTS 3	
1	FH6-1575-000		1	FAN	FM1 J807
2	VS1-5057-003		1	CONNECTOR, SNAP TIGHT	J807
3	XA9-0686-000		9	SCREW,RS,M3X6	
4	FB2-4444-000		1	PLATE, COPYBOARD	
5	FF5-2017-030		1	GLASS, DUST-PROOF	
6	FF5-2023-020		1	RAIL, DUST-PROOF GLASS	
7	XZ9-0394-000		1	CATCH, MAGNET	
8	FB2-0392-000		1	FILTER, PRE-CONDITIONING	
9	FG5-3181-000		1	LAMP ARRAY ASSEMBLY	LA1
9A	FG5-3182-000		1	CABLE, PRE-COND.LAMP	J533,1008
10	FB2-0188-000		1	PLATE, MIRROR SUPPORT, 1	
11	FB2-0189-000		1	PLATE, MIRROR SUPPORT, 2	
12	FF5-8412-000		1	MIRROR, BEAM DETECT	
13	FB4-6640-000		1	DUCT, COOLING FAN	
14	FH6-1581-000		1	FAN	FM8 J534
15	VS1-5057-003		1	CONNECTOR, SNAP TIGHT	J534
16	XA9-1039-000		4	SCREW,C,M3X6	
17	FG6-2479-000		1	CABLE, RIGHT DOOR CONNECTING	J524,531
17A	VS1-5057-003		1	CONNECTOR, SNAP TIGHT	J524
18	FH7-7394-000		1	PHOTO-INTERRUPTER	PS44 J531
19	XA9-0629-000		AR	SCREW,RS,M4X8	
20	XA9-0724-000		2	SCREW,RS,M3X8	
21	FF5-8268-000		1	DUCT, DELIVERY	CLC1120/1130
22	FG6-2458-000		1	CABLE, DELIVERY FAN	CLC1120/1130 J536,537,543
22A	VS1-5057-003		1	CONNECTOR, SNAP TIGHT	CLC1120/1130 J537
22B	VS1-5057-006		1	CONNECTOR, SNAP TIGHT	CLC1120/1130 J536
23	FH6-1583-000		1	FAN	CLC1120/1130 FM11 J537
24	FH6-1574-000		2	MOTOR, DC24V	CLC1120 M11,12 J605,609
	FH6-1574-000		3	MOTOR, DC24V	CLC1130 M11-13 J605,609,613

FIGURE & KEY NO.	PART NUMBER	RANK	QTY	DESCRIPTION	SERIAL NUMBER / REMARKS
105 - 24	FH6-1574-000		2	MOTOR, DC24V	CLC1150 DM12,13 J609,613
25	FB4-5179-000		1	PLATE, SENSOR MOUNT	
26	VS1-5057-002		2	CONNECTOR, SNAP TIGHT	CLC1120 J605,609 CLC1150 J609,613
	VS1-5057-002		3	CONNECTOR, SNAP TIGHT	CLC1130 J605,609,613
27	FB4-5196-000		1	MOUNT, MAGNET	
501	XB1-2300-609		7	SCREW,MACH.,TRUSS HEAD,M3X6	
502	XB1-2403-509		2	SCREW,MACH.,TRUSS HEAD,M4X35	CLC1120/1130
503	XB1-2400-609		2	SCREW,MACH.,TRUSS HEAD,M4X6	
504	XB6-7400-609		3	SCREW,TP,M4X6	
505	XB2-8400-806		1	SCREW,W/WASHER,M4X8	CLC1120/1130

# FIGURE 106

## INTERNAL COMPONENTS 4

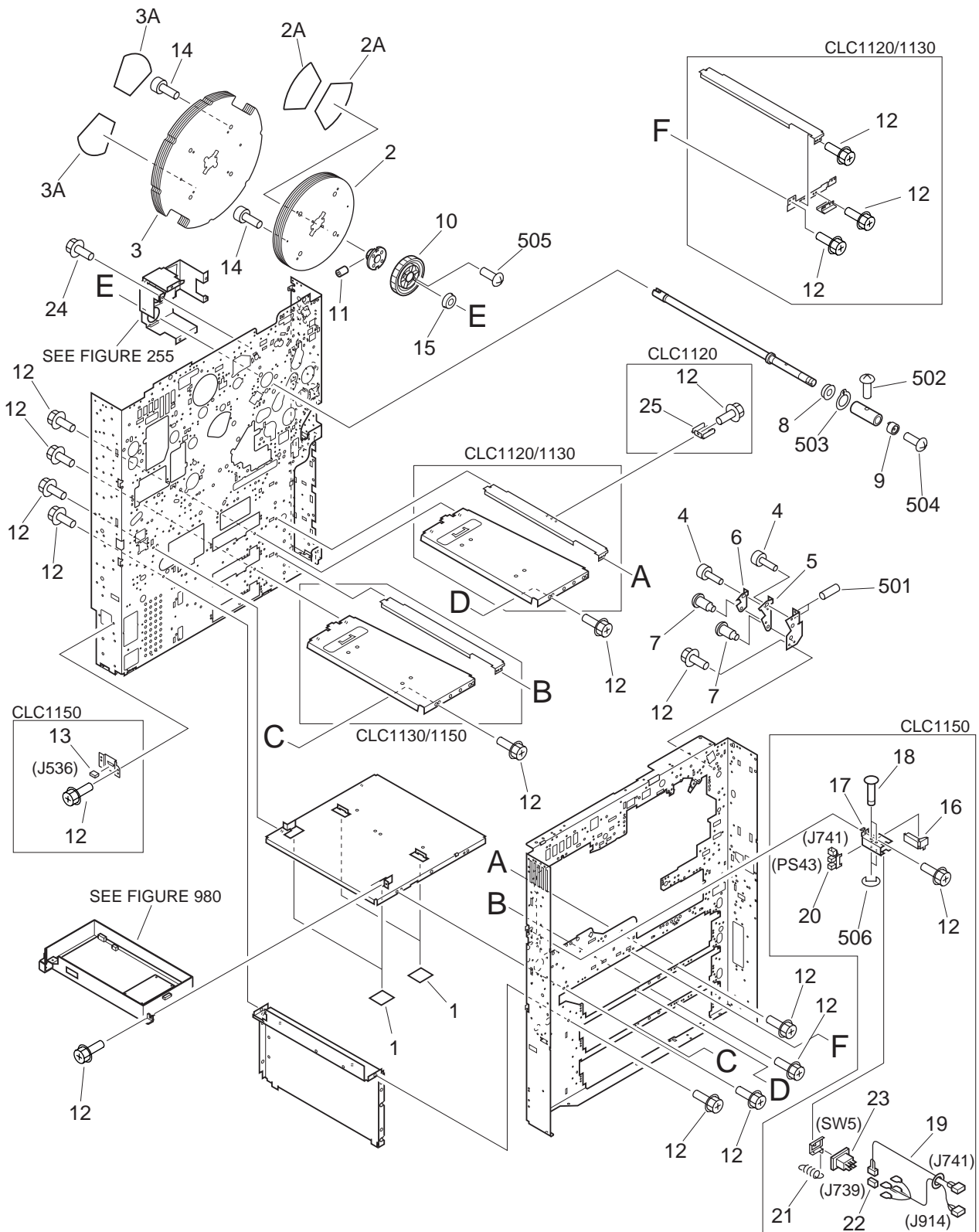


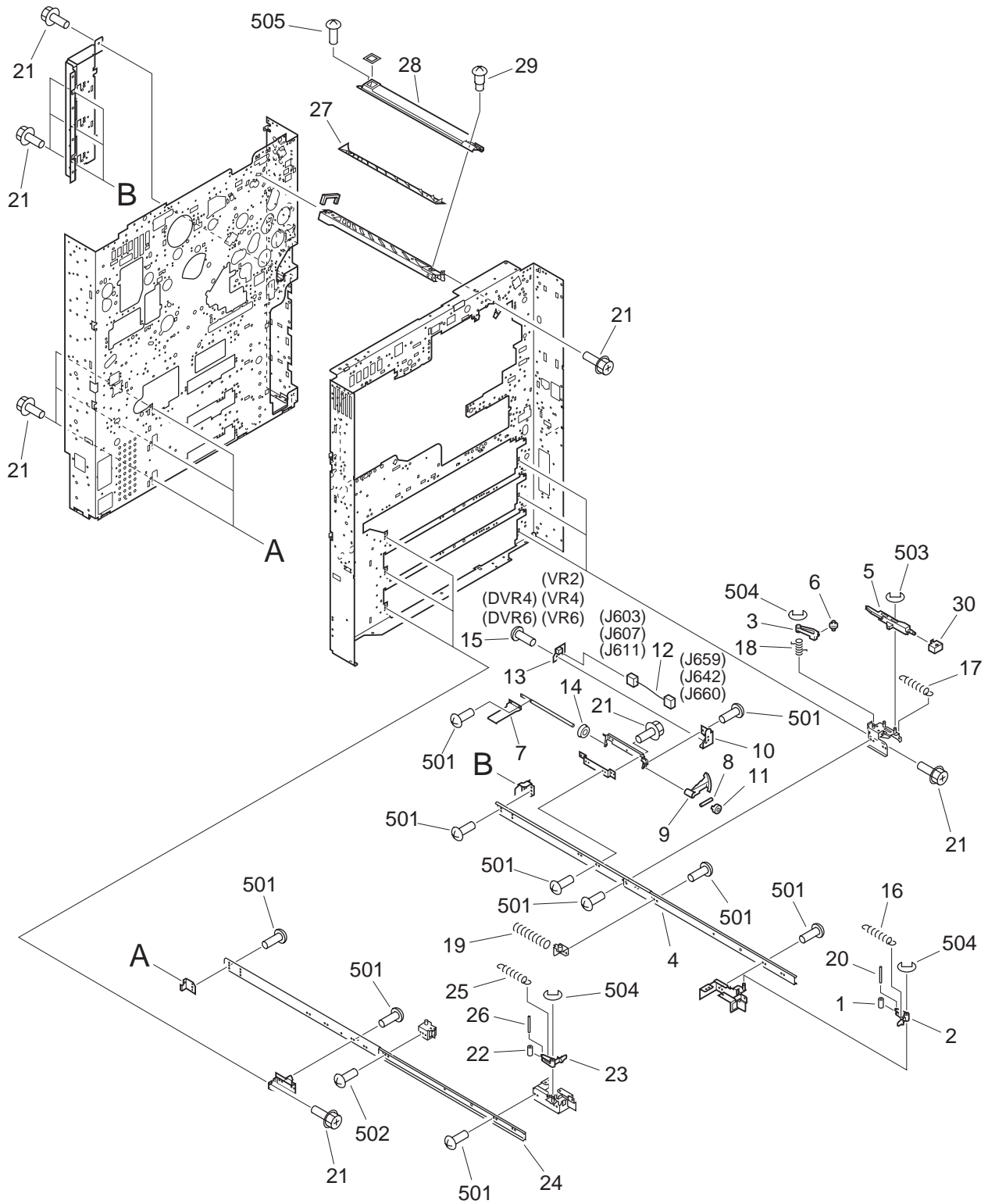
FIGURE & KEY NO.	PART NUMBER	RANK	QTY	DESCRIPTION	SERIAL NUMBER / REMARKS
106 -	NPN		RF	INTERNAL COMPONENTS 4	
1	FB3-8221-000		4	SHEET	
2	FF5-8828-000		1	FLYWHEEL, SMALL	
2A	FS6-8531-000		2	LABEL, WEIGHT WARNING	
3	FF5-8829-000		1	FLYWHEEL, LARGE	
3A	FS6-8530-000		2	LABEL, WEIGHT WARNING	
4	FA9-2604-000		2	SET SCREW, M4X8	
5	FB4-5155-000		1	PLATE, MIRROR ADJUSTING, 1	
6	FB4-5156-000		1	PLATE, MIRROR ADJUSTING, 2	
7	FS2-9267-000		2	SCREW, STEPPED, M4	
8	XG9-0301-000		1	BEARING, ROLLER	
9	FB4-4013-000		1	BLOCK, FRONT STOP	
10	FS7-0141-000		1	GEAR, 140T	
11	XA9-0884-000		2	SETSCREW,M5X8	
12	XA9-0629-000		AR	SCREW,RS,M4X8	
13	VS1-5057-006		1	CONNECTOR, SNAP TIGHT	CLC1150 J536
14	XA9-0796-000		4	SCREW,ALLEN HEAD,M5X10	
15	XG9-0301-000		1	BEARING, ROLLER	
16	FB2-4430-040		1	LEVER, SWITCH	CLC1150
17	FB2-4432-000		1	BOX, SWITCH	CLC1150
18	FB2-8890-000		2	SHAFT, SWING	CLC1150
19	FG5-3120-000		1	CABLE, DOOR SWITCH	CLC1150 J739,741,914
20	FH7-7312-000		1	PHOTO-INTERRUPTER	CLC1150 PS43 J741
21	FS5-2601-000		1	SPRING, TENSION	CLC1150
22	VS1-5057-003		1	CONNECTOR, SNAP TIGHT	CLC1150 J739
23	WC8-5051-000		1	SWITCH, PUSH	CLC1150 SW5
24	XA9-0630-000		AR	SCREW,RS,M4X10	
25	FB4-5215-000		1	PLATE, STOP	CLC1120
501	XB6-2401-008		2	SETSCREW,M4X10	
502	XB6-7401-009		1	SCREW,TP,M4X10	

FIGURE & KEY NO.	PART NUMBER	R A N K	Q T Y	DESCRIPTION	SERIAL NUMBER / REMARKS
106 - 503	XD2-3100-252		1	RING,C,EXTERNAL	CLC1150
504	XB1-2401-207		1	SCREW,MACH.,TRUSS HEAD,M4X12	
505	XB6-7501-409		2	SCREW,TP,M5X14	
506	XD2-1100-322		2	RING,E	



# FIGURE 107

## INTERNAL COMPONENTS 5



NOTE : For the cassette rail, the list indicates the quantity for a single cassette holder.

FIGURE & KEY NO.	PART NUMBER	RANK	QTY	DESCRIPTION	SERIAL NUMBER / REMARKS
107 -	NPN		RF	INTERNAL COMPONENTS 5	SEE NOTE
1	FA9-1969-000		1	ROLLER, TRANSFER	
2	FB3-9356-000		1	LEVER, CASSETTE, RIGHT	
3	FB4-3699-000		1	ARM, CASSETTE RELEASE	
4	FB4-4576-000		1	RAIL, CASSETTE	
5	FB4-4663-000		1	BUTTON, CASSETTE RELEASE	
6	FB4-5335-000		2	ROLLER, CAM	
7	FB4-1355-000		1	PLATE, LIFTING	
8	FA5-2924-000		1	PIN,DOWEL	
9	FB4-2018-000		1	GEAR, 16T	
10	FB4-2023-000		1	HOLDER, PAPER SENSOR PCB	
11	FB4-2024-000		1	COUPLING	
12	FG6-1906-000		1	CABLE, CASSETTE PAPER SENSOR	CLC1120 J603,607,642,659 CLC1130 J603,607,611 J642,659 CLC1150 J607,611,642,660
13	FG6-1941-000		1	PAPER SENSOR PCB ASSEMBLY	CLC1120 VR2,4 CLC1130 VR2,4,6 CLC1150 DVR4,6
14	FS5-1787-000		1	BUSHING	
15	XA9-0673-000		1	SCREW,TAPP.,TRUSS HEAD,M3X4.5	
16	FS6-2667-000		1	SPRING, TENSION	
17	FS6-2740-000		1	SPRING, TENSION	
18	FS6-2741-000		1	SPRING, TORSION	
19	FS6-2844-000		1	SPRING, COMPRESSION	
20	FS6-4243-000		1	SHAFT, ROLLER	
21	XA9-0629-000		AR	SCREW,RS,M4X8	
22	FA9-1969-000		1	ROLLER, TRANSFER	
23	FB4-0650-000		1	LEVER, CASSETTE, LEFT	
24	FB4-4576-000		1	RAIL, CASSETTE	
25	FS6-2667-000		1	SPRING, TENSION	
26	FS6-4243-000		1	SHAFT, ROLLER	

FIGURE & KEY NO.	PART NUMBER	RANK	QTY	DESCRIPTION	SERIAL NUMBER / REMARKS
107 - 27	FB4-4736-000		1	GUIDE, PRIMARY RECTIFICATION	
28	FF5-8407-000		1	DUCT, PRIMARY FAN	
29	FS1-9010-000		1	SCREW, STEPPED, M3X2.2	
30	FB4-7843-000		1	BUTTON	
501	XB1-2400-409		AR	SCREW, MACH., TRUSS HEAD, M4X4	
502	XB1-2400-609		3	SCREW, MACH., TRUSS HEAD, M4X6	
503	XD2-1100-402		4	RING, E	
504	XD2-1100-502		3	RING, E	
505	XB1-2400-609		1	SCREW, MACH., TRUSS HEAD, M4X6	

# FIGURE 108

## MACHINE REAR PLATE 1

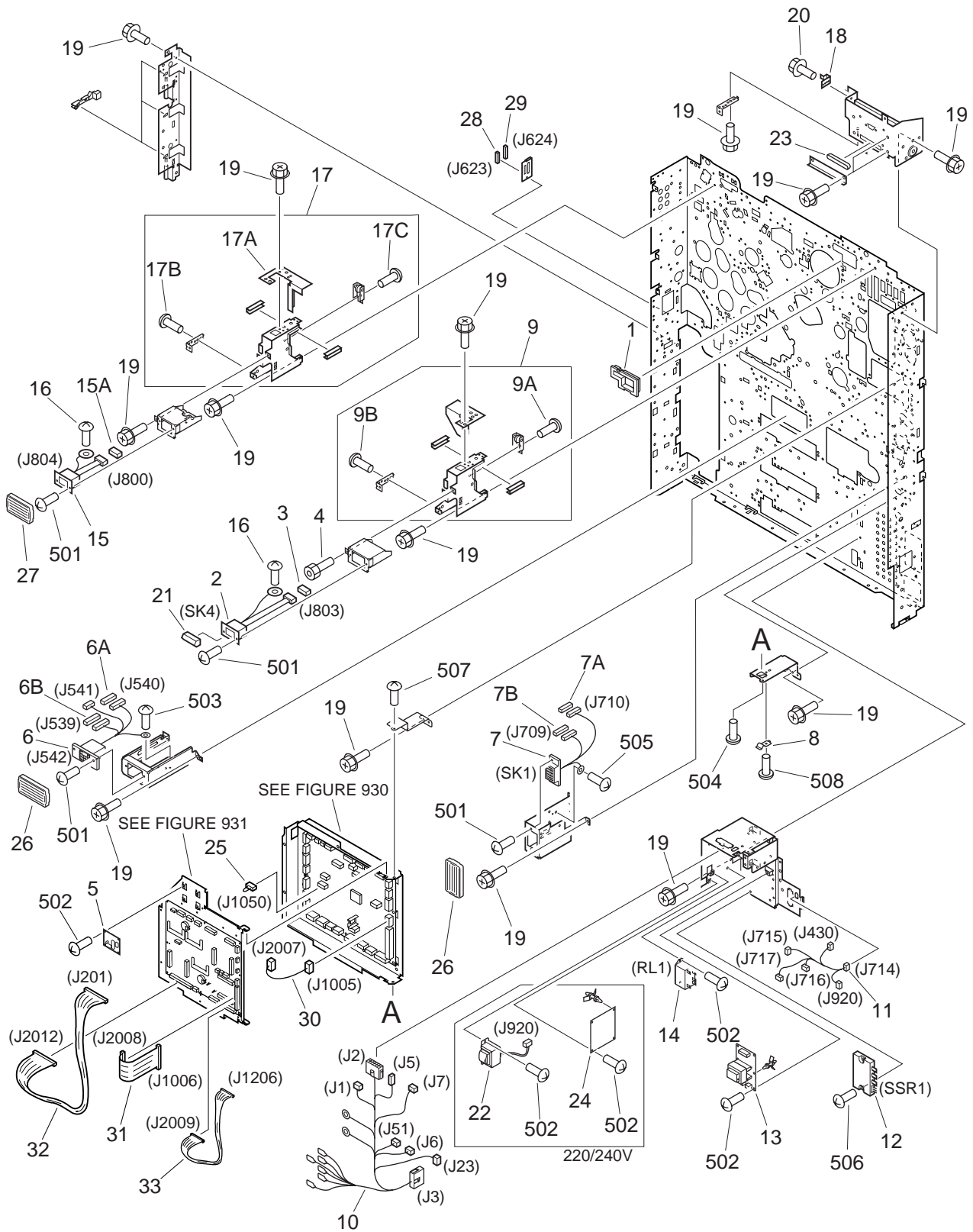


FIGURE & KEY NO.	PART NUMBER	RANK	QTY	DESCRIPTION	SERIAL NUMBER / REMARKS
108 -	NPN		RF	MACHINE REAR PLATE 1	
1	FB2-0107-000		1	CAP, CABLE, UPPER	
2	FG5-3156-000		1	CABLE, EDITOR SOCKET	SK4 J803
3	VS1-5057-012		1	CONNECTOR, SNAP TIGHT	J803
4	WS9-0110-000		1	STOP, SCREW LOCK	
5	FG6-2403-000		1	ECO PCB ASSEMBLY	
6	FG6-2477-000		1	CABLE, DECK CONNECTOR	J539-542
6A	VS1-5057-011		1	CONNECTOR, SNAP TIGHT	J540
6B	VS1-5057-012		1	CONNECTOR, SNAP TIGHT	J539
7	FG6-2478-000		1	CABLE, SORTER CONNECTOR	SK1,J709,710
7A	VS1-5057-010		1	CONNECTOR, SNAP TIGHT	J710
7B	VS1-5057-012		1	CONNECTOR, SNAP TIGHT	J709
8	FB4-3924-000		1	SPRING, LEAF	
9	FG6-0954-000		1	LEFT DF MOUNT UNIT	
9A	XB6-7400-609		1	SCREW,TP,M4X6	
9B	XB1-2400-609		2	SCREW,MACH.,TRUSS HEAD,M4X6	
10	FG6-2446-000		1	CABLE, SSR AC	100V J1-3,5-7
	FG6-2447-000		1	CABLE, SSR AC	120V J1-3,5-7
	FG6-2448-000		1	CABLE, SSR AC	220/240V J1-3,5-7,23,51
11	FG6-2503-000		1	CABLE, SSR DC	100/120V J430,714,715,920
12	FG6-2504-000		1	CABLE, SSR DC	220/240V J430,714-717,920
	FH4-6056-000		1	SSR	100/120V SSR1
	FH4-6021-000		1	SSR	220/240V SSR1
13	FH6-3904-000		1	PUMP DRIVER PCB UNIT	
14	FH7-6208-000		1	RELAY, AC250V	RL1
15	FG6-2476-000		1	CABLE, RF SOCKET	J800,804
15A	VS1-5057-006		1	CONNECTOR, SNAP TIGHT	J800
16	XA9-0633-000		2	SCREW,W/WASHER,M4X8	
17	FG6-1048-000		1	RIGHT DF MOUNT UNIT	
17A	FB2-6339-000		1	PLATE, SUPPORT	

FIGURE & KEY NO.	PART NUMBER	RANK	QTY	DESCRIPTION	SERIAL NUMBER / REMARKS
108 - 17B	XB1-2400-609		2	SCREW,MACH.,TRUSS HEAD,M4X6	
17C	XB6-7400-609		1	SCREW,TP,M4X6	
18	FB3-1404-000		1	PLATE, GROUNDING	
19	XA9-0629-000		AR	SCREW,RS,M4X8	
20	XA9-0642-000		4	SCREW,RS,M3X6	
21	WT2-5304-000		1	CAP, DUST	
22	FH3-0905-000		1	TRANSFORMER UNIT	220/240V J920
23	WT2-5382-000		1	COVER, DUST	
24	FG6-2508-000		1	FIX. SSR CONT. BOARD PCB ASS'Y	220/240V
25	FG6-2535-000		1	CABLE, SHORT	100/120V J1050
	FG6-2536-000		1	CABLE, SHORT	220/240V J1050
26	FH2-5831-000		2	COVER, CONNECTOR	
27	FH2-5824-000		1	COVER, CONNECTOR, 1	
28	VS1-5057-012		1	CONNECTOR, SNAP TIGHT	J623
29	VS1-5057-014		1	CONNECTOR, SNAP TIGHT	J624
30	FG6-2435-000		1	CABLE, DC DRIVER CPU	J1005,2007
31	FF5-7958-000		1	CABLE, DC-CPU	J1006,2008
32	FF5-7959-000		1	CABLE, CPU-IP	J201,2012
33	FF5-7960-000		1	CABLE, CPU-LC	J1206,2009
501	XB1-2300-606		8	SCREW,MACH.,TRUSS HEAD,M3X6	
502	XB1-2400-607		AR	SCREW,MACH.,TRUSS HEAD,M4X6	
503	XB1-2400-606		1	SCREW,MACH.,TRUSS HEAD,M4X6	
504	XB1-2400-809		1	SCREW,MACH.,TRUSS HEAD,M4X8	
505	XB1-2400-606		3	SCREW,MACH.,TRUSS HEAD,M4X6	
506	XB2-8401-009		2	SCREW,W/WASHER,M4X10	
507	XB1-2401-209		1	SCREW,MACH.,TRUSS HEAD,M4X12	
508	XB1-2400-609		1	SCREW,MACH.,TRUSS HEAD,M4X6	

# FIGURE 109

## MACHINE REAR PLATE 2

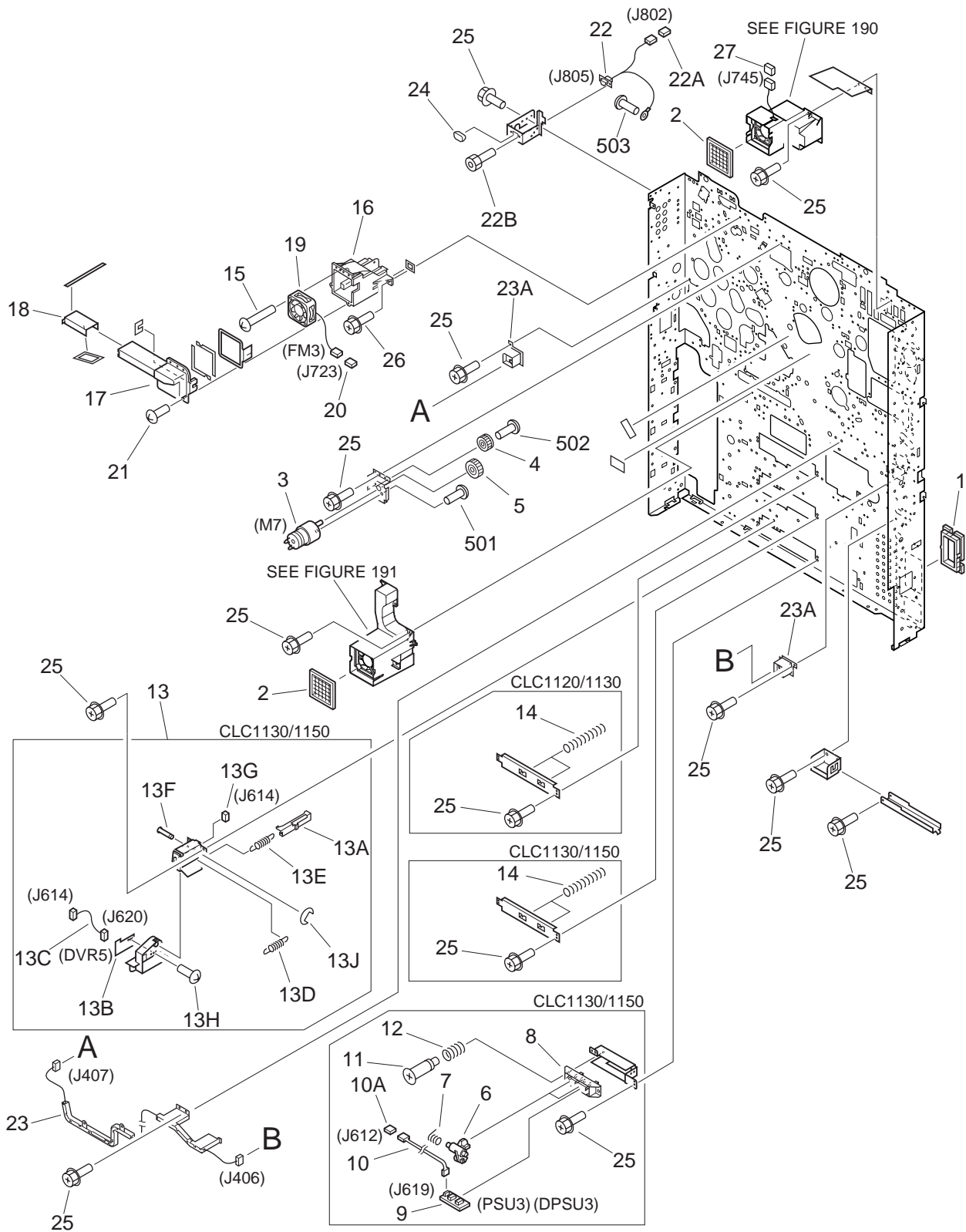


FIGURE & KEY NO.	PART NUMBER	RANK	QTY	DESCRIPTION	SERIAL NUMBER / REMARKS
109 -	NPN		RF	MACHINE REAR PLATE 2	
1	FB2-0105-000		1	CAP, COVER	
2	FB2-4397-020		2	FILTER, OZON	
3	FH6-1361-000		1	MOTOR, DC24V	M7
4	FS5-0667-000		1	GEAR, CAM	
5	FS5-0668-000		1	GEAR, 28T	
6	FB1-8735-000		2	ARM, SENSOR	CLC1130/1150
7	FB1-8737-000		2	SPRING, TORSION	CLC1130/1150
8	FB3-9364-000		1	HOLDER, SWITCH	CLC1130/1150
9	FG5-8221-000		1	CASSETTE PAPER SENSOR ASSEMBLY	CLC1130 PSU3 CLC1150 DPSU3
10	FG5-5031-000		1	CABLE, CASSETTE	CLC1130/1150 J612 J619
10A	VS1-5057-004		1	CONNECTOR, SNAP TIGHT	CLC1130/1150 J612
11	FS2-9327-000		2	SCREW, STEPPED, M4	CLC1130/1150
12	FS3-2044-000		2	SPRING, COMPRESSION	CLC1130/1150
13	FG6-0871-000		1	PAPER WIDTH SENSOR UNIT	CLC1130/1150
13A	FB3-9363-000		1	SHAFT, SLIDE	CLC1130/1150
13B	FG5-1957-000		1	CASSETTE VR PCB ASSEMBLY	CLC1130/1150 DVR5
13C	FG5-1947-000		1	CABLE, CASSETTE VR	J614,620 CLC1130/1150
13D	FS5-2322-000		1	SPRING, TENSION	CLC1130/1150
13E	FS5-2323-020		1	SPRING, TENSION	CLC1130/1150
13F	FS5-7128-000		1	SHAFT	CLC1130/1150
13G	VS1-5057-003		1	CONNECTOR, SNAP TIGHT	CLC1130/1150 J614
13H	XB4-7400-809		1	SCREW, TAPPING, TRUSS HEAD, M4X8	CLC1130/1150
13J	XD2-1100-502		1	RING, E	CLC1130/1150
14	FS6-2862-000		2	SPRING, COMPRESSION	CLC1120/1150
	FS6-2862-000		4	SPRING, COMPRESSION	CLC1130
15	FC1-6853-000		3	SCREW, M4X35	
16	FF5-8403-000		1	DUCT, PRIMARY FAN, 1	
17	FF5-8404-000		1	COVER, PRIMARY DUCT	
18	FF5-8405-000		1	MOUNT, PRIMARY FILTER	



FIGURE & KEY NO.	PART NUMBER	RANK	QTY	DESCRIPTION	SERIAL NUMBER / REMARKS
109 - 19	FH6-1579-000		1	FAN	FM3 J723
20	VS1-5057-003		1	CONNECTOR, SNAP TIGHT	J723
21	XA9-0605-000		3	SCREW,P,M4X8	
22	FG5-3152-000		1	CABLE, PROJECTOR SOCKET	J802,805
22A	VS1-5057-006		1	CONNECTOR, SNAP TIGHT	J802
22B	WS9-0110-000		1	STOP, SCREW LOCK	
23	FG6-0785-000		1	CABLE, DEVELOPING BIAS CONNECT	J406,407
23A	FB4-3935-000		2	HOLDER, CONNECTOR	
24	WT2-5308-000		1	CAP, DUST	
25	XA9-0629-000		AR	SCREW,RS,M4X8	
26	XA9-0630-000		AR	SCREW,RS,M4X10	
27	VS1-5057-003		1	CONNECTOR, SNAP TIGHT	J745
501	XB1-2300-507		3	SCREW,MACH.,TRUSS HEAD,M3X5	
502	XB6-7400-609		1	SCREW,TP,M4X6	
503	XB1-2400-606		1	SCREW,MACH.,TRUSS HEAD,M4X6	

# FIGURE 110

## MACHINE REAR PLATE 3

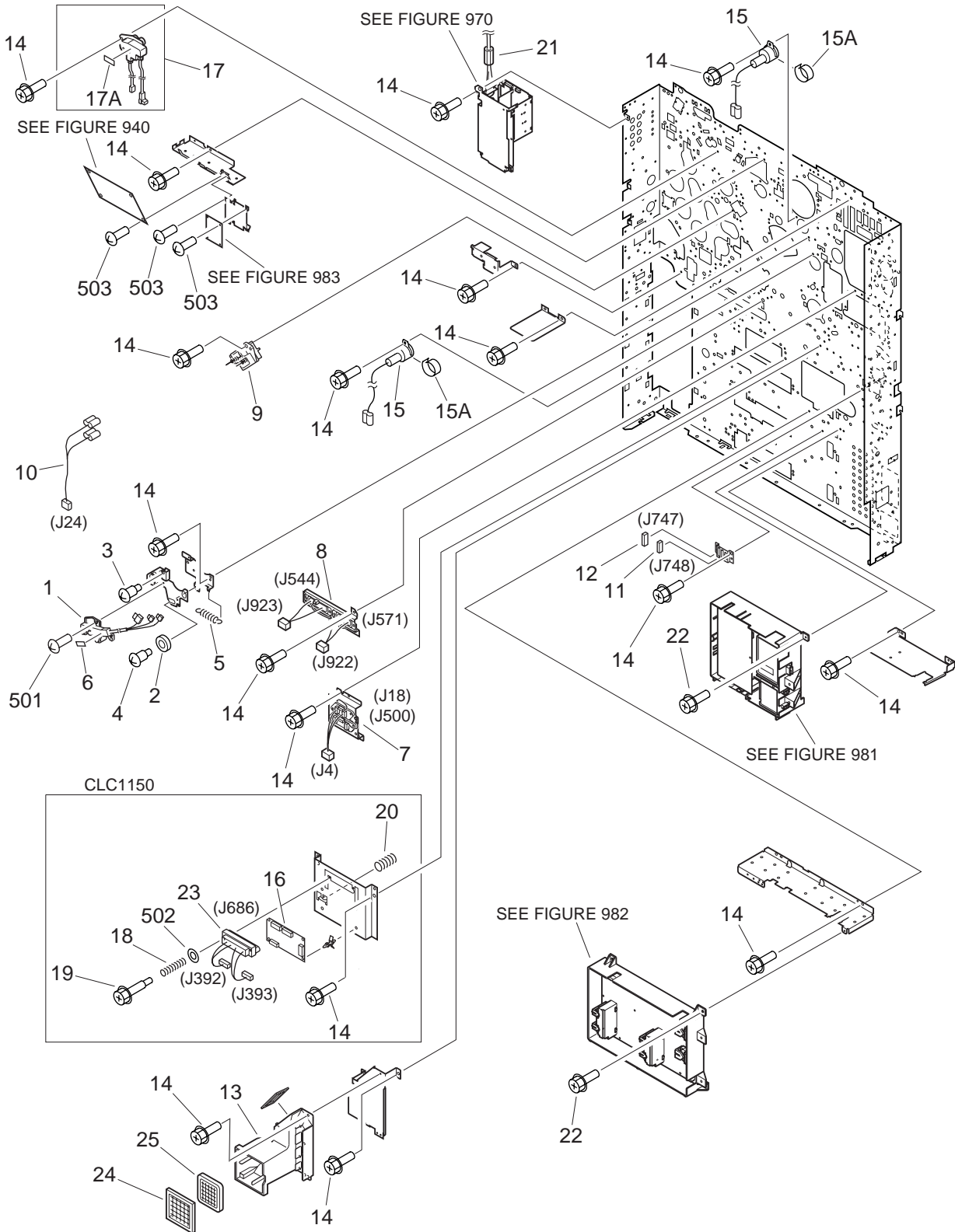


FIGURE & KEY NO.	PART NUMBER	RANK	QTY	DESCRIPTION	SERIAL NUMBER / REMARKS
110 -	NPN		RF	MACHINE REAR PLATE 3	
1	FH2-9217-000		1	CONNECTOR, HIGH VOLTAGE	
2	FS1-1205-000		1	BUSHING	
3	FS1-9168-000		1	SCREW, STEPPED, M4X5	
4	FS2-9001-000		1	SCREW, STEPPED, M4	
5	FS5-2605-000		1	SPRING, TENSION	
6	ME1-0038-000		1	LABEL, "WARNING, HIGH VOLTAGE"	
7	FG6-0863-000		1	FIXING DRAWER CABLE UNIT	J4,18,500
8	FG6-0948-000		1	CABLE, TRANSFER FRAME DRAWER	J544,571,922,923
9	FG6-1043-000		1	BRUSH CASE ASSEMBLY	
10	FG6-2445-000		1	CABLE, DRUM HEATER	J24
11	VS1-5057-007		1	CONNECTOR, SNAP TIGHT	J748
12	VS1-5057-008		1	CONNECTOR, SNAP TIGHT	J747
13	FB4-4450-000		1	DUCT, MAIN, LOWER	
14	XA9-0629-000		AR	SCREW, RS, M4X8	
15	FF5-8840-000		2	HIGH VOLTAGE CONNECTOR UNIT, S	
15A	FS6-8078-000		2	LABEL, "CAUTION"	
16	FG6-2412-000		1	DUPLEX DRIVER PCB ASSEMBLY	CLC1150
17	FG6-1061-000		1	CABLE, HIGH VOLTAGE UNIT, 2	
17A	ME1-0038-000		1	LABEL, "WARNING, HIGH VOLTAGE"	
18	FS5-2965-000		2	SPRING, COMPRESSION	CLC1150
19	FS5-9282-000		2	SCREW, STEPPED	CLC1150
20	FS6-2835-000		1	SPRING, COMPRESSION	CLC1150
21	WE8-5224-000		1	CORE, FERRITE	
22	XA9-0630-000		AR	SCREW, RS, M4X10	
23	FG6-2471-000		1	CABLE, DUPLEX DRAWER	CLC1150 J392,393,686
24	FB2-4397-020		1	FILTER, OZON	
25	FB4-9641-000		1	FILTER, OZON	
501	XB1-2400-609		2	SCREW, MACH., TRUSS HEAD, M4X6	
502	XD1-1104-125		2	SHIM	

FIGURE & KEY NO.	PART NUMBER	R A N K	Q T Y	DESCRIPTION	SERIAL NUMBER / REMARKS
110 - 503	XB1-2400-607		12	SCREW,MACH.,TRUSS HEAD,M4X6	CLC1150

# FIGURE 111

## MACHINE REAR PLATE 4

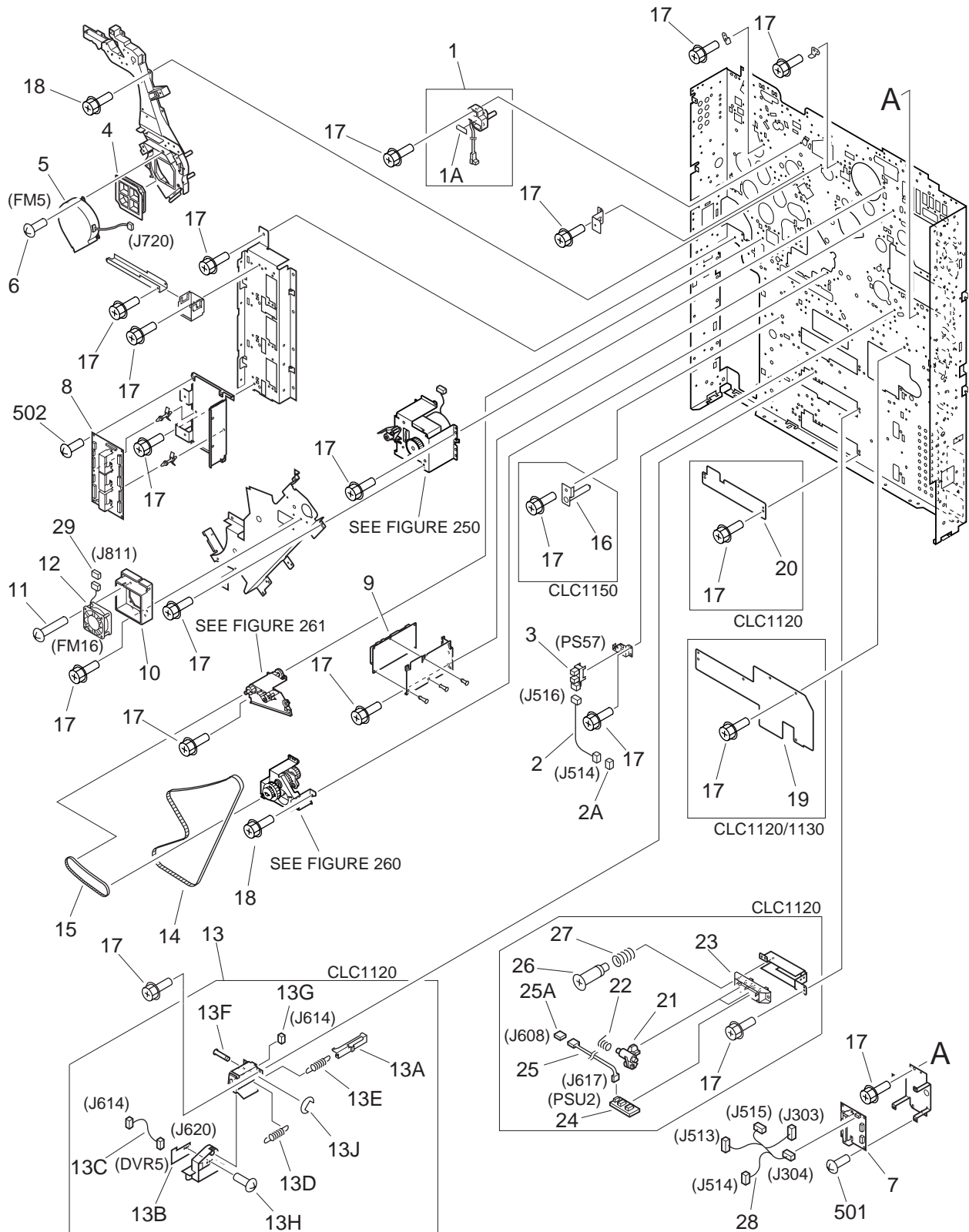


FIGURE & KEY NO.	PART NUMBER	RANK	QTY	DESCRIPTION	SERIAL NUMBER / REMARKS
111 -	NPN		RF	MACHINE REAR PLATE 4	
1	FG6-1060-000		1	CABLE, HIGH VOLTAGE UNIT, 1	
1A	ME1-0038-000		1	LABEL, "WARNING, HIGH VOLTAGE"	
2	FG6-2462-000		1	CABLE, TRA. PRESSURE CONNECT	J514,516
2A	VS1-5057-003		1	CONNECTOR, SNAP TIGHT	J514
3	FH7-7394-000		1	PHOTO-INTERRUPTER	PS57 J516
4	FB4-4442-000		1	FILTER, TONER	
5	FH6-1580-000		1	FAN	FM5 J720
6	XA9-0916-000		3	SCREW,P,M4X14	
7	FG6-2410-000		1	DRUM PRESS. DRIVER PCB ASS'Y	
8	FG6-2406-000		1	PAPER PICK-UP DRIVER PCB ASS'Y	CLC1120
	FG6-2407-000		1	PAPER PICK-UP DRIVER PCB ASS'Y	CLC1130
	FG6-2408-000		1	PAPER PICK-UP DRIVER PCB ASS'Y	CLC1150
9	FH6-3900-000		1	MOTOR CONTROLLER PCB UNIT	
10	FB4-4749-000		1	DUCT, FAN	
11	FC1-6853-000		3	SCREW, M4X35	
12	FH6-1578-000		1	FAN	FM16 J811
13	FG6-0871-000		1	PAPER WIDTH SENSOR UNIT	CLC1120
13A	FB3-9363-000		1	SHAFT, SLIDE	CLC1120
13B	FG5-1957-000		1	CASSETTE VR PCB ASSEMBLY	CLC1120 DVR5
13C	FG5-1947-000		1	CABLE, CASSETTE VR	CLC1120 J614,620
13D	FS5-2322-000		1	SPRING, TENSION	CLC1120
13E	FS5-2323-020		1	SPRING, TENSION	CLC1120
13F	FS5-7128-000		1	SHAFT	CLC1120
13G	VS1-5057-003		1	CONNECTOR, SNAP TIGHT	CLC1120 J811
13H	XB4-7400-809		1	SCREW,TAPPING,TRUSS HEAD,M4X8	CLC1120
13J	XD2-1100-502		1	RING,E	CLC1120
14	XF9-0700-000		1	BELT, TIMING	
15	XF9-0701-000		1	BELT, TIMING	
16	FF5-8368-000		1	PIN, POSITIONING	CLC1150

FIGURE & KEY NO.	PART NUMBER	R A N K	Q T Y	DESCRIPTION	SERIAL NUMBER / REMARKS
111 - 17	XA9-0629-000		AR	SCREW,RS,M4X8	
18	XA9-0630-000		AR	SCREW,RS,M4X10	
19	FB4-5209-000		1	PLATE, BLANKING	CLC1120/1130
20	FB4-5238-000		1	PLATE, BLANKING	CLC1120
21	FB1-8735-000		2	ARM, SENSOR	CLC1120
22	FB1-8737-000		2	SPRING, TORSION	CLC1120
23	FB3-9364-000		1	HOLDER, SWITCH	CLC1120
24	FG5-8221-000		1	CASSETTE PAPER SENSOR ASSEMBLY	CLC1120 PSU2
25	FG5-5031-000		1	CABLE, CASSETTE	CLC1120 J608,617
25A	VS1-5057-004		1	CONNECTOR, SNAP TIGHT	CLC1120 J608
26	FS2-9327-000		2	SCREW, STEPPED, M4	CLC1120
27	FS3-2044-000		2	SPRING, COMPRESSION	CLC1120
28	FG6-2431-000		1	CABLE, TRANSFER DRUM DRIVER	J303,304,513-515
29	VS1-5057-003		1	CONNECTOR, SNAP TIGHT	J811
501	XB1-2400-607		4	SCREW,MACH.,TRUSS HEAD,M4X6	
502	XB1-2400-607		4	SCREW,MACH.,TRUSS HEAD,M4X6	

# FIGURE 113 MACHINE BOTTOM PLATE

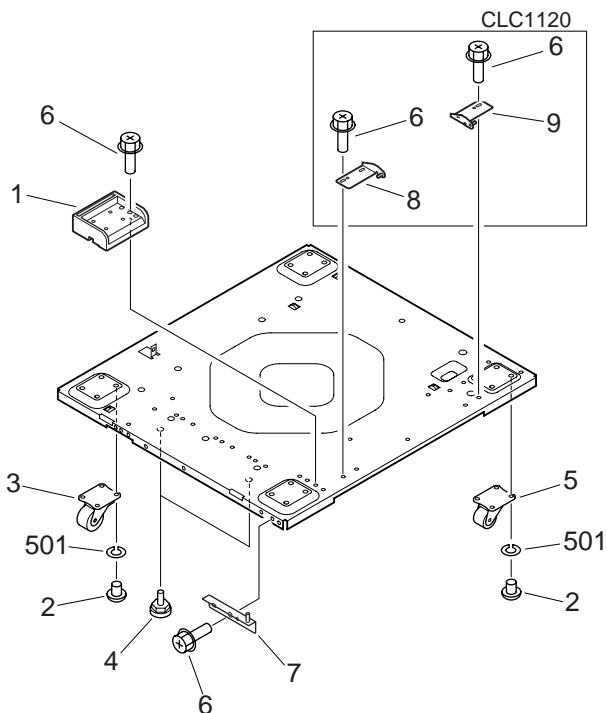


FIGURE & KEY NO.	PART NUMBER	RANK	QTY	DESCRIPTION	SERIAL NUMBER / REMARKS
113 -	NPN		RF	MACHINE BOTTOM PLATE	
1	FB2-1466-000		1	BASE, CONTAINER, WASTE TONER	
2	FB4-5235-000		16	SCREW, ALLEN, M8X8	
3	XZ9-0367-000		3	CASTER	
4	XZ9-0373-000		2	ADJUSTER	
5	XZ9-0469-000		1	CASTER	
6	XA9-0629-000		AR	SCREW, RS, M4X8	
7	FF5-8235-000		1	PLATE, HINGE, LOWER	
8	FF5-8854-000		1	PLATE, LOWER HINGE, LEFT	CLC1120
9	FF5-8855-000		1	PLATE, LOWER HINGE, RIGHT	CLC1120
501	XD1-3100-809		16	WASHER, SPRING	



**FIGURE 115** POWER CORD TERMINAL ASS'Y (100/120V NND, NNC)

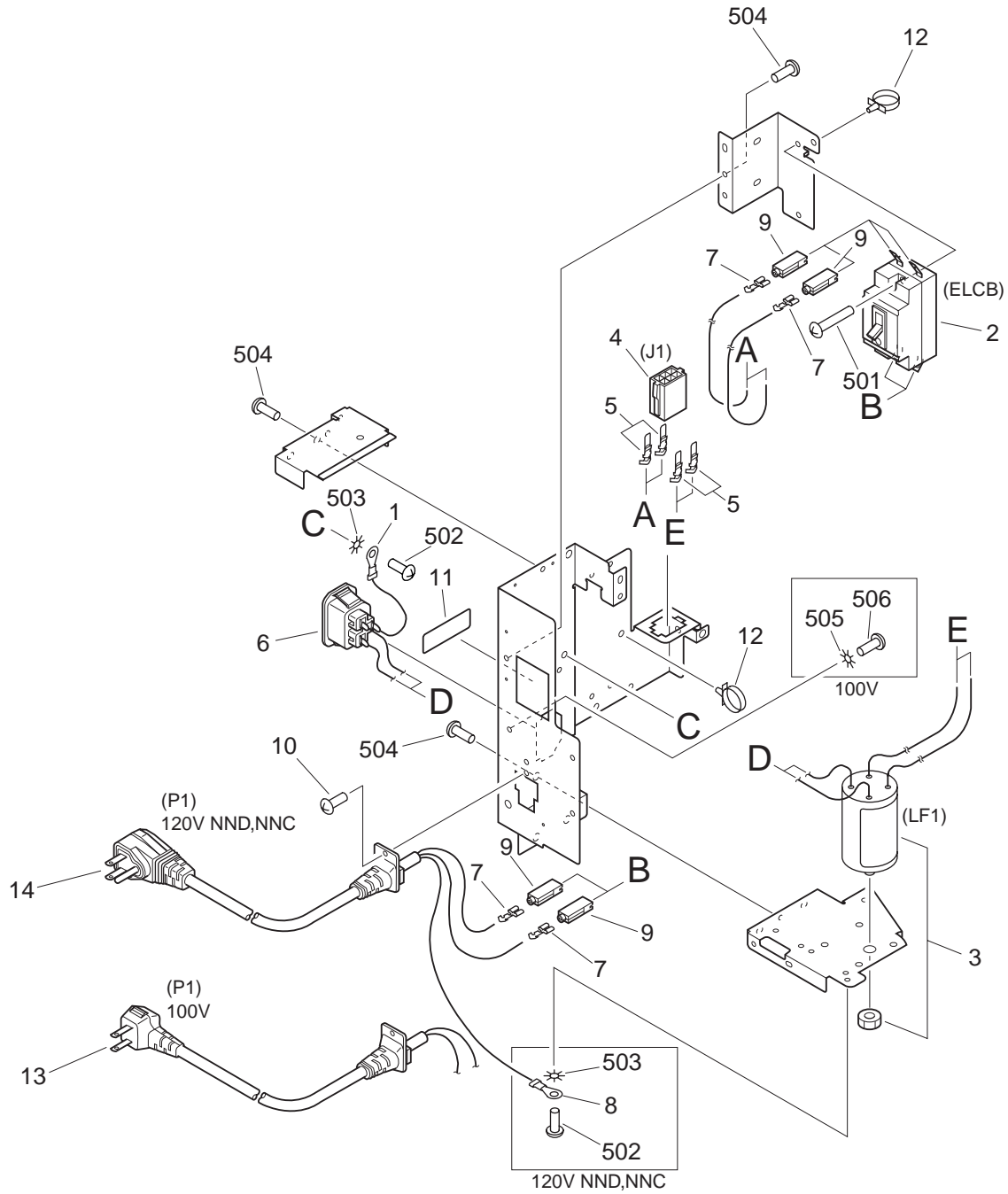


FIGURE & KEY NO.	PART NUMBER	R A N K	Q T Y	DESCRIPTION	SERIAL NUMBER / REMARKS
115 -	FG6-0904-000		1	POWER CORD TERMINAL ASSEMBLY	100V
	FG6-0999-000		1	POWER CORD TERMINAL ASSEMBLY	120V NND,NNC
1	WT1-5024-000		1	TERMINAL, RING	
2	FH7-7441-000		1	BREAKER, CIRCUIT	ELCB
3	FH7-9304-000		1	FILTER, NOISE	LF1
4	VS3-5121-006		1	CONNECTOR, 6P, MALE	J1
5	WS3-5526-000		4	SOCKET CONTACT, 16-22AWG	
6	WS5-5068-000		1	SOCKET, AC	
7	WT1-0403-000		4	SOCKET, FASTON 250, 14-18AWG	
8	WT1-0580-000		1	TERMINAL, RING	120V NND,NNC
9	WT1-5245-000		4	SLEEVE, ONE TOUCH	
10	XA9-0739-000		1	SCREW,TP, M4X8	
11	FS6-8478-000		1	LABLE, POWER	100V
	FS6-8724-000		1	LABEL, POWER	120V NND,NNC
12	WT2-5127-000		2	TIE, CABLE	
13	FH2-6569-000		1	CORD, POWER	100V P1
14	FH2-6576-000		1	CORD, POWER	120V NND,NNC P1
501	XB1-2402-009		2	SCREW,MACH.,TRUSS HEAD,M4X20	
502	XB1-2500-803		1	SCREW,MACH.,TRUSS HEAD,M5X8	100V
	XB1-2500-803		2	SCREW,MACH.,TRUSS HEAD,M5X8	120V NND,NNC
503	XD1-4100-502		1	WASHER,TOOTHED LOCK	100V
	XD1-4100-502		2	WASHER,TOOTHED LOCK	120V NND,NNC
504	XB1-2400-609		3	SCREW,MACH.,TRUSS HEAD,M4X6	
505	XD1-4200-402		1	WASHER,TOOTHED LOCK	100V
506	XB1-2400-603		1	SCREW,MACH.,TRUSS HEAD,M4X6	100V

FIGURE 116

POWER CORD TERMINAL ASS'Y (120V NNE/220/240V)

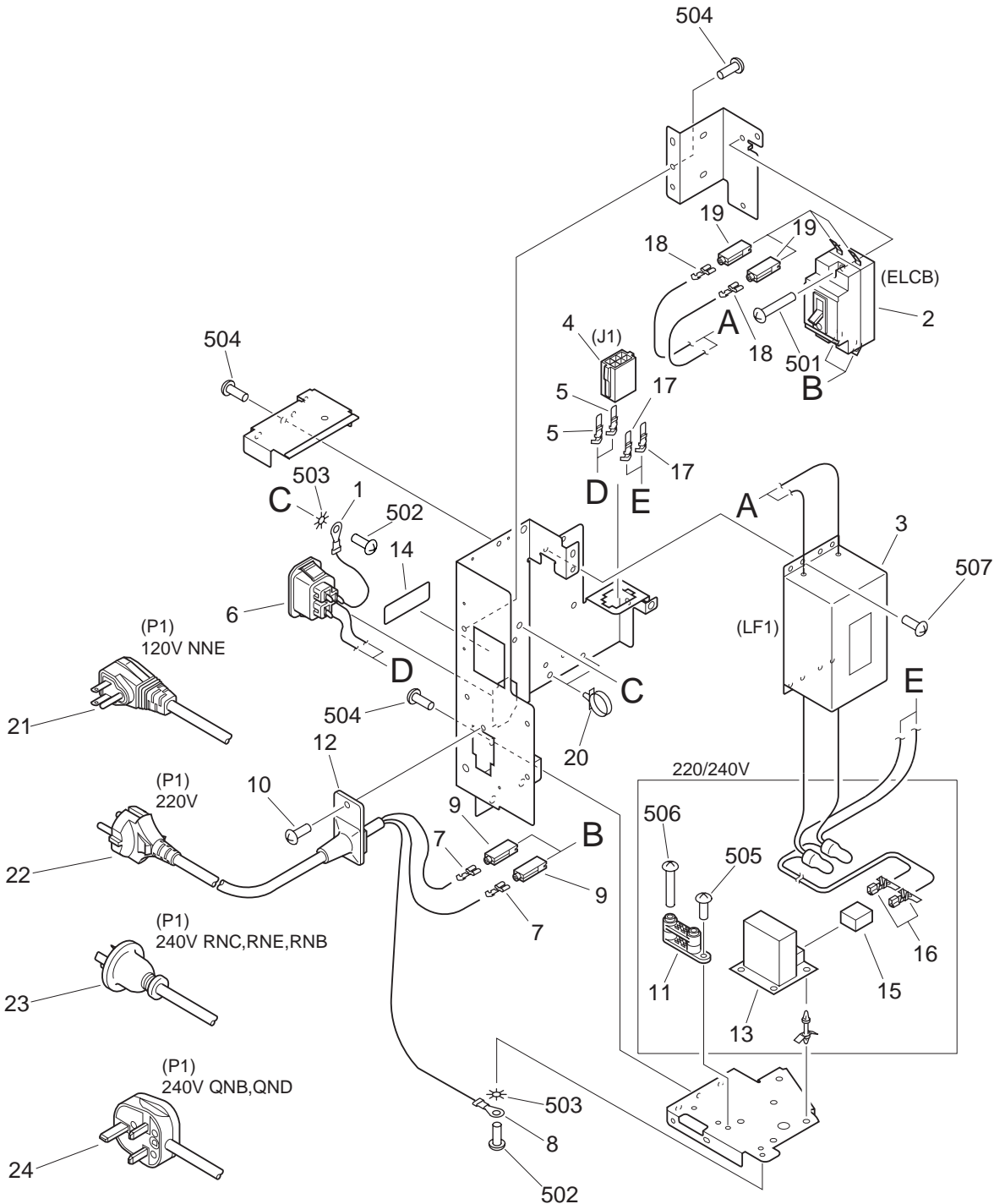
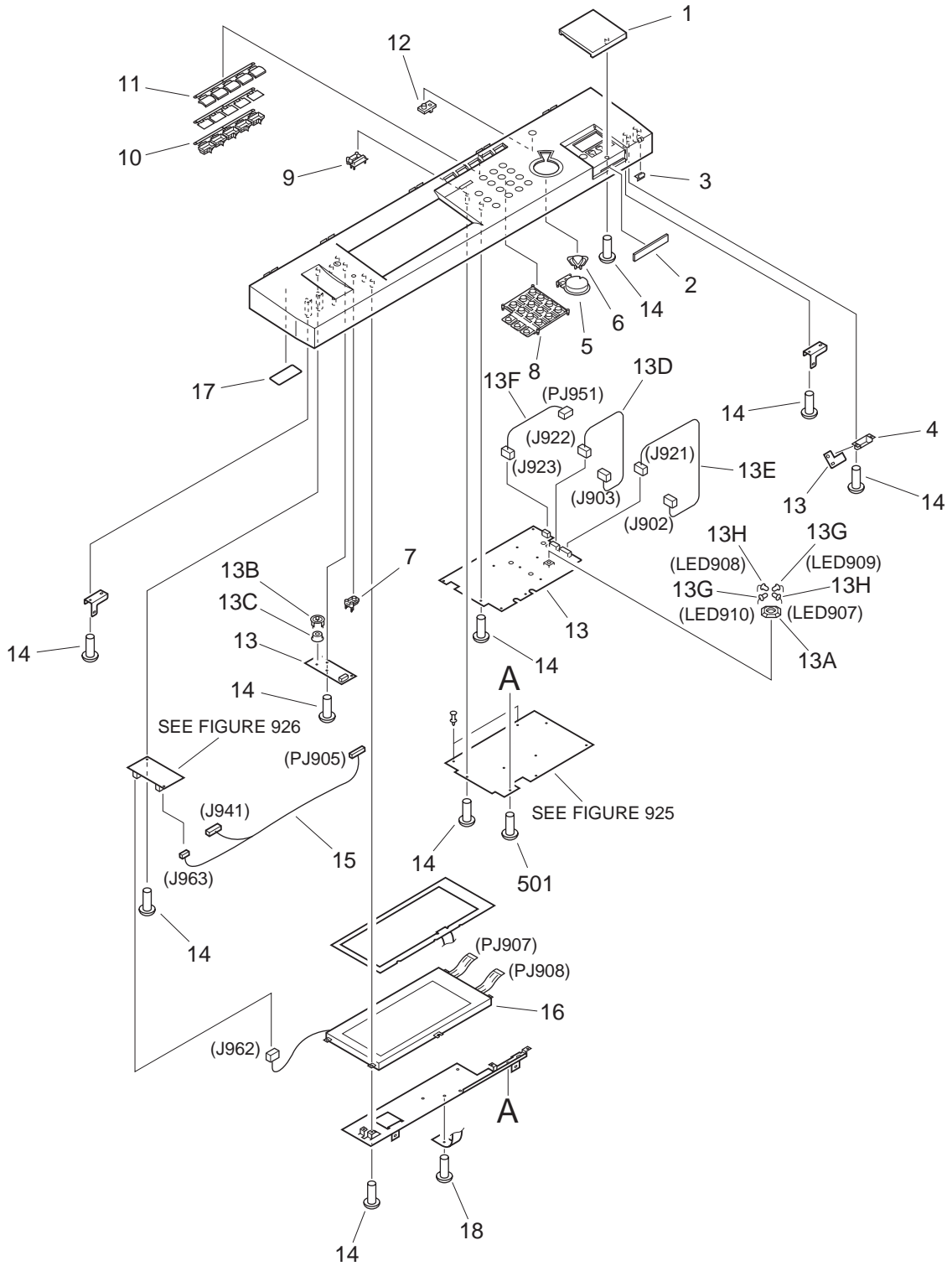


FIGURE & KEY NO.	PART NUMBER	RANK	QTY	DESCRIPTION	SERIAL NUMBER / REMARKS
116 -	FG6-1034-000		1	POWER CORD TERMINAL ASSEMBLY	120V NNE
	FG6-1000-000		1	POWER CORD TERMINAL ASSEMBLY	220V
	FG6-1002-000		1	POWER CORD TERMINAL ASSEMBLY	240V RNC,RNB,RNE
	FG6-1001-000		1	POWER CORD TERMINAL ASSEMBLY	240V QNB,QND
	1	WT1-5024-000		1	TERMINAL, RING
2	FH7-7441-000		1	BREAKER, CIRCUIT	120V NNE ELCB
	FH7-7440-000		1	BREAKER, CIRCUIT	220/240V ELCB
3	FH7-9314-000		1	FILTER, NOISE	120V NNE LF1
	FH7-9316-000		1	FILTER, NOISE	220/240V LF1
4	VS3-5121-006		1	CONNECTOR, 6P, MALE	J1
5	WS3-5526-000		2	SOCKET CONTACT, 16-22AWG	
6	WS5-5068-000		1	SOCKET, AC	
7	WT1-0403-000		2	SOCKET, FASTON 250, 14-18AWG	
8	WT1-0580-000		1	TERMINAL, RING	120V NNE
	WT1-5024-000		2	TERMINAL, RING	220/240V
9	WT1-5245-000		2	SLEEVE, ONE TOUCH	
10	XA9-0739-000		1	SCREW,TP, M4X8	
11	FH2-5043-000		1	CLAMP, POWER CORD	220/240V
12	WT2-0113-000		1	GROMMET, POWER CORD	220/240V
13	FG6-2543-000		1	CAPACITOR PCB ASSEMBLY	220/240V
14	FS6-8724-000		1	LABEL, POWER	120V NNE
	FS6-8725-000		1	LABEL, POWER	220/240V
15	VS3-5083-003		1	CONNECTOR, 3P, FEMALE	220/240V
16	WS3-5160-000		2	SOCKET CONTACT, 18-24AWG	220/240V
17	WS3-5473-000		2	PIN CONTACT	120V NNE
	WS3-5291-000		2	PIN CONTACT	220/240V
18	WT1-5023-000		2	SOCKET FASTON, 14-10AWG	
19	WT1-0247-000		2	TERMINAL, END	220/240V
20	WT2-5127-000		2	TIE, CABLE	
21	FH2-6576-000		1	CORD, POWER	120V NNE P1

FIGURE & KEY NO.	PART NUMBER	RANK	QTY	DESCRIPTION	SERIAL NUMBER / REMARKS
116 - 22	FH2-5732-000		1	CORD, POWER, 250V 10A	220V P1
23	FH2-5734-020		1	CORD, POWER, 250V 10A	240V RNC,RNE,RNB P1
24	FH2-5733-000		1	CORD, POWER, 250V 13A	240V QNB,QND P1
501	XB1-2402-009		2	SCREW,MACH.,TRUSS HEAD,M4X20	
502	XB1-2500-803		2	SCREW,MACH.,TRUSS HEAD,M5X8	
503	XD1-4100-502		2	WASHER,TOOTHED LOCK	
504	XB1-2400-609		3	SCREW,MACH.,TRUSS HEAD,M4X6	
505	XB1-2401-009		1	SCREW,MACH.,TRUSS HEAD,M4X10	220/240V
506	XB1-2402-509		2	SCREW,MACH.,TRUSS HEAD,M4X25	220/240V
507	XB2-8400-607		2	SCREW,W/WASHER,M4X6	

# FIGURE 130 CONTROL PANEL ASSEMBLY



NOTE : This assembly includes the assemblies shown in Figure 925 and 926.

FIGURE & KEY NO.	PART NUMBER	RANK	QTY	DESCRIPTION	SERIAL NUMBER / REMARKS
130 -	FG6-2195-000		1	CONTROL PANEL ASSEMBLY	JAPANESE SEE NOTE
	FG6-2196-000		1	CONTROL PANEL ASSEMBLY	ENGLISH EXCEPT QNB,QND SEE NOTE
	FG6-2197-000		1	CONTROL PANEL ASSEMBLY	ILLUSTRATION SEE NOTE
	FG6-2198-000		1	CONTROL PANEL ASSEMBLY	ENGLISH QNB,QND SEE NOTE
	FG6-2199-000		1	CONTROL PANEL ASSEMBLY	FRENCH SEE NOTE
	FG6-2200-000		1	CONTROL PANEL ASSEMBLY	GERMAN SEE NOTE
1	FB2-4234-000		1	COVER, CONTROL CARD	
2	FB2-4236-000		1	PLATE, BLANKING	
3	FB2-4243-000		1	COVER, LAMP FILTER	
4	FB2-4244-000		1	SUPPORT EXPOSURE LIGHT	
5	FB4-2581-000		1	KEY TOP, START	
6	FB4-2582-000		1	KEY TOP, STOP	
7	FB4-5005-000		1	KEY TOP, COUNTER	
8	FB4-5008-000		1	KEY TOP, NUMBERS	
9	FB4-5009-000		1	KEY TOP, RESET	
10	FB4-5010-000		1	REFLECTOR, COLOR	
11	FB4-5006-000		1	KEY TOP, COLOR	JAPANESE
	FB4-5020-000		1	KEY, COLOR	ENGLISH
	FB4-5021-000		1	KEY TOP, COLOR	ILLUSTRATION
	FB4-5022-000		1	KEY TOP, COLOR	FRENCH
	FB4-5023-000		1	KEY TOP, COLOR	GERMAN
12	FB4-5276-000		1	KEY TOP, STANDBY	
13	FG6-2189-000		1	CONTROL PANEL PCB ASSEMBLY	
13A	FB2-7575-000		1	HOLDER, LED	
13B	FB3-8320-000		1	PLATE, GROUNDING	
13C	FB4-5019-000		1	KNOB, CONTRAST	
13D	FG6-2192-000		1	CABLE, CPU-KEY, A	J903,922
13E	FG6-2193-000		1	CABLE, CPU-KEY, B	J902,921
13F	FG6-2194-000		1	CABLE, KEY-PILOT LAMP	J923 PJ951
13G	FH6-0767-000		2	LED UNIT	LED909,910

FIGURE & KEY NO.	PART NUMBER	R A N K	Q T Y	DESCRIPTION	SERIAL NUMBER / REMARKS
130 - 13H	FH6-0768-000		2	LED UNIT	LED907,908
14	XA9-0591-000		45	SCREW,M3X8	
15	FG6-2191-000		1	CABLE, CPU-CONT. VR-INVERT.	J941,963 PJ905
16	FG6-2203-000		1	LCD CONTROL PANEL UNIT	J962 PJ907,908
17	ME1-0038-000		1	LABEL, "WARNING, HIGH VOLTAGE"	
18	XA9-0670-000		1	SCREW,MACH.,FLAT HEAD,M3X8	
501	XB1-2300-409		1	SCREW,MACH.,TRUSS HEAD,M3X4	



# FIGURE 145 RIGHT COVER ASSEMBLY

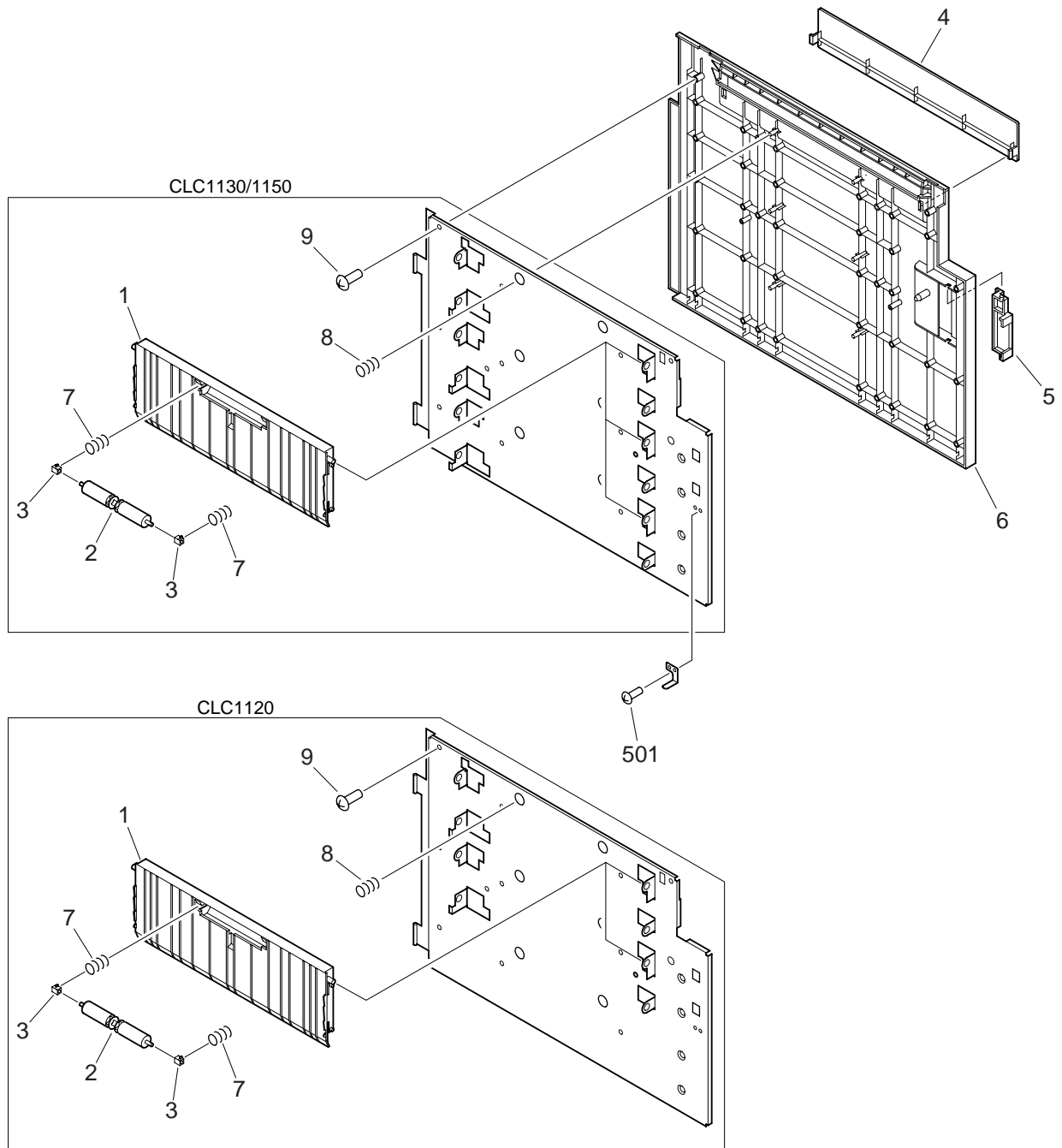
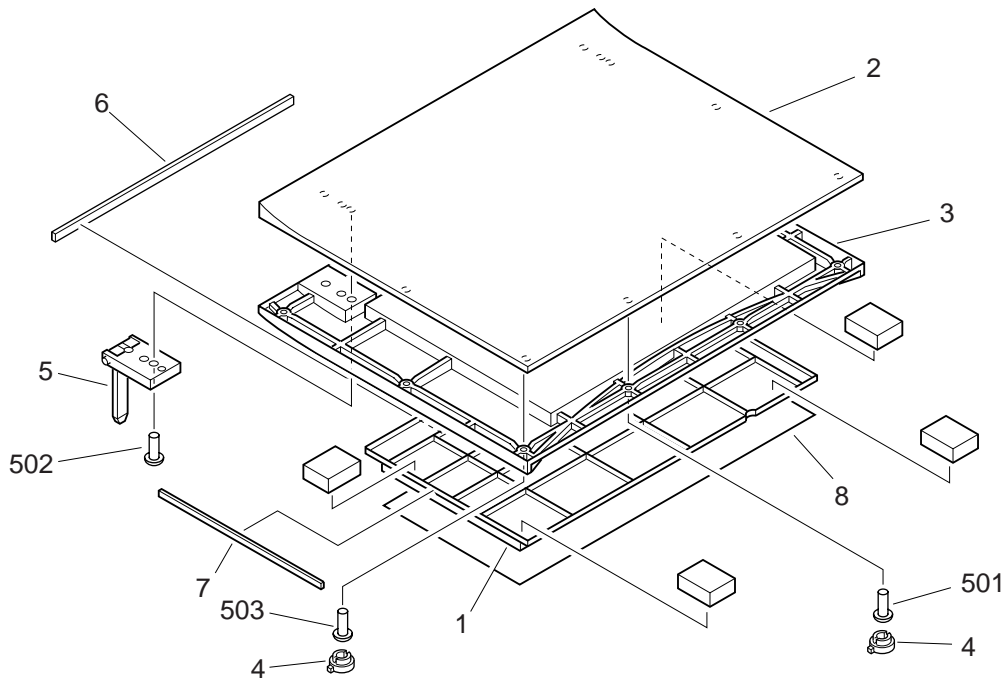


FIGURE & KEY NO.	PART NUMBER	RANK	QTY	DESCRIPTION	SERIAL NUMBER / REMARKS
145 -	NPN		RF	RIGHT COVER ASSEMBLY	
1	FB2-7750-000		2	GUIDE, VERT. PATH SWING	CLC1120
	FB2-7750-000		3	GUIDE, VERT. PATH SWING	CLC1130/1150
2	FB2-7754-000		3	ROLLER	CLC1130/1150
	FB2-7754-000		2	ROLLER	CLC1120
3	FB2-7755-000		4	BUSHING	CLC1120
	FB2-7755-000		6	BUSHING	CLC1130/1150
4	FB4-1967-000		1	PLATE, BLANKING	
5	FB4-4602-000		1	HANDLE, RIGHT DOOR	
6	FB4-5003-000		1	DOOR, RIGHT	
7	FS5-2921-000		4	SPRING, COMPRESSION	CLC1120
	FS5-2921-000		6	SPRING, COMPRESSION	CLC1130/1150
8	FS5-2922-000		6	SPRING, COMPRESSION	CLC1130/1150
	FS5-2922-000		4	SPRING, COMPRESSION	CLC1120
9	XA9-0605-000		13	SCREW,P,M4X8	
501	XB1-2400-609		1	SCREW,MACH.,TRUSS HEAD,M4X6	

# FIGURE 160 COPYBOARD COVER ASSEMBLY



NOTE : This assembly does not include the part shown with key No. 8.

FIGURE & KEY NO.	PART NUMBER	RANK	QTY	DESCRIPTION	SERIAL NUMBER / REMARKS
160 -	FG5-5626-050		1	COPYBOARD COVER ASSEMBLY	EXCEPT FRENCH
1	FA3-0134-000		1	PLATE, MIRROR	
2	FB2-2578-000	N	1	COVER, COPYBOARD, UPPER	
3	FB2-2579-020	N	1	COVER, COPYBOARD, LOWER	
4	FB2-2581-000		6	RUBBER, COVER	
5	FB2-4439-040		2	HINGE	
6	FB3-6021-020		1	SPACER	
7	FB4-9754-000		1	SPACER	
8	FB4-9753-000		1	SHEET, MIRROR	SEE NOTE
501	XB1-2400-606		2	SCREW, MACH., TRUSS HEAD, M4X6	
502	XB1-2402-006		4	SCREW, MACH., TRUSS HEAD, M4X20	
503	XB4-7401-006		6	SCREW, TAPPING, TRUSS HEAD, M4X10	

# FIGURE 190 EXHAUST FAN ASSEMBLY

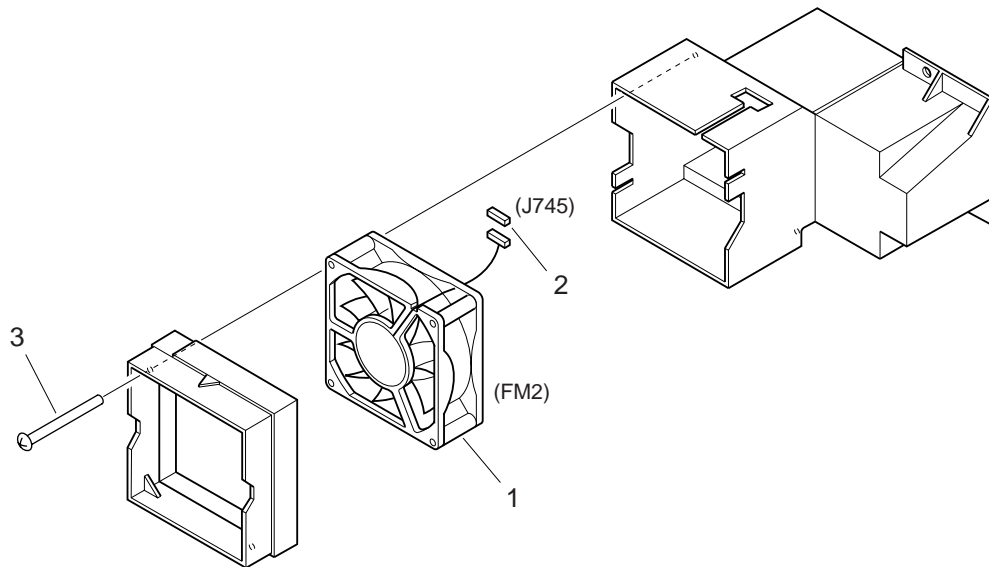


FIGURE & KEY NO.	PART NUMBER	RANK	QTY	DESCRIPTION	SERIAL NUMBER / REMARKS
190 -	FG6-0991-000		1	EXHAUST FAN ASSEMBLY	
1	FH6-1577-000		1	FAN	FM2 J745
2	VS1-5057-003		1	CONNECTOR, SNAP TIGHT	J745
3	XA9-1034-000		2	SCREW,P,M4X55	
-----					
-----					

# FIGURE 191 TONER INTAKE FAN ASSEMBLY

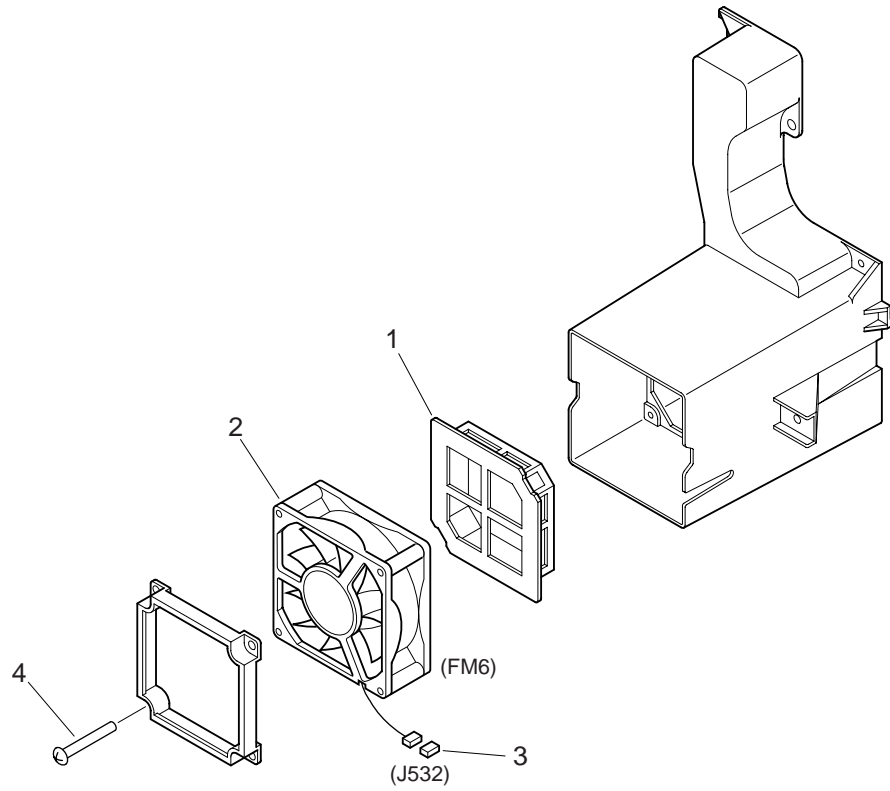
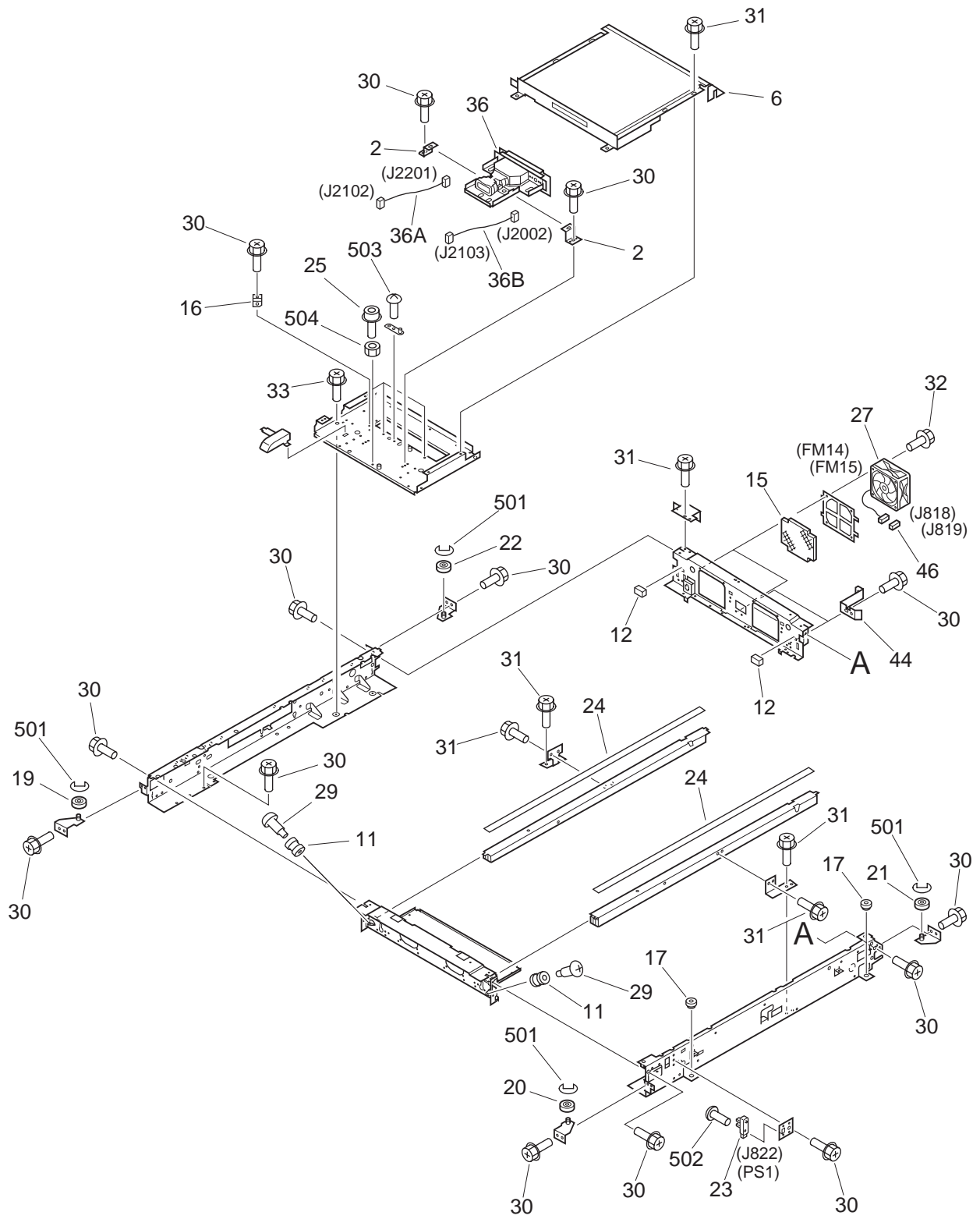


FIGURE & KEY NO.	PART NUMBER	RANK	QTY	DESCRIPTION	SERIAL NUMBER / REMARKS
191 -	FG6-0849-000		1	TONER INTAKE FAN ASSEMBLY	
1	FB4-4442-000		1	FILTER, TONER	
2	FH6-1587-000		1	FAN	FM6 J532
3	VS1-5057-003		1	CONNECTOR, SNAP TIGHT	J532
4	XA9-1034-000		2	SCREW,P,M4X55	
-----					
-----					
-----					

# FIGURE 210

## READER ASSEMBLY (1/2)



# FIGURE 210

## READER ASSEMBLY (2/2)

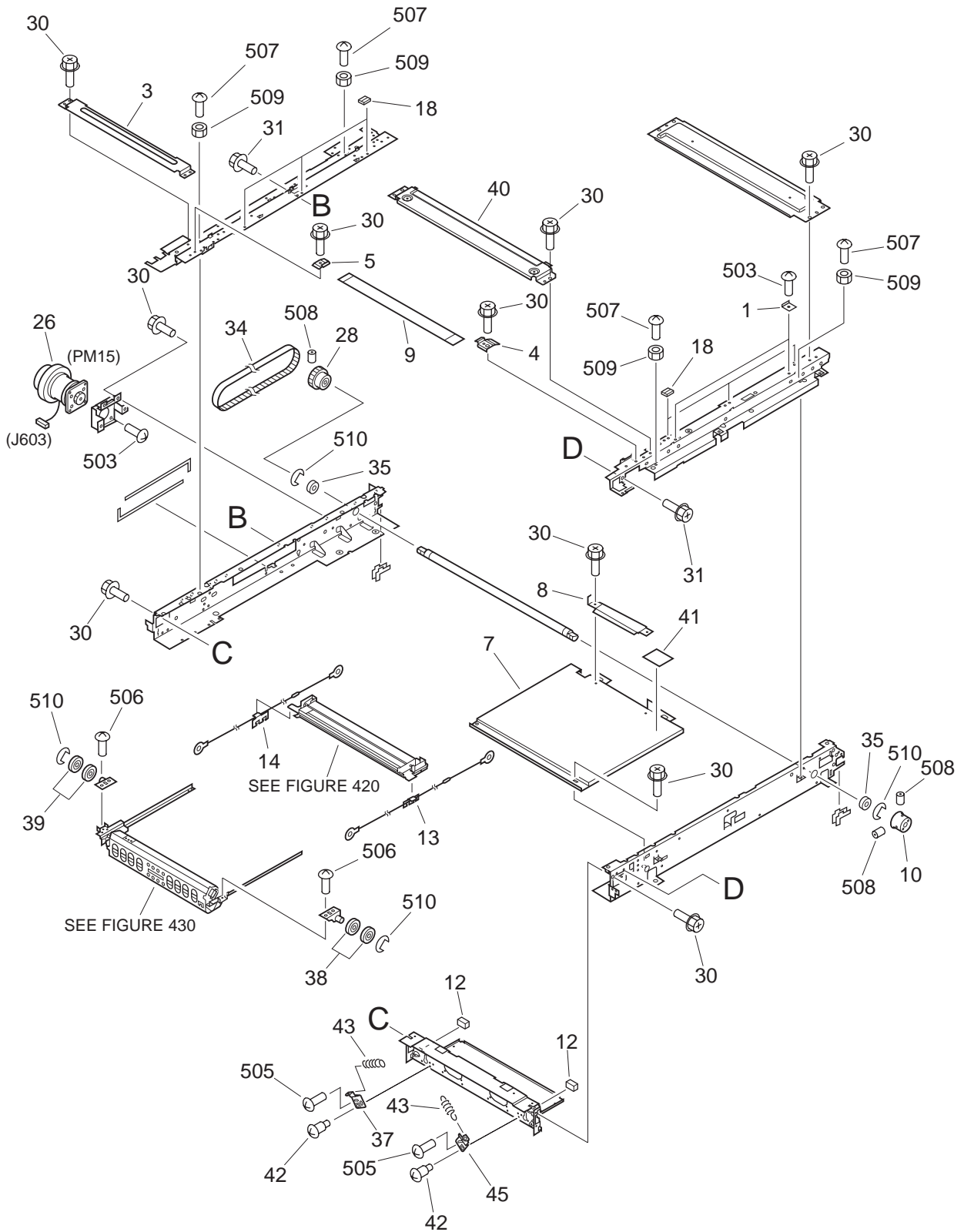


FIGURE & KEY NO.	PART NUMBER	R A N K	Q T Y	DESCRIPTION	SERIAL NUMBER / REMARKS
210 -	NPN		RF	READER ASSEMBLY	
1	FA6-5642-000		2	RETAINER, GLASS	
2	FB2-0176-000		2	MOUNT, LENS	
3	FB2-0238-000		1	HOLDER, DUMMY GLASS	
4	FB2-0240-000		1	RETAINER, GLASS, FRONT	
5	FB2-0241-000		1	RETAINER, GLASS, REAR	
6	FB2-0245-050		1	COVER, READER	
7	FB4-0505-000		1	COVER	
8	FB4-0506-000		1	COVER, SCANNER	
9	FF5-2137-000		1	REFLECTOR, WHITE	
10	FB1-6677-030		1	PULLEY	
11	FB1-7112-000		2	ROLLER, WIRE	
12	FB1-7114-000		4	DAMPER	
13	FB2-0215-000		1	WIRE, SCANNER, FRONT	
14	FB2-0216-000		1	WIRE, SCANNER, REAR	
15	FB2-0247-040		2	FILTER, AIR	
16	FB3-2052-000		1	PLATE, SHIELD	
17	FB2-6310-000		2	BUSHING, RUBBER	
18	FB4-4798-000		6	MOUNT, GLASS	
19	FB1-7109-000		1	PULLEY	
20	FB1-7109-000		1	PULLEY	
21	FB1-7109-000		1	PULLEY	
22	FB1-7109-000		1	PULLEY	
23	FH7-7306-000		1	PHOTO-INTERRUPTER, S7G37	PS1 J822
24	FB2-0244-000		2	SHEET	
25	FC1-1150-000		3	BOLT,M4	
26	FG6-1069-000		1	SCANNER MOTOR ASSEMBLY	PM15 J603
27	FH6-1577-000		2	FAN	FM14,15 J818,819
28	FS5-3250-000		1	PULLEY, 66T	
29	FS5-9219-000		2	SCREW, STEPPED, M4	



FIGURE & KEY NO.	PART NUMBER	R A N K	Q T Y	DESCRIPTION	SERIAL NUMBER / REMARKS
210 - 30	XA9-0629-000		AR	SCREW,RS,M4X8	
31	XA9-0721-000		AR	SCREW,RS,M4X10	
32	XA9-0748-000		4	SCREW,RS,M4X10	
33	XA9-0963-000		4	SCREW,RS,M4X10	
34	XF9-0381-000		1	BELT, TIMING	
35	XG9-0249-000		2	BEARING, BALL	
36	FG6-0927-000		1	CCD UNIT	100/120V NND,NNC
	FG6-4722-000		1	CCD UNIT	120V NNE/220/240V
36A	FF3-0260-000		1	CABLE, CCD PULSE	J2102,2201
36B	FF3-0261-000		1	CABLE, CCD SIGNAL	100/120V NND,NNC J2002,2103
	FF3-0262-000		1	CABLE, CCD SIGNAL	120V NNE/220/240V J2002,2103
37	FB4-5146-000		1	PLATE, SUPPORT WIRE	
38	FB2-0243-000		2	PULLEY	
39	FB2-0243-000		2	PULLEY	
40	FF5-5883-000		1	PLATE, GLASS RETAINER, LEFT	
41	FS6-8519-000		2	LABEL, LASER CAUTION	100/120V
42	FS1-9169-000		2	SCREW,STEPPED,M3	
43	FS6-2838-000		2	SPRING, TENSION	
44	FB4-5207-000		2	PLATE, SUPPORT	
45	FB4-5145-000		1	PLATE, SUPPORT, WIRE	
46	VS1-5057-003		2	CONNECTOR, SNAP TIGHT	J818,819
501	XD2-1100-642		4	RING,E	
502	XB1-2401-009		1	SCREW,MACH.,TRUSS HEAD,M4X10	
503	XB1-2400-609		3	SCREW,MACH.,TRUSS HEAD,M4X6	
504	XB7-2100-409		3	NUT,HEX,M4	
505	XB6-7400-609		4	SCREW,TP,M4X6	
506	XB1-2300-609		8	SCREW,MACH.,TRUSS HEAD,M3X6	
507	XB1-2301-009		4	SCREW,MACH.,TRUSS HEAD,M3X10	
508	XB6-2401-008		4	SETSCREW,M4X10	
509	XB7-2100-309		4	NUT,HEX,M3	

FIGURE & KEY NO.	PART NUMBER	R A N K	Q T Y	DESCRIPTION	SERIAL NUMBER / REMARKS
210 - 510	XD2-1100-642		4	RING,E	

# FIGURE 250 MAIN DRIVE ASSEMBLY

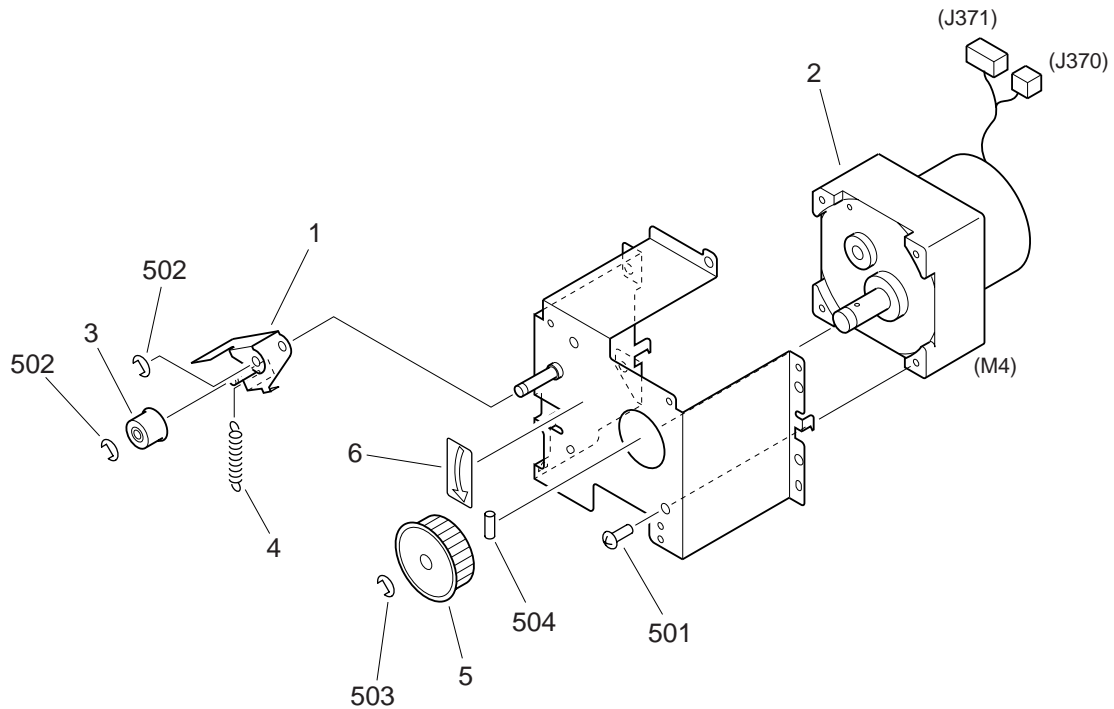


FIGURE & KEY NO.	PART NUMBER	RANK	QTY	DESCRIPTION	SERIAL NUMBER / REMARKS
250 -	FG6-0836-000		1	MAIN DRIVE ASSEMBLY	
1	FF5-2050-000		1	ARM	
2	FH6-1557-000		1	MOTOR, DC38V	M4 J370,371
3	FS2-3512-000		1	PULLEY	
4	FS5-2537-000		1	SPRING, TENSION	
5	FS5-3377-000		1	PULLEY, 30T	
6	FS6-8077-000		1	LABEL, "BELT"	
501	XB1-2400-609		4	SCREW, MACH., TRUSS HEAD, M4X6	
502	XD2-1100-502		2	RING, E	
503	XD2-1100-802		1	RING, E	
504	XD3-2300-202		1	PIN, DOWEL	

# FIGURE 251

## PAPER PICK-UP DRIVE ASSEMBLY

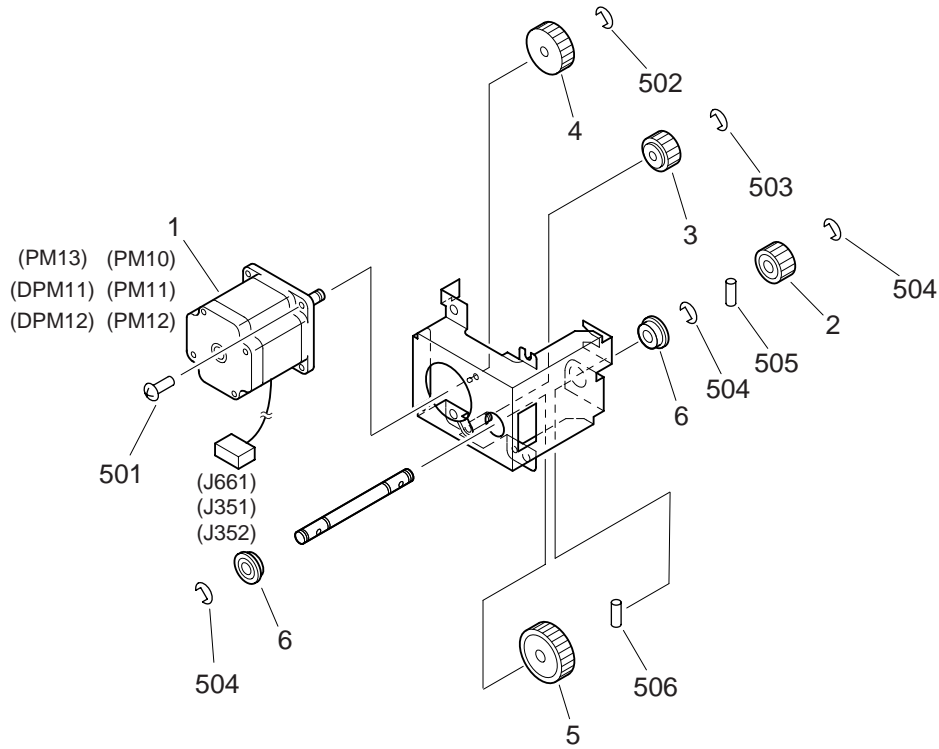
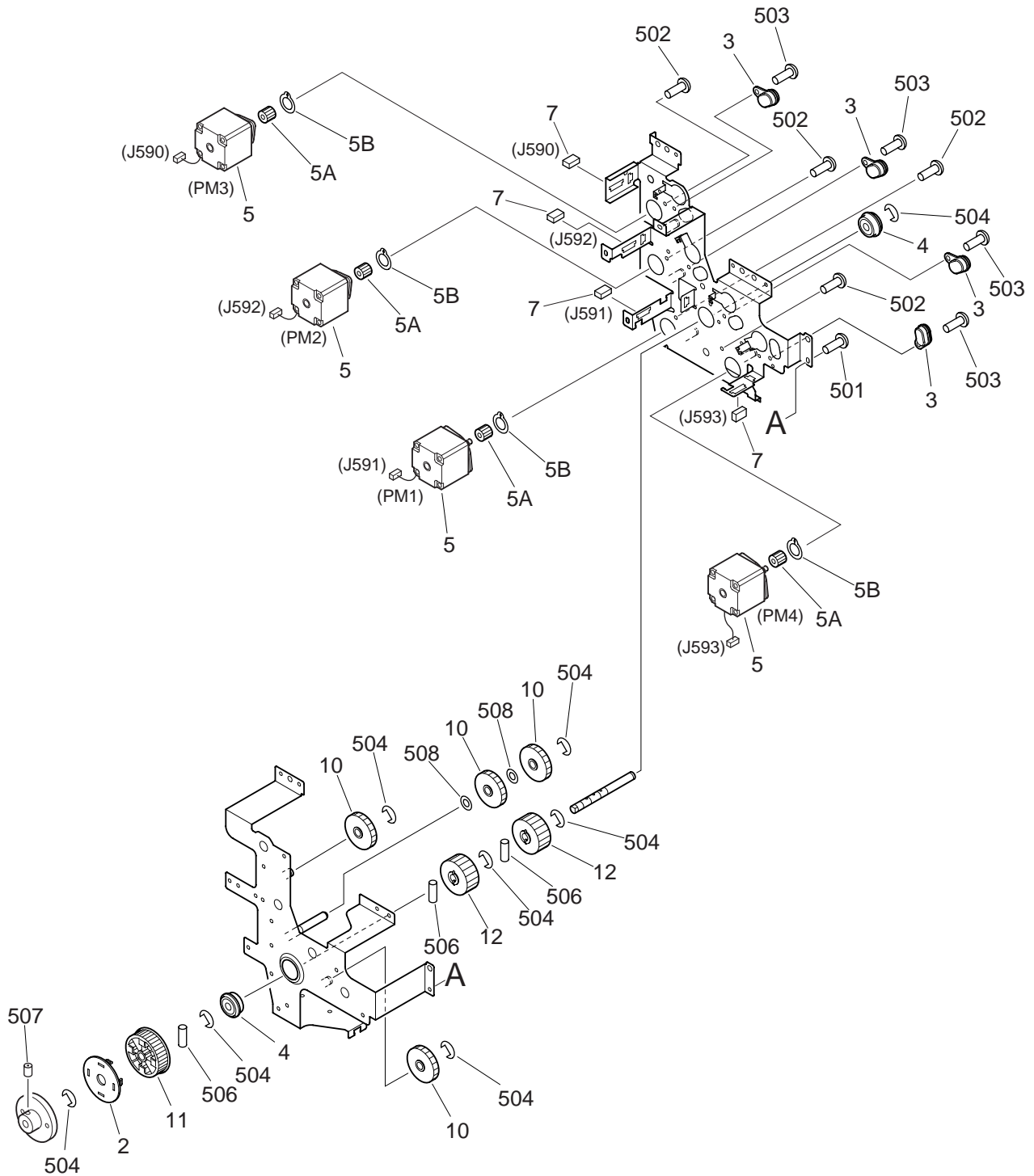


FIGURE & KEY NO.	PART NUMBER	RANK	QTY	DESCRIPTION	SERIAL NUMBER / REMARKS
251 -	FG6-0874-000		2	PAPER PICK-UP DRIVE ASSEMBLY	CLC1120
	FG6-0874-000		3	PAPER PICK-UP DRIVE ASSEMBLY	CLC1130/1150
1	FH6-1571-000		1	MOTOR, STEPPING, DC24V	PM10-13 DPM11,12 J661,351,352
2	FS4-0145-000		1	GEAR, 20T	
3	FS7-0127-000		1	GEAR, 20T	
4	FS7-0289-000		1	GEAR, 27T	
5	FS7-0290-000		1	GEAR, 32T	
6	XG9-0250-000		2	BEARING, BALL	
501	XB1-2400-609		2	SCREW, MACH., TRUSS HEAD, M4X6	
502	XD2-1100-402		1	RING, E	
503	XD2-1100-502		1	RING, E	
504	XD2-1100-642		3	RING, E	
505	XD3-2200-142		1	PIN, DOWEL	
506	XD3-2200-182		1	PIN, DOWEL	

# FIGURE 252 DEVELOPING DRIVE ASSEMBLY (1/2)



# FIGURE 252

## DEVELOPING DRIVE ASSEMBLY (2/2)

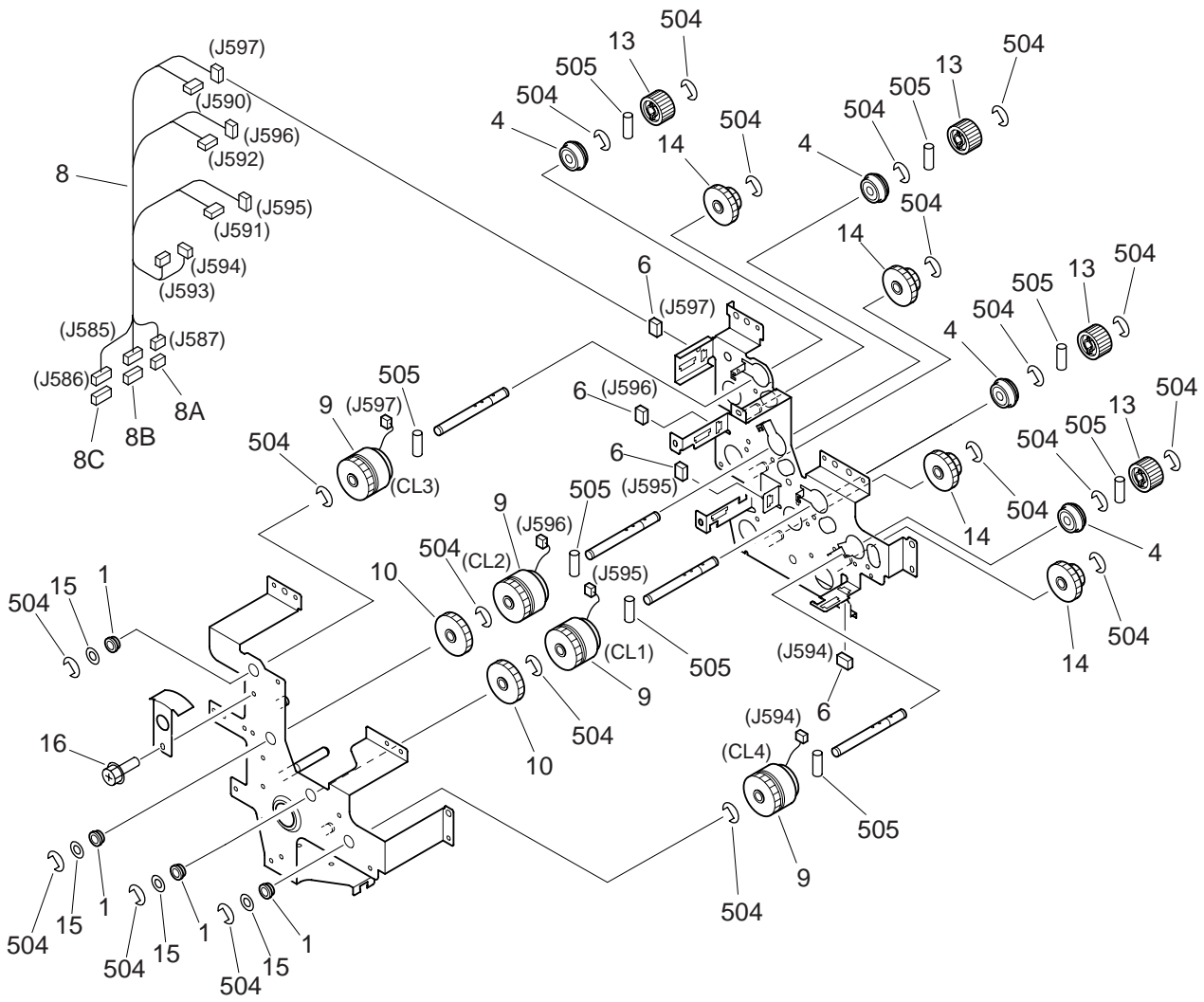
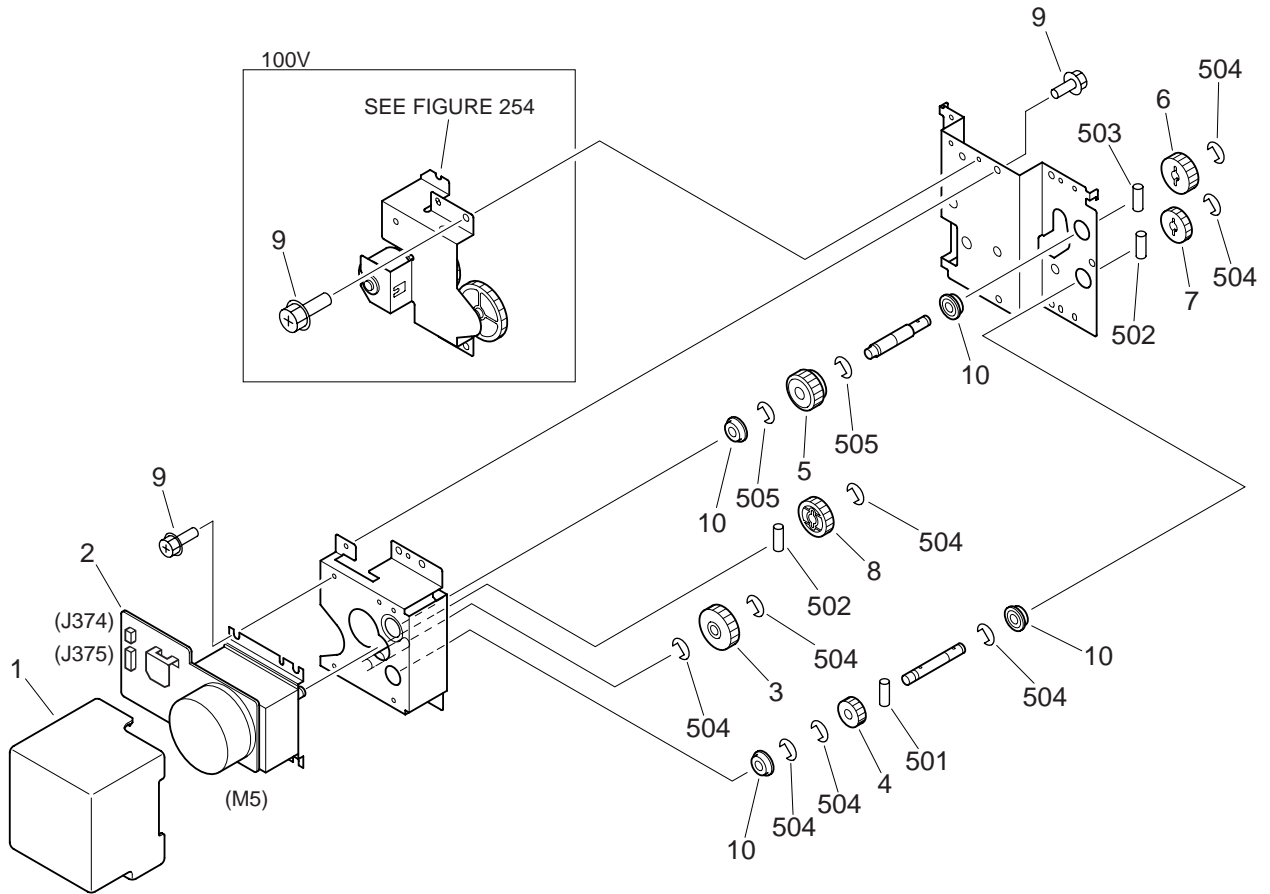


FIGURE & KEY NO.	PART NUMBER	RANK	QTY	DESCRIPTION	SERIAL NUMBER / REMARKS
252 -	FG6-0787-000		1	DEVELOPING DRIVE ASSEMBLY	
1	XG9-0211-000		4	BALL BEARING, MF128ZZ1MC3D4M	
2	FA6-8279-000		1	FLANGE, PULLEY	
3	FB4-4145-000		4	BLOCK, DEVELOPING SLIDER	
4	XG9-0208-000		6	BEARING, BALL	
5	FG6-1035-000		4	DEVELOPING DRIVE MOTOR ASS'Y	PM1-4 J590-593
5A	FS7-0143-000		4	GEAR, 14T	
5B	XD9-0185-000		4	RING,C,EXTERNAL	
6	VS1-5057-002		4	CONNECTOR, SNAP TIGHT	J594-597
7	VS1-5057-006		4	CONNECTOR, SNAP TIGHT	J590-593
8	FG6-2461-000		1	DEVELOPING DRIVE CABLE	J585-587,590-597
8A	VS1-5057-008		1	CONNECTOR, SNAP TIGHT	J587
8B	VS1-5057-012		1	CONNECTOR, SNAP TIGHT	J585
8C	VS1-5057-013		1	CONNECTOR, SNAP TIGHT	J586
9	FH7-5469-000		4	CLUTCH, ELECTROMAGNETIC	CL1-4 J594-597
10	FS2-0577-000		6	GEAR, 36T	
11	FS2-3486-000		1	PULLEY, 30T	
12	FS5-0662-000		2	GEAR, 36T	
13	FS7-0137-000		4	GEAR, 28T	
14	FS7-0138-000		4	GEAR, 18T/42T	
15	FB2-6285-000		4	SHIM	
16	XA9-0629-000		1	SCREW,RS,M4X8	
501	XB1-2400-609		7	SCREW,MACH.,TRUSS HEAD,M4X6	
502	XB1-2300-609		8	SCREW,MACH.,TRUSS HEAD,M3X6	
503	XB6-7400-609		4	SCREW,TP,M4X6	
504	XD2-1100-642		AR	RING,E	
505	XD3-2200-142		8	PIN,DOWEL	
506	XD3-2200-162		3	PIN,DOWEL	
507	XB6-2400-408		2	SETSCREW,M4X4	
508	XD1-1108-229		2	SHIM	

# FIGURE 253

## FIXING DRIVE ASSEMBLY



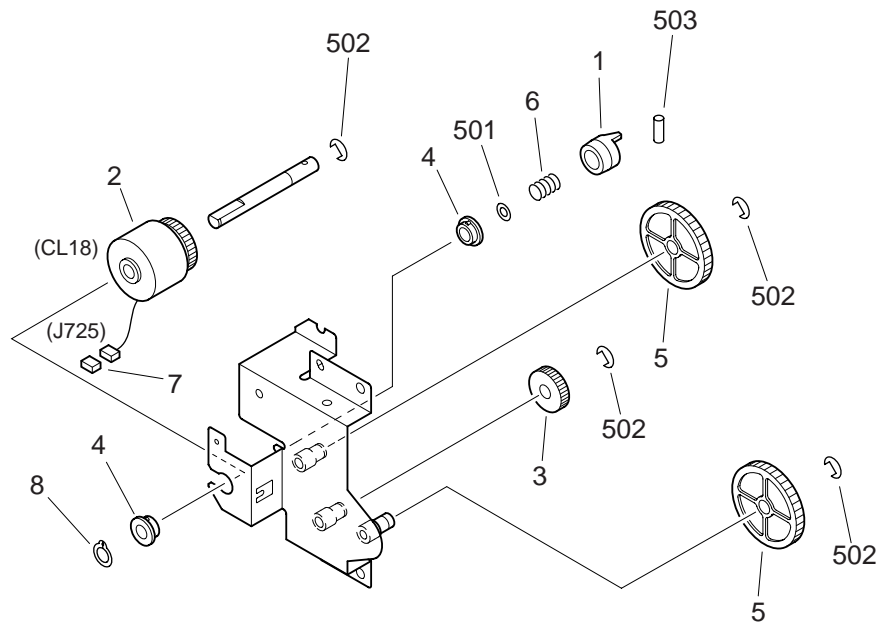
NOTE : This assembly includes the assembly shown in Figure 254.



FIGURE & KEY NO.	PART NUMBER	R A N K	Q T Y	DESCRIPTION	SERIAL NUMBER / REMARKS
253 -	FG6-0969-000		1	FIXING DRIVE ASSEMBLY	100V SEE NOTE
	FG6-0861-000		1	FIXING DRIVE ASSEMBLY	120/220/240V
1	FB2-1175-000		1	COVER, MOTOR	
2	FH6-1559-000		1	MOTOR, DC24V	M5 J374,375
3	FS5-0724-000		1	GEAR, 32T	
4	FS6-0141-000		1	GEAR, 20T	
5	FS7-0156-000		1	GEAR, 28T	
6	FS7-0157-000		1	GEAR, 28T	
7	FS7-0158-000		1	GEAR, 25T	
8	FS7-0162-000		1	GEAR, 28T	
9	XA9-0629-000		7	SCREW,RS,M4X8	
	XA9-0629-000		2	SCREW,RS,M4X8	100V
10	XG9-0250-000		4	BEARING, BALL	
501	XD3-2200-122		1	PIN,DOWEL	
502	XD3-2200-142		2	PIN,DOWEL	
503	XD3-2200-162		1	PIN,DOWEL	
504	XD2-1100-642		8	RING,E	
505	XD2-1100-802		2	RING,E	

# FIGURE 254

## POSTCARD FEEDER DRIVE ASSEMBLY (100V)



NOTE : This assembly is included in the assembly shown in Figure 253.

FIGURE & KEY NO.	PART NUMBER	RANK	QTY	DESCRIPTION	SERIAL NUMBER / REMARKS
254 -	FG6-0862-000		1	POSTCARD FEEDER DRIVE ASSEMBLY	100V SEE NOTE
1	FB2-1178-000		1	COUPLING	
2	FH7-5741-000		1	CLUTCH, ELECTROMAGNETIC	CL18 J725
3	FS1-0542-000		1	GEAR, 22T	
4	FS1-1186-000		2	BUSHING	
5	FS5-0687-000		2	GEAR, 46T	
6	FS5-2545-000		1	SPRING, COMPRESSION	
7	VS1-5057-002		1	CONNECTOR, SNAP TIGHT	J725
8	XD9-0183-000		1	RING,C,EXTERNAL	
501	XD1-1108-223		1	SHIM	
502	XD2-1100-642		4	RING,E	
503	XD3-2200-142		1	PIN,DOWEL	

# FIGURE 255 DRUM DRIVE ASSEMBLY

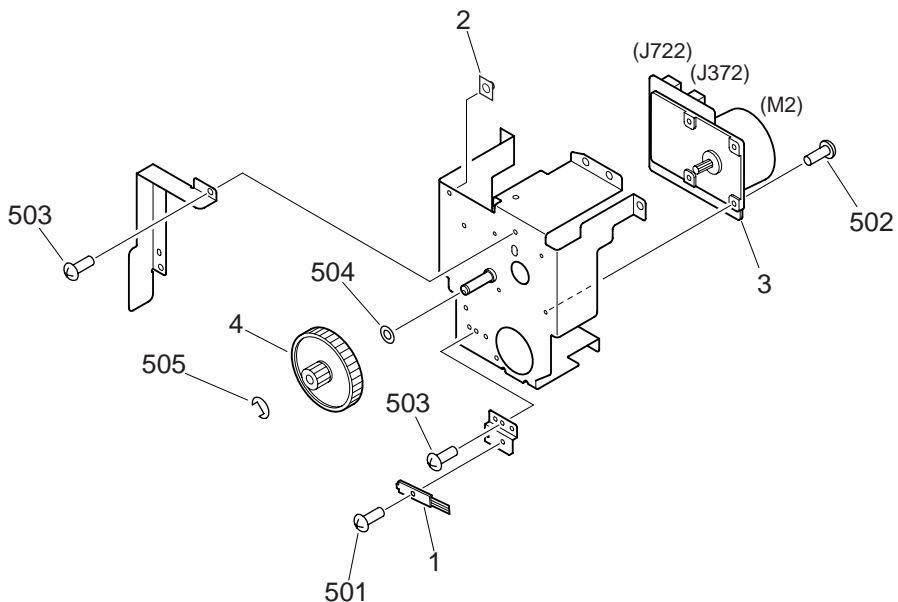


FIGURE & KEY NO.	PART NUMBER	RANK	QTY	DESCRIPTION	SERIAL NUMBER / REMARKS
255 -	FG6-0833-000		1	DRUM DRIVE ASSEMBLY	
1	FC1-1117-000		1	ELIMINATOR, STATIC CHARGE	
2	FA9-1800-000		1	CUP	
3	FH6-1554-000		1	MOTOR, DC24V	M2 J372,722
4	FS7-0140-000		1	GEAR, 20T/108T	
501	XB1-2300-609		1	SCREW, MACH., TRUSS HEAD, M3X6	
502	XB1-2300-809		4	SCREW, MACH., TRUSS HEAD, M3X8	
503	XB1-2400-609		3	SCREW, MACH., TRUSS HEAD, M4X6	
504	XD1-1108-213		1	SHIM	
505	XD2-1100-642		1	RING, E	

# FIGURE 260

## REGIST. FEEDER DRIVE ASSEMBLY

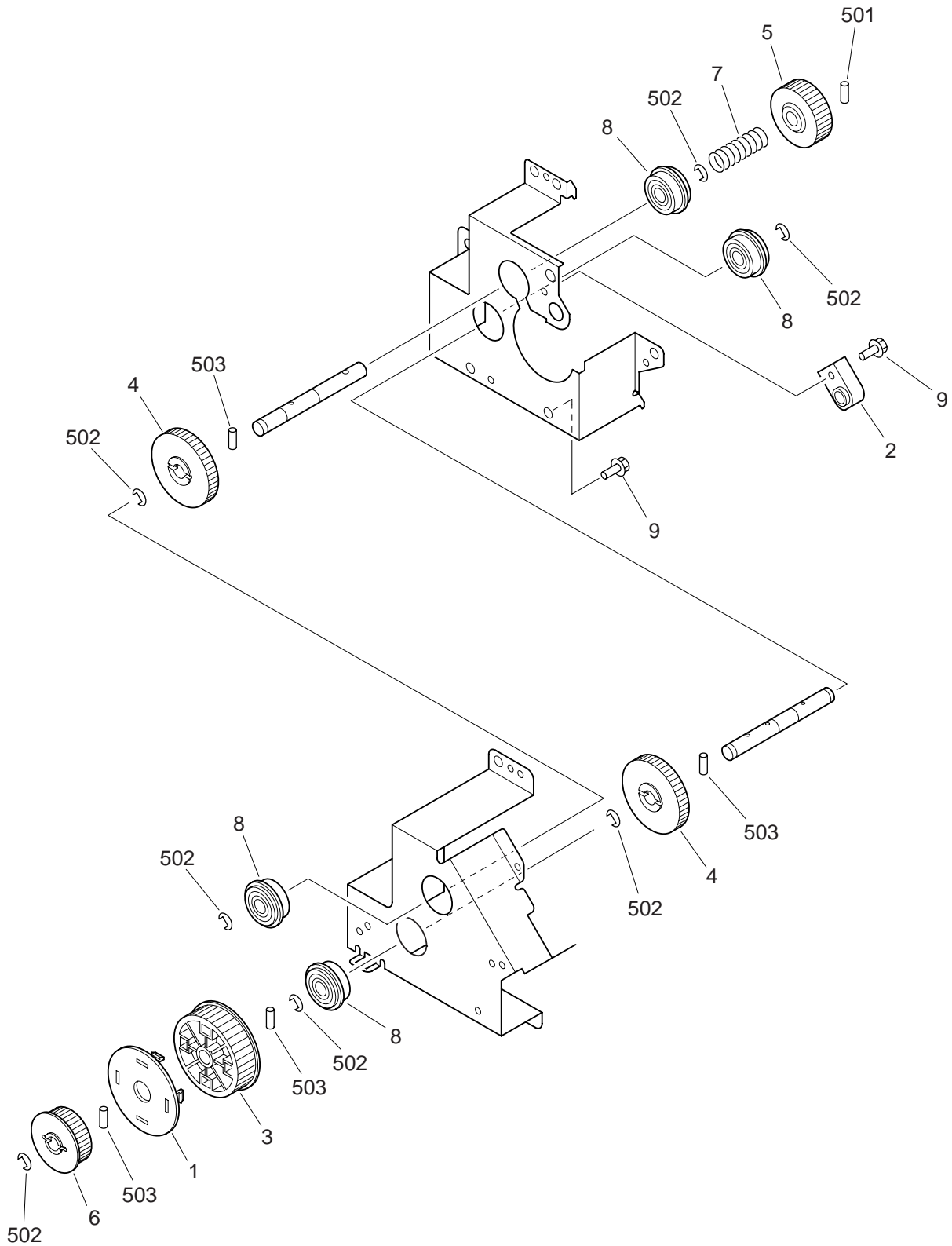


FIGURE & KEY NO.	PART NUMBER	RANK	QTY	DESCRIPTION	SERIAL NUMBER / REMARKS
260 -	FG6-0845-000		1	REGIST. FEEDER DRIVE ASSEMBLY	
1	FA6-8279-000		1	FLANGE, PULLEY	
2	FB4-4469-000		1	BUSHING, POSITIONING	
3	FS2-3486-000		1	PULLEY, 30T	
4	FS3-0570-000		2	GEAR, 40T	
5	FS5-0706-020		1	GEAR, 32T	
6	FS5-3651-000		1	PULLEY, 48T	
7	FS6-2837-000		1	SPRING, COMPRESSION	
8	XG9-0208-000		4	BEARING, BALL	
9	XA9-0629-000		5	SCREW,RS,M4X8	
501	XD3-2300-182		1	PIN,DOWEL	
502	XD2-1100-642		7	RING,E	
503	XD3-2200-162		4	PIN,DOWEL	

# FIGURE 261

## MULTI FEEDER DRIVE ASSEMBLY

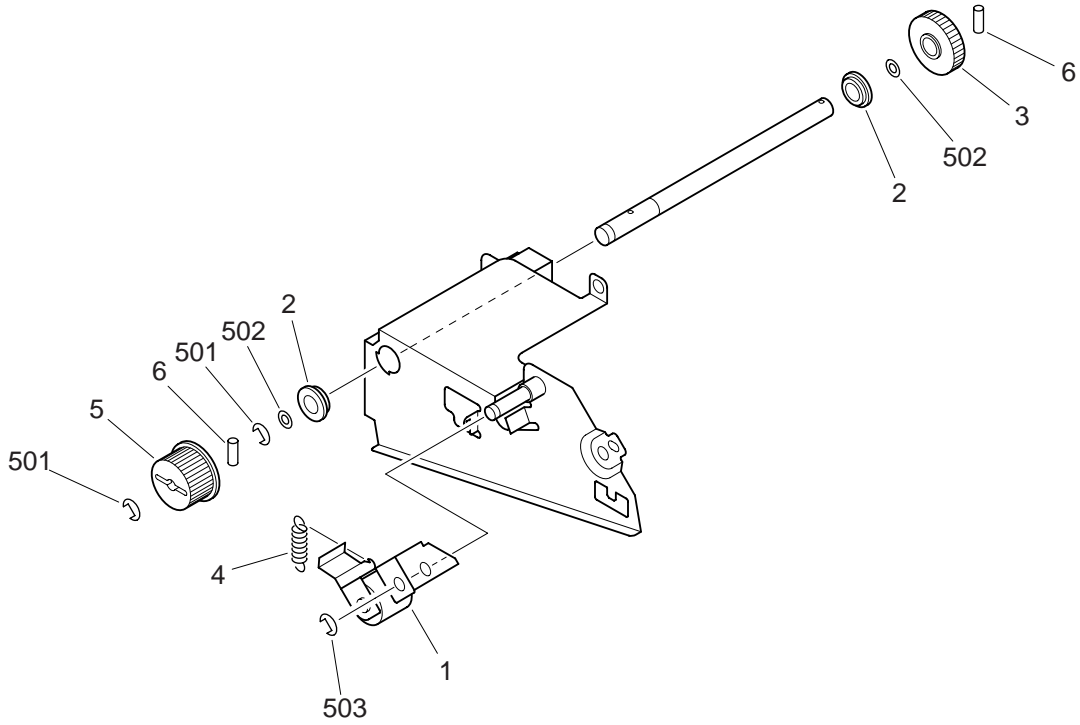


FIGURE & KEY NO.	PART NUMBER	RANK	QTY	DESCRIPTION	SERIAL NUMBER / REMARKS
261 -	FG6-0846-000		1	MULTI FEEDER DRIVE ASSEMBLY	
1	FF5-4015-000		1	ROLLER, TENSION	
2	FS1-1189-000		2	BUSHING	
3	FS4-0135-000		1	GEAR, 24T	
4	FS5-2575-000		1	SPRING, TENSION	
5	FS5-3243-000		1	PULLEY, 36T	
6	XD9-0120-000		2	PIN,DOWEL	
501	XD2-1100-642		2	RING,E	
502	XD1-1108-229		2	SHIM	
503	XD2-1100-502		1	RING,E	

# FIGURE 265

## DUPLEXING DRIVE ASSEMBLY (CLC1150)

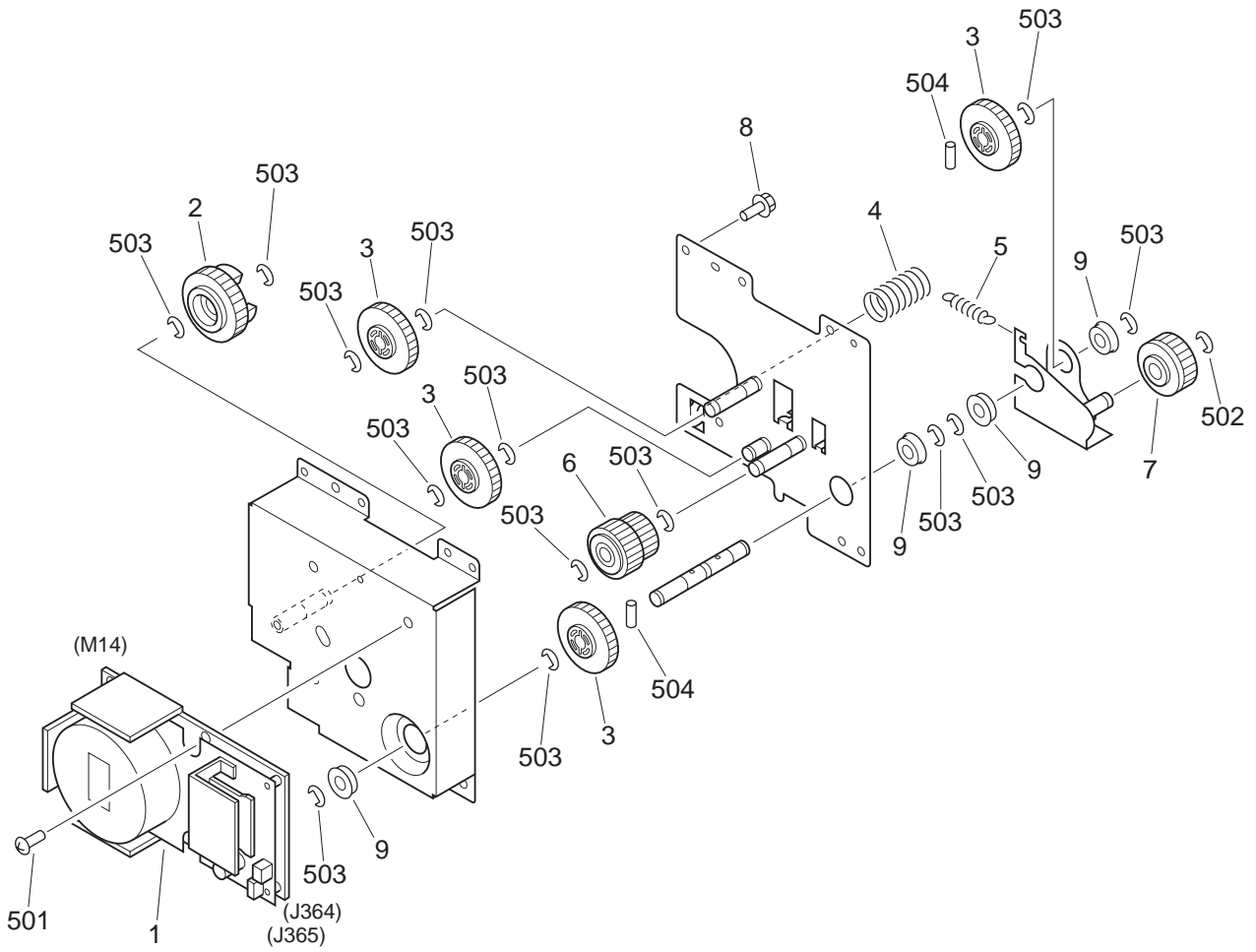
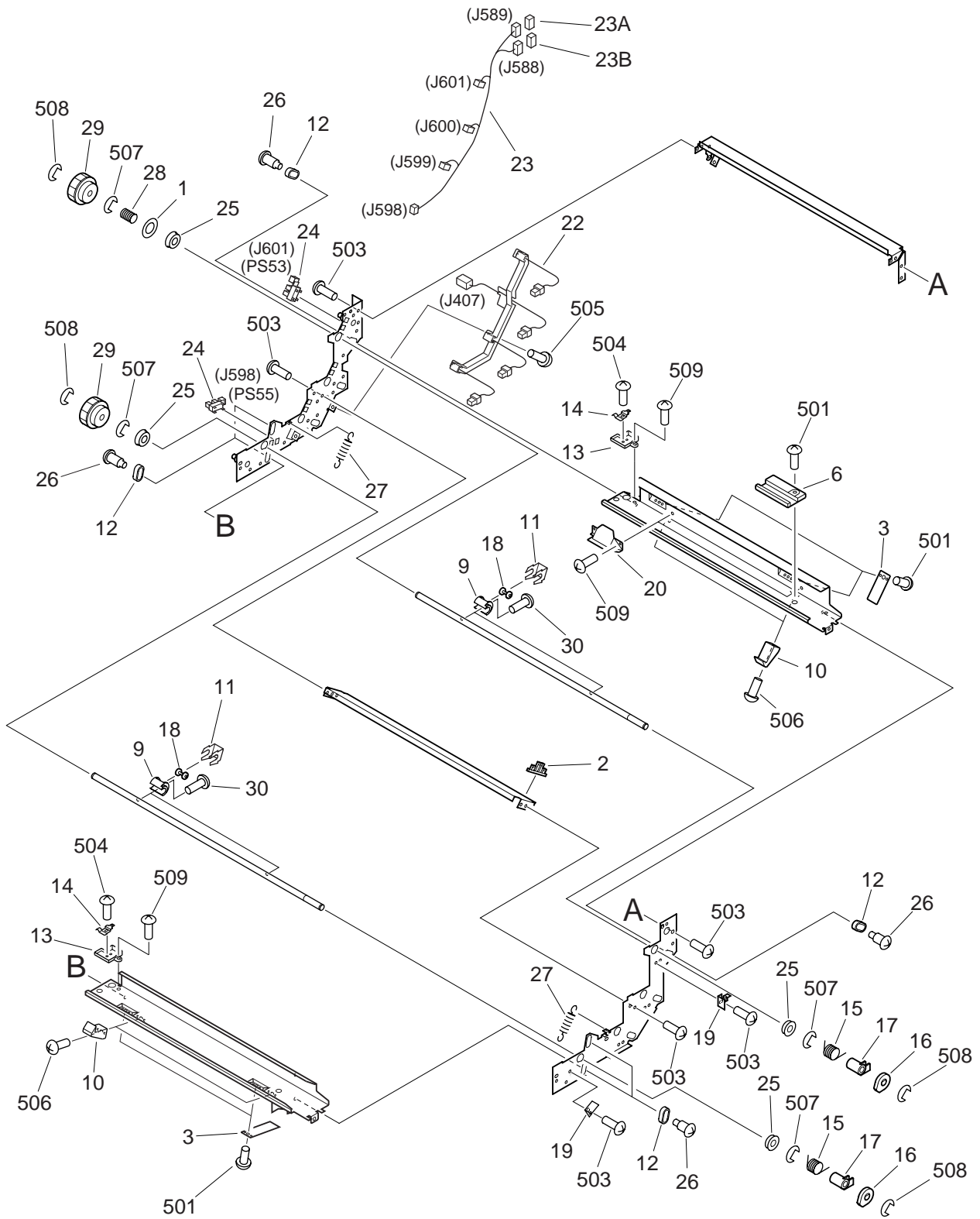


FIGURE & KEY NO.	PART NUMBER	RANK	QTY	DESCRIPTION	SERIAL NUMBER / REMARKS
265 -	FG6-0819-000		1	DUPLEXING DRIVE ASSEMBLY	CLC1150
1	FH6-1565-000		1	MOTOR, DC24V	M14 J364,365
2	FS4-0119-000		1	GEAR, 36T	
3	FS5-0662-000		4	GEAR, 36T	
4	FS6-2844-000		1	SPRING, COMPRESSION	
5	FS6-2875-000		1	SPRING, TENSION	
6	FS7-0165-000		1	GEAR, 24T/48T	
7	FS7-0166-000		1	GEAR, 28T	
8	XA9-0629-000		3	SCREW,RS,M4X8	
9	XG9-0250-000		4	BEARING, BALL	
501	XB1-2400-809		3	SCREW,MACH.,TRUSS HEAD,M4X8	
502	XD2-1100-502		1	RING,E	
503	XD2-1100-642		14	RING,E	
504	XD3-2200-162		2	PIN,DOWEL	



# FIGURE 270

## DEVELOPING PRESS ASSEMBLY (1/2)



# FIGURE 270

## DEVELOPING PRESS ASSEMBLY (2/2)

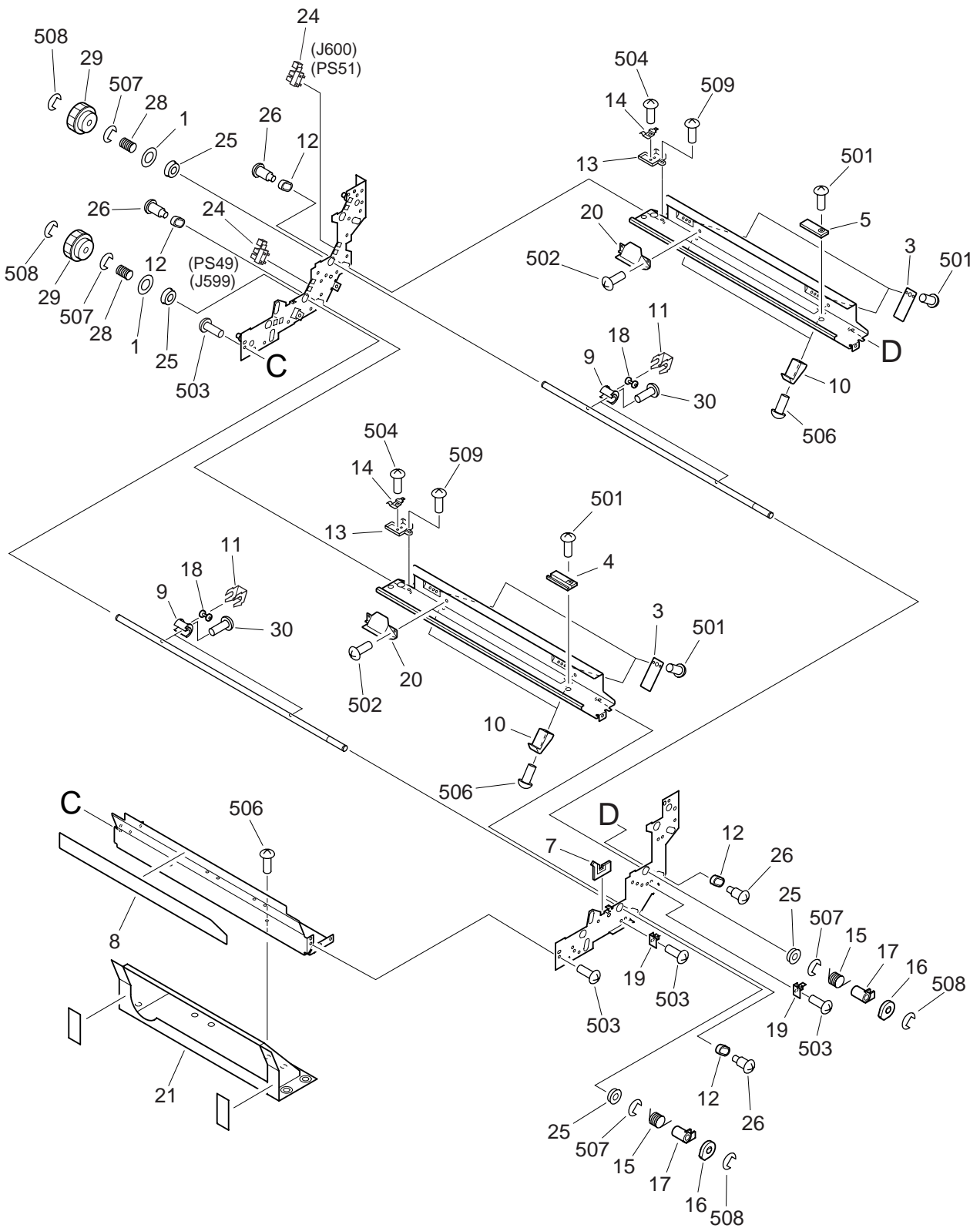


FIGURE & KEY NO.	PART NUMBER	R A N K	Q T Y	DESCRIPTION	SERIAL NUMBER / REMARKS
270 -	FG6-0786-000		1	DEVELOPING PRESS ASSEMBLY	
1	FB2-0300-000		3	WASHER	
2	FB2-0330-000		1	SLIDER	
3	FB2-1355-000		8	SPRING, LEAF	
4	FB2-1356-000		1	HOLDER, SLIDE	MAGENTA
5	FB2-1357-000		1	HOLDER, SLIDE	CYAN
6	FB2-1358-000		1	HOLDER, SLIDE	YELLOW
7	FB2-1360-000		1	HOLDER, SLIDE, 2	
8	FB4-4158-000		1	SHEET	
9	FB4-4159-000		8	CAM, DEVELOPING PRESSURE	
10	FB4-4160-000		8	SUPPORT, PRESSURE CAM	
11	FB4-4161-000		8	COVER, CAM SIDE	
12	FB4-4163-000		10	BLOCK, SLIDER	
13	FB4-4165-000		4	BLOCK, BIAS CONNECTING	
14	FB4-4166-000		4	PLATE, BIAS TERMINAL	
15	FB4-4167-000		4	SPRING, TORSION	
16	FB4-4168-000		4	LEVER, PRESSURE RELEASE	
17	FB4-4169-000		4	COLLAR, PRESSURE RELEASE	
18	FB4-4170-000		8	ROLLER, CAM PRESSURE	
19	FB4-4171-000		4	PLATE, RELEASE STOP	
20	FB4-4172-000		6	CAP, RAIL	
21	FF5-8317-000		1	DUCT, DEVELOPING, LOWER	
22	FG6-0779-000		1	DEVELOPING PRESSURE H.V. CABLE	J407
23	FG6-2460-000		1	DEVELOPING PRESSURE CABLE	J588,589,598-601
23A	VS1-5057-006		1	CONNECTOR, SNAP TIGHT	J589
23B	VS1-5057-007		1	CONNECTOR, SNAP TIGHT	J588
24	FH7-7394-000		4	PHOTO-INTERRUPTER	PS49,51,53,55 J599,600,601,598
25	FS1-1235-000		8	BUSHING	
26	FS1-9168-000		10	SCREW, STEPPED, M4X5	
27	FS5-2614-000		2	SPRING, TENSION	

FIGURE & KEY NO.	PART NUMBER	R A N K	Q T Y	DESCRIPTION	SERIAL NUMBER / REMARKS
270 - 28	FS5-2627-000		3	SPRING, COMPRESSION	
29	FS7-0139-000		4	GEAR, 36T	
30	XA9-1063-000		8	SCREW,TP,M3X8	
501	XB1-2300-409		7	SCREW,MACH.,TRUSS HEAD,M3X4	
502	XB1-2300-609		6	SCREW,MACH.,TRUSS HEAD,M3X6	
503	XB1-2400-609		14	SCREW,MACH.,TRUSS HEAD,M4X6	
504	XB2-4300-607		4	SCREW,W/WASHER,M3X6	
505	XB6-7300-609		3	SCREW,TP,M3X6	
506	XB6-7400-609		13	SCREW,TP,M4X6	
507	XD2-1100-642		8	RING,E	
508	XD2-1100-502		8	RING,E	
509	XB6-7300-409		8	SCREW,TP,M3X4	

# FIGURE 271

## TRANSFER DRUM PRESSURE ASSEMBLY

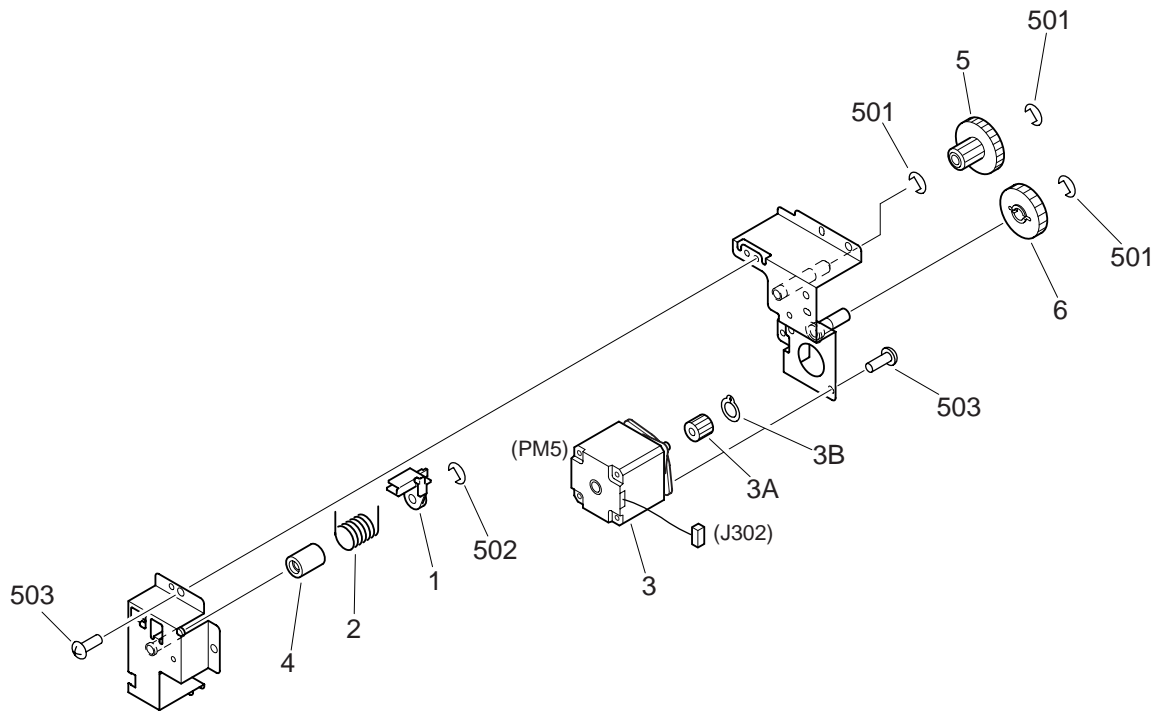
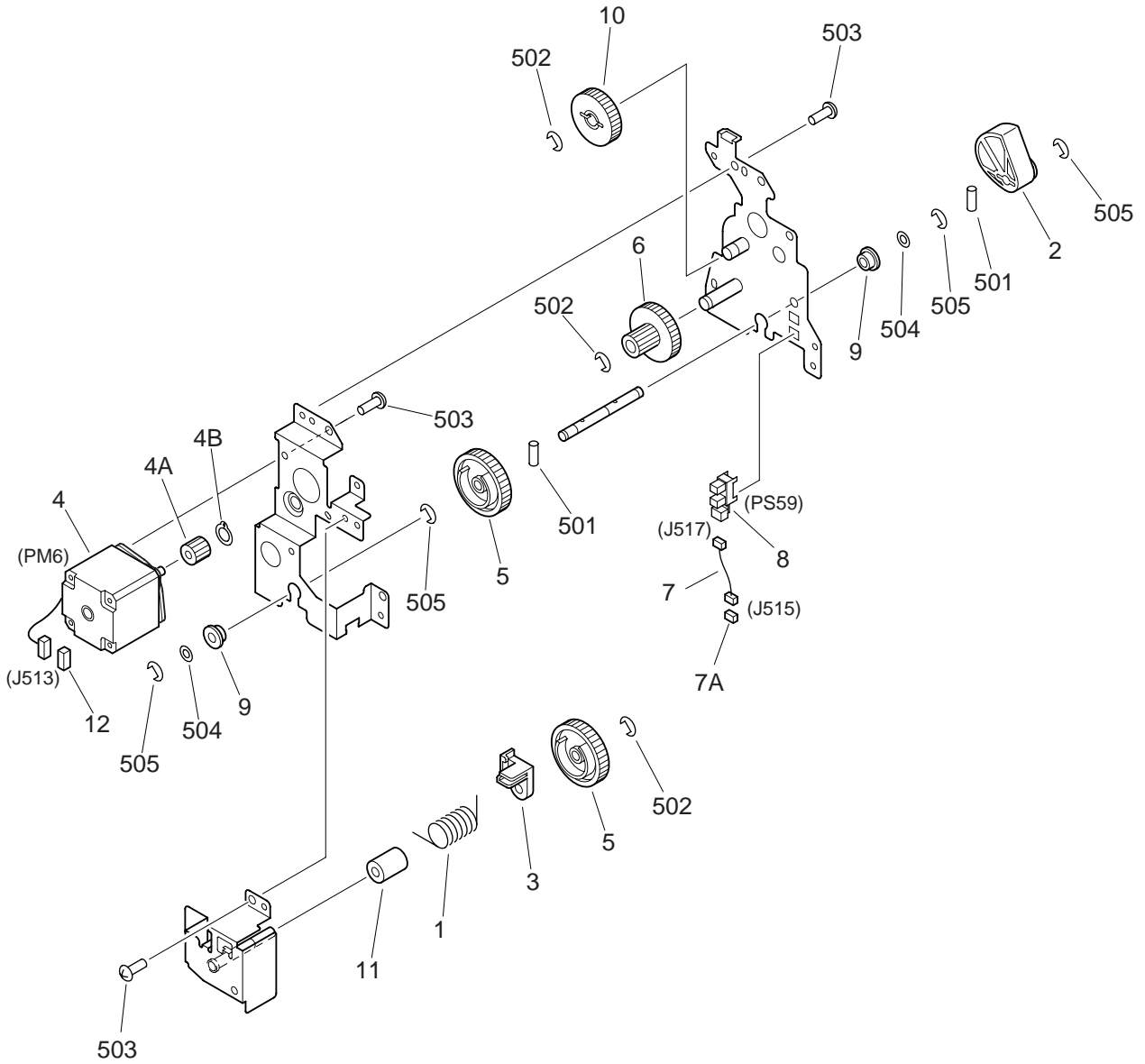


FIGURE & KEY NO.	PART NUMBER	RANK	QTY	DESCRIPTION	SERIAL NUMBER / REMARKS
271 -	FG6-0838-000		1	TRANSFER DRUM PRESSURE ASS'Y	
1	FB4-4415-000		1	BLOCK, DRUM RETURN	
2	FB4-4439-000		1	SPRING, TORSION	
3	FG6-1041-000		1	PRESSURE MOTOR ASSEMBLY	PM5 J302
3A	FS7-0143-000		1	GEAR, 14T	
3B	XD9-0185-000		1	RING,C,EXTERNAL	
4	FS5-6595-000		1	COLLAR, SPRING	
5	FS7-0144-000		1	GEAR, 16T/42T	
6	FS5-0645-000		1	GEAR, 40T	
501	XD2-1100-642		3	RING,E	
502	XD2-1100-502		1	RING,E	
503	XB1-2400-609		5	SCREW,MACH.,TRUSS HEAD,M4X6	

# FIGURE 272

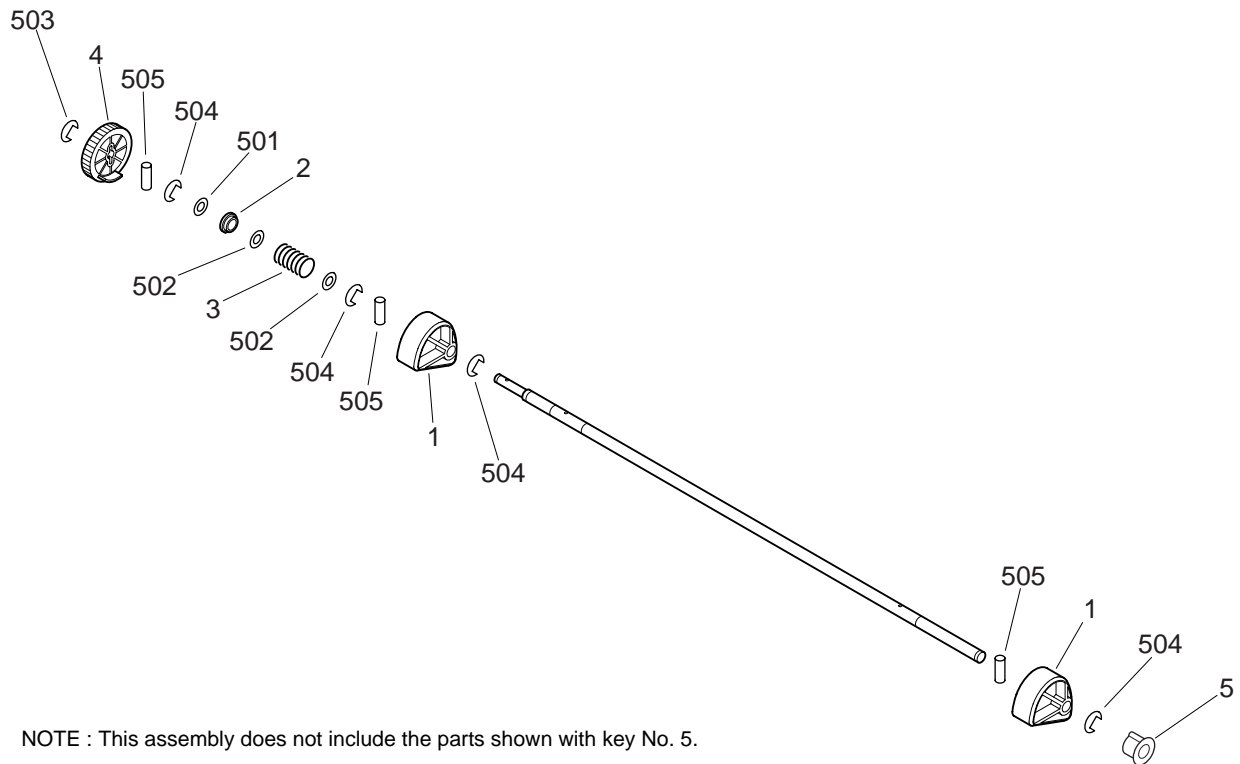
## TRA. CLEANING PRESSURE ASSEMBLY



NOTE : This assembly does not include the parts shown with key No. 12.

FIGURE & KEY NO.	PART NUMBER	R A N K	Q T Y	DESCRIPTION	SERIAL NUMBER / REMARKS
272 -	FG6-0839-000		1	TRA. CLEANING PRESSURE ASS'Y	
1	FB4-4167-000		1	SPRING, TORSION	
2	FB4-4419-000		1	CAM, PRESSURE	
3	FB4-6641-000		1	BLOCK, CLEANING RETURN	
4	FG6-1041-000		1	PRESSURE MOTOR ASSEMBLY	PM6 J513
4A	FS7-0143-000		1	GEAR, 14T	
4B	XD9-0185-000		1	RING,C,EXTERNAL	
5	FS7-0142-000		2	GEAR, 48T	
6	FS7-0144-000		1	GEAR, 16T/42T	
7	FG6-2462-000		1	CABLE, TRA. PRESSURE CONNECT	J515,517
7A	VS1-5057-003		1	CONNECTOR, SNAP TIGHT	J515
8	FH7-7394-000		1	PHOTO-INTERRUPTER	PS59 J517
9	FS1-1213-000		2	BUSHING	
10	FS5-0645-000		1	GEAR, 40T	
11	FS5-6595-000		1	COLLAR, SPRING	
12	VS1-5057-006		1	CONNECTOR, SNAP TIGHT	J513 SEE NOTE
501	XD3-2200-142		2	PIN,DOWEL	
502	XD2-1100-642		3	RING,E	
503	XB1-2400-609		7	SCREW,MACH.,TRUSS HEAD,M4X6	
504	XD1-1106-213		2	SHIM	
505	XD2-1100-502		4	RING,E	

# FIGURE 275 TRANSFER CAM ASSEMBLY



NOTE : This assembly does not include the parts shown with key No. 5.

FIGURE & KEY NO.	PART NUMBER	RANK	QTY	DESCRIPTION	SERIAL NUMBER / REMARKS
275 -	FG6-0837-000		1	TRANSFER CAM ASSEMBLY	
1	FB4-4412-000		2	CAM, TRANSFER DRUM	
2	FS1-1510-000		1	BUSHING	
3	FS5-2574-000		1	SPRING, COMPRESSION	
4	FS7-0142-000		1	GEAR, 48T	
5	FS1-1189-000		1	BUSHING	SEE NOTE
501	XD1-1108-223		1	SHIM	
502	XD1-1108-239		2	SHIM	
503	XD2-1100-502		1	RING,E	
504	XD2-1100-642		4	RING,E	
505	XD3-2200-142		3	PIN,DOWEL	



# FIGURE 290

## WASTE TONER DRIVE ASSEMBLY

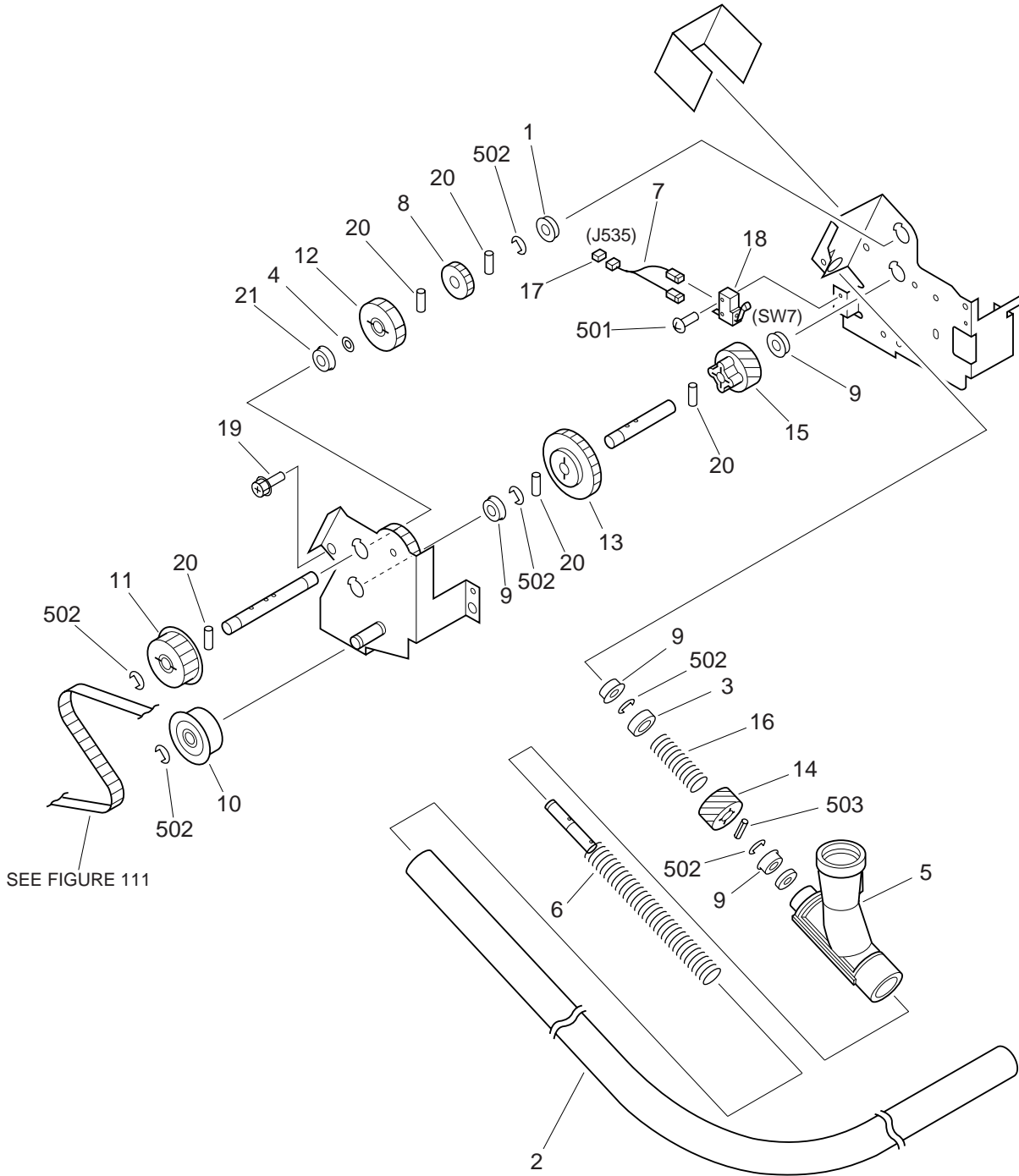


FIGURE & KEY NO.	PART NUMBER	R A N K	Q T Y	DESCRIPTION	SERIAL NUMBER / REMARKS
290 -	FG5-5636-050		1	WASTE TONER DRIVE ASSEMBLY	
1	FA9-2112-000		1	BUSHING	
2	FB2-0455-000		1	PIPE	
3	FB2-0463-000		1	RETAINER, SPRING	
4	FB2-6285-000		1	SHIM	
5	FB2-9028-000		1	PIPE, WASTE TONER	
6	FF5-4035-000		1	SHAFT, SPRING	
7	FG5-3147-000		1	WASTE TONER SENSING CABLE ASSY	J535
8	FS1-0422-000		1	GEAR, 20T	
9	FS1-1449-000		4	BUSHING	
10	FS1-6214-000		1	PULLEY	
11	FS2-3490-000		1	PULLEY, 22T	
12	FS3-0039-000		1	GEAR, 30T	
13	FS3-0168-000		1	GEAR, 40T	
14	FS5-0663-000		1	GEAR, 16T	
15	FS5-0664-020		1	GEAR, 20T	
16	FS5-2594-000		1	SPRING, COMPRESSION	
17	VS1-5057-002		1	CONNECTOR, SNAP TIGHT	J535
18	WC4-5023-000		1	MICROSWITCH	SW7
19	XA9-0629-000		4	SCREW,RS,M4X8	
20	XD9-0108-000		5	PIN,DOWEL	
21	XG9-0264-000		1	BEARING, BALL	
501	XB1-2231-009		1	SCREW,MACH.,TRUSS HEAD,M2.3X10	
502	XD2-1100-642		6	RING,E	
503	XD3-1200-142		1	PIN,SPRING	

# FIGURE 300 CASSETTE (UNIVERSAL)

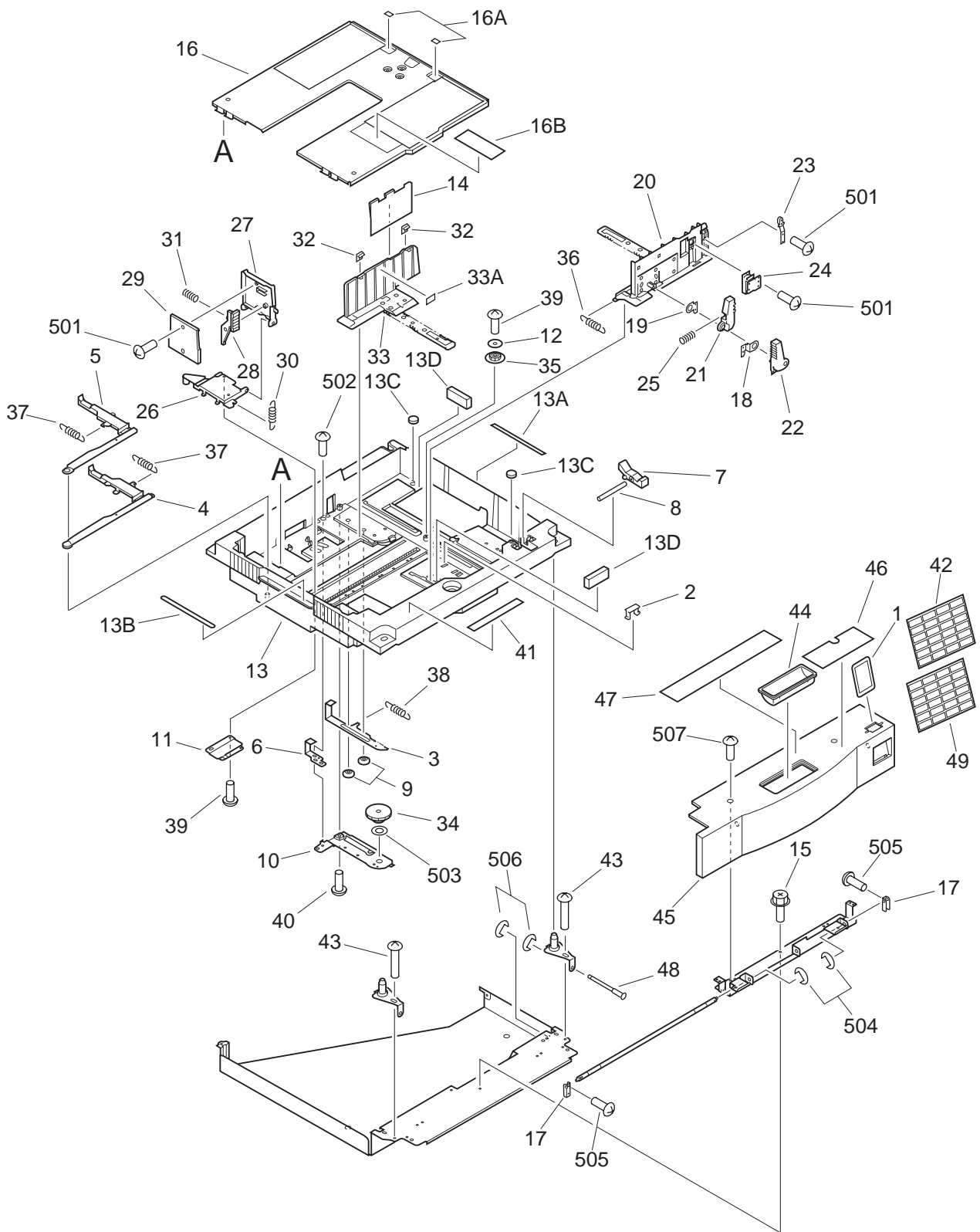
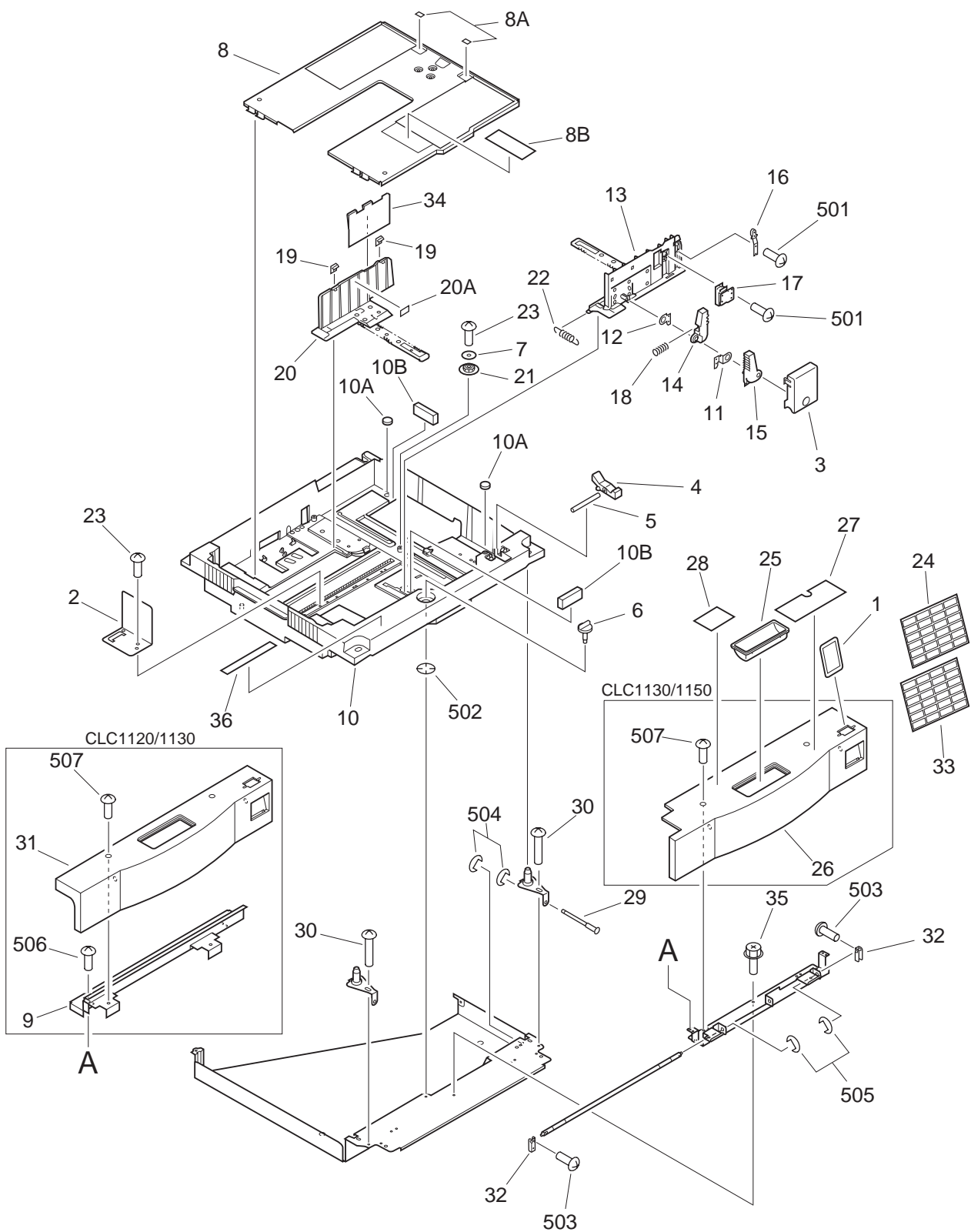


FIGURE & KEY NO.	PART NUMBER	RANK	QTY	DESCRIPTION	SERIAL NUMBER / REMARKS
300 -	NPN		RF	CASSETTE	UNIVERSAL
1	FB1-8736-000		1	PLATE, SIZE	
2	FB3-9316-000		3	CLAW, SENSING	
3	FB3-9305-000		1	PLATE, VOLUME RACK	
4	FB3-9311-000		1	CAM, END PLATE SENSING, 1	
5	FB3-9312-000		1	CAM, END PLATE SENSING, 2	
6	FB3-9313-000		1	PLATE, VOLUME	
7	FB3-9314-000		1	LEVER, RELEASE	
8	FB3-9315-000		1	SHAFT, RELEASE LEVER	
9	FB3-9319-000		2	BUSHING	
10	FB3-9320-000		1	PLATE, COVER, LOWER	
11	FB3-9326-000		1	PLATE, END GUIDE, LOWER	
12	FB3-9335-000		1	RING, GEAR STOP	
13	FF5-6183-000	N	1	BODY, CASSETTE	
13A	FB3-9329-000		1	LABEL, CASSETTE GRIP, RIGHT	
13B	FB3-9333-000		1	LABEL, CASSETTE GRIP, LEFT	
13C	FB3-9321-000		2	DAMPER	
13D	FB3-9336-000		2	PAD, SILENCER	
14	FB3-9340-000		1	COVER, SIDE GUIDE PLATE	
15	XA9-0628-000		5	SCREW,RS,M4X8	
16	FF5-6184-000		1	PLATE, PAPER LIFTING	
16A	FB1-8497-000		2	SHEET, FRICTION	
16B	FS5-8619-000		1	LABEL, SIZE	
17	FB4-5064-000		2	LINK, CASSETTE	
18	FB2-6043-000		1	PLATE, STOP, 1	
19	FB2-6044-000		1	PLATE, STOP, 2	
20	FB3-9303-020		1	PLATE, SIDE GUIDE, FRONT	
21	FB3-9322-020		1	KNOB, SIDE GUIDE, 1	
22	FB3-9323-030		1	KNOB, SIDE GUIDE, 2	
23	FF5-6186-000		1	SPRING, LEAF, 1	

FIGURE & KEY NO.	PART NUMBER	R A N K	Q T Y	DESCRIPTION	SERIAL NUMBER / REMARKS
300 - 24	FF5-6187-000		1	SPRING, LEAF, 2	
25	FS5-2650-000		1	SPRING, COMPRESSION	
26	FB3-9306-000		1	MOUNT, END GUIDE	
27	FB3-9307-000		1	PLATE, END GUIDE	
28	FB3-9308-000		1	LEVER, END GUIDE	
29	FB3-9327-000		1	COVER, END GUIDE PLATE	
30	FS5-2328-000		1	SPRING, TENSION	
31	FS6-2694-000		1	SPRING, COMPRESSION	
32	FB3-9337-000		2	CLAW, SIDE	
33	FF5-6189-000		1	PLATE, SIDE GUIDE, REAR	
33A	FS5-8618-000		1	LABEL, "MAXIMUM LOAD"	
34	FS5-0532-000		1	GEAR, 15T/42T	
35	FS6-0929-000		1	GEAR, 16T	
36	FS6-2691-000		1	SPRING, TENSION	
37	FS6-2692-000		2	SPRING, TENSION	
38	FS6-2693-000		1	SPRING, TENSION	
39	XA9-0591-000		3	SCREW,M3X8	
40	XA9-0605-000		2	SCREW,M4X8	
41	FS6-8411-000		1	LABEL, UNIVERSAL CASSETTE	
42	FS6-8710-000		1	LABEL, CASSETTE SIZE	
43	XA9-0207-000		2	SCREW	
44	FB4-3954-000		1	KNOB	
45	FB4-4003-000		1	COVER, CASSETTE FRONT	
46	FS6-8526-000		1	LABEL, CASSETTE OHP SET	
47	FS6-8545-000		1	LABEL, CASSETTE OPERATION	
48	FB3-9358-000		1	SCREW, REGISTRATION ADJUSTING	
49	FS5-8620-000		1	LABEL, PAPER SIZE	
501	XB4-7300-607		4	SCREW,TAPPING,TRUSS HEAD,M3X6	
502	XB1-2400-609		1	SCREW,MACH.,TRUSS HEAD,M4X6	
503	XD1-1108-235		1	SHIM	

FIGURE & KEY NO.	PART NUMBER	R A N K	Q T Y	DESCRIPTION	SERIAL NUMBER / REMARKS
300 - 504	XD2-1100-502		2	RING,E	
505	XB1-2300-609		2	SCREW,MACH.,TRUSS HEAD,M3X6	
506	XD2-1100-322		2	RING,E	
507	XB1-2400-606		2	SCREW,MACH.,TRUSS HEAD,M4X6	

# FIGURE 301 CASSETTE (SIZE FIXED)



NOTE : The parts identified by Key Nos. 9 and 31 are used for the topmost cassette holder only.

FIGURE & KEY NO.	PART NUMBER	R A N K	Q T Y	DESCRIPTION	SERIAL NUMBER / REMARKS
301 -	NPN		RF	CASSETTE	SIZE FIXED
1	FB1-8736-000		1	PLATE, SIZE	
2	FB3-9330-000		1	PLATE, END GUIDE	
3	FB3-9332-000		1	COVER, SIDE GUIDE	
4	FB3-9314-000		1	LEVER, RELEASE	
5	FB3-9315-000		1	SHAFT, RELEASE LEVER	
6	FB3-9331-000		1	SCREW, CASSETTE FIXING	
7	FB3-9335-000		1	RING, GEAR STOP	
8	FF5-6184-000		1	PLATE, PAPER LIFTING	
8A	FB1-8497-000		2	SHEET, FRICTION	
8B	FS5-8619-000		1	LABEL, SIZE	
9	FB4-4642-000		1	COVER, CASSETTE	CLC1120/1130 SEE NOTE
10	FF5-6188-000	N	1	BODY, CASSETTE	
10A	FB3-9321-000		2	DAMPER	
10B	FB3-9336-000		2	PAD, SILENCER	
11	FB2-6043-000		1	PLATE, STOP, 1	
12	FB2-6044-000		1	PLATE, STOP, 2	
13	FB3-9303-020		1	PLATE, SIDE GUIDE, FRONT	
14	FB3-9322-020		1	KNOB, SIDE GUIDE, 1	
15	FB3-9323-030		1	KNOB, SIDE GUIDE, 2	
16	FF5-6186-000		1	SPRING, LEAF, 1	
17	FF5-6187-000		1	SPRING, LEAF, 2	
18	FS5-2650-000		1	SPRING, COMPRESSION	
19	FB3-9337-000		2	CLAW, SIDE	
20	FF5-6185-030		1	PLATE, SIDE GUIDE, REAR	
20A	FS5-8618-000		1	LABEL, "MAXIMUM LOAD"	
21	FS6-0929-000		1	GEAR, 16T	
22	FS6-2691-000		1	SPRING, TENSION	
23	XA9-0591-000		3	SCREW, M3X8	
24	FS6-8710-000		1	LABEL, CASSETTE SIZE	



FIGURE & KEY NO.	PART NUMBER	RANK	QTY	DESCRIPTION	SERIAL NUMBER / REMARKS
301 - 25	FB4-3954-000		1	KNOB	
26	FB4-4003-000		1	COVER, CASSETTE FRONT	CLC1130/1150
27	FS6-8526-000		1	LABEL, CASSETTE OHP SET	
28	FS6-8542-000		1	LABEL, CASSETTE OPERATION	
29	FB3-9358-000		1	SCREW, REGISTRATION ADJUSTING	
30	XA9-0207-000		2	SCREW	
31	FB4-4982-000		1	COVER, DUPLEXING DECK	CLC1120/1130 SEE NOTE
32	FB4-5064-000		2	LINK, CASSETTE	
33	FS5-8620-000		1	LABEL, PAPER SIZE	
34	FB3-9340-000		1	COVER, SIDE GUIDE PLATE	
35	XA9-0628-000		5	SCREW,RS,M4X8	
36	FS6-8411-000		1	LABEL, UNIVERSAL CASSETTE	
501	XB4-7300-607		4	SCREW,TAPPING,TRUSS HEAD,M3X6	
502	XD2-2300-502		1	RING,TOOTHED LOCK	
503	XB1-2300-609		2	SCREW,MACH.,TRUSS HEAD,M3X6	
504	XD2-1100-322		2	RING,E	
505	XD2-1100-502		2	RING,E	
506	XB1-2400-609		2	SCREW,MACH.,TRUSS HEAD,M4X6	CLC1120/1130
507	XB1-2400-606		4	SCREW,MACH.,TRUSS HEAD,M4X6	

# FIGURE 305 CASSETTE HEATER ASSEMBLY

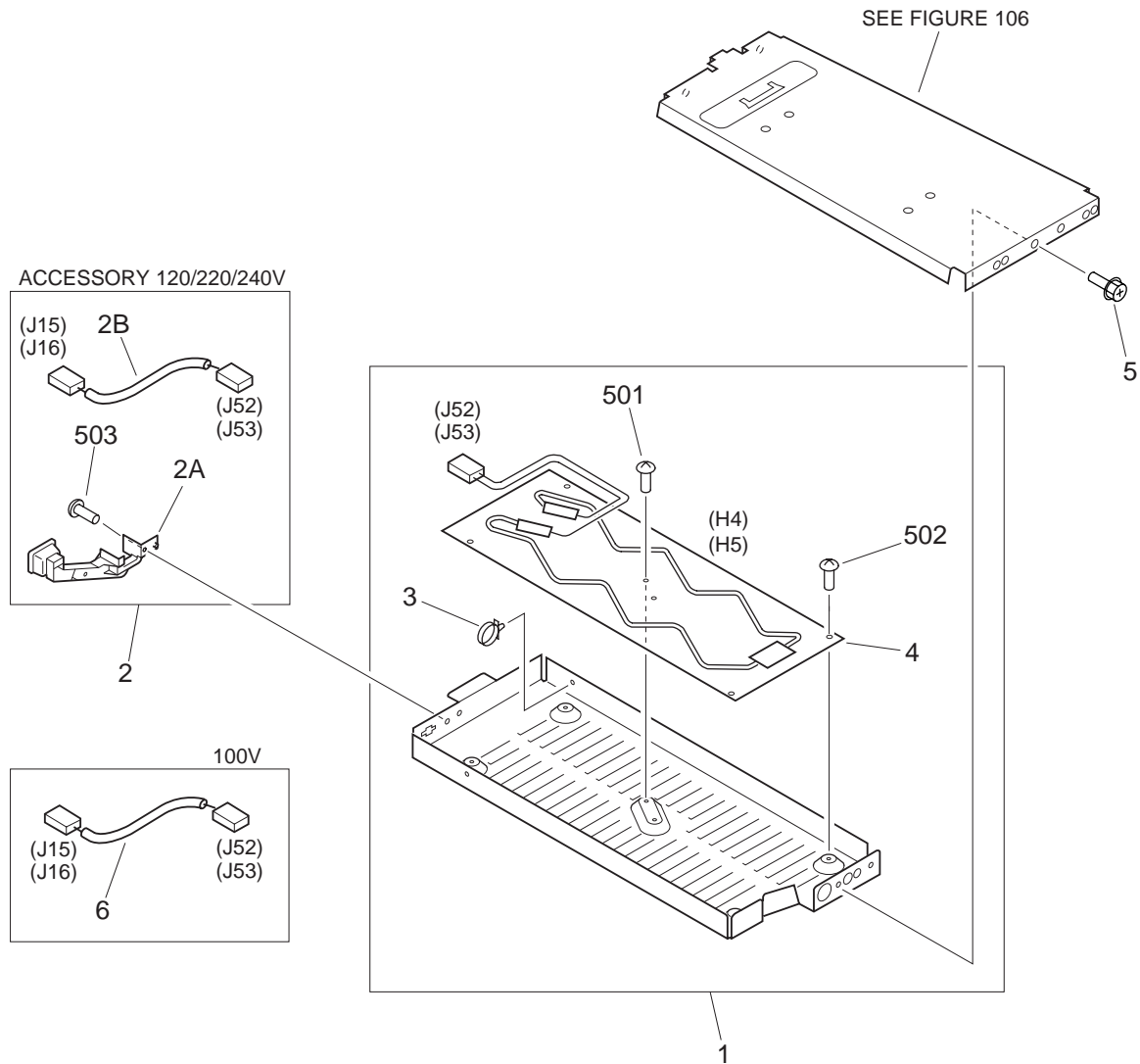
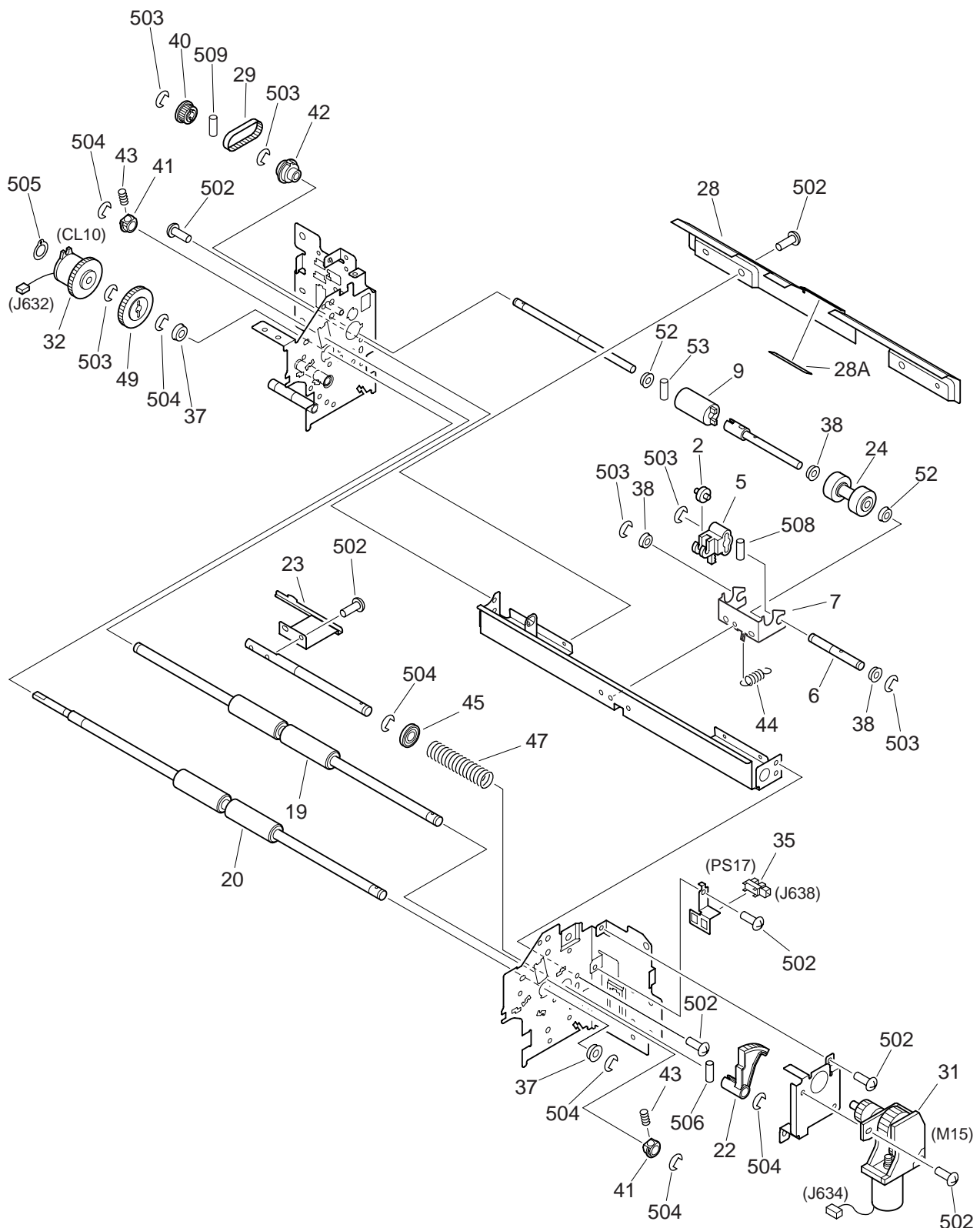


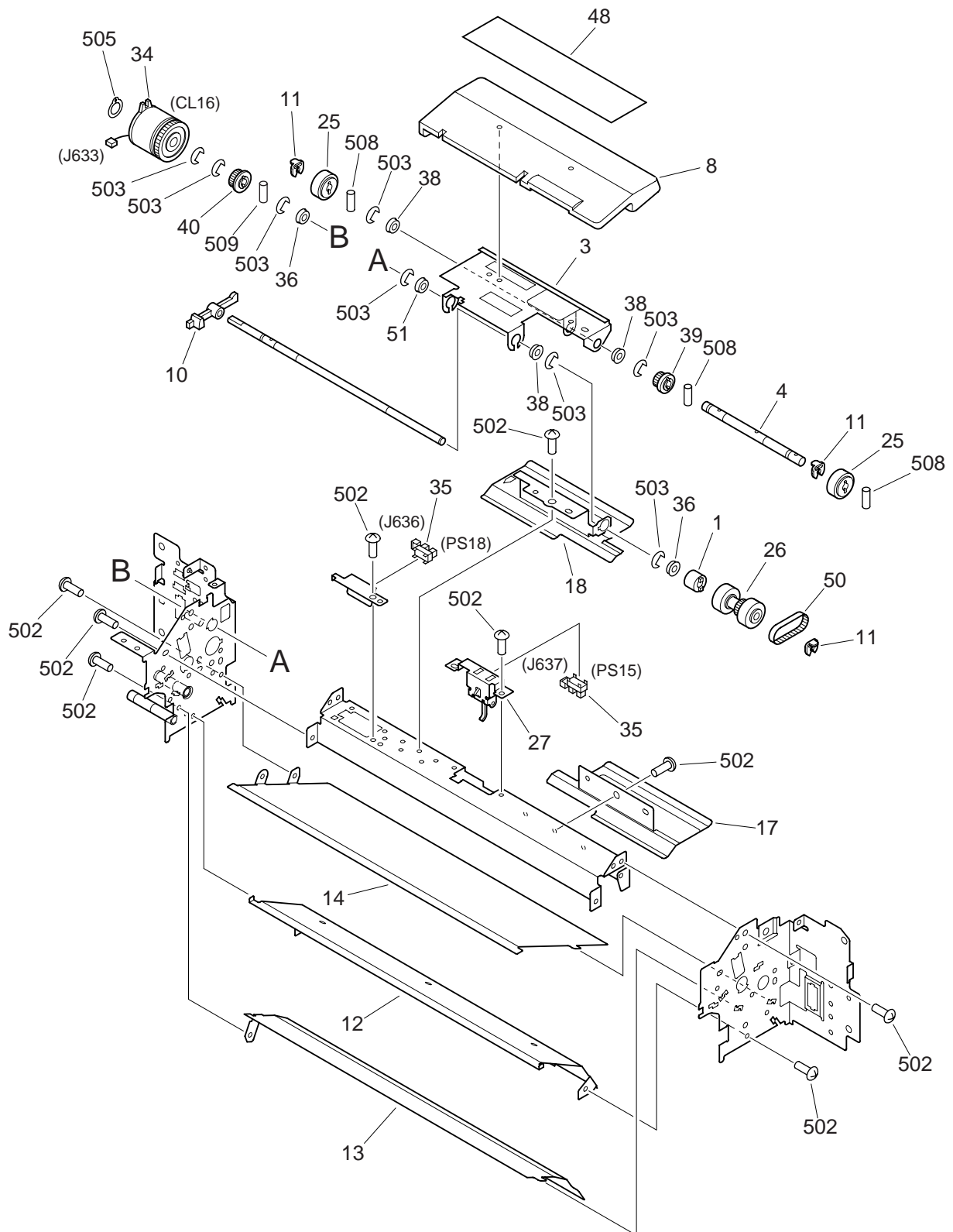
FIGURE & KEY NO.	PART NUMBER	RANK	QTY	DESCRIPTION	SERIAL NUMBER / REMARKS
305 -	NPN		RF	CASSETTE HEATER ASSEMBLY	100V ACCESSORY 120/220/240V
1	FG2-9811-000		2	CASSETTE HEATER UNIT	CLC1130 100V
	FG2-9811-000		1	CASSETTE HEATER UNIT	CLC1150 100V
	FG2-9812-000		1	CASSETTE HEATER ASSEMBLY	CLC1120/1150 220/240V
	FG2-9812-000		2	CASSETTE HEATER ASSEMBLY	CLC1130 220/240V
2	FG2-9195-000		1	CORD GUIDE ASSEMBLY	CLC1120/1150 120/220/240V
	FG2-9195-000		2	CORD GUIDE ASSEMBLY	CLC1130 220/240V
2A	FB3-9910-000		1	GUIDE, HEATER CABLE	120/220/240V
2B	FG5-9419-000		1	CABLE, HEATER	CLC1120/1150 120/220/240V
3	WT2-5041-000		1	TIE, CABLE	J15,52 CLC1130 220/240V J15,16,52,53
4	FH7-4584-000		1	HEATER, CASSETTE	CLC1130 100V H4,5 J52,53 CLC1150 100V H4 J52
	FH7-4610-000		1	HEATER, CASSETTE	120V H4 J52
	FH7-4585-000		1	HEATER, CASSETTE	CLC1130 220/240V H4,5 J52,53 CLC1120/1150 220/240V H4 J52
5	XA9-0629-000		2	SCREW,RS,M4X8	
6	FG6-2422-000		2	CABLE, CASSETTE HEATER	CLC1130 100V J15,16,52,53
501	FG6-2422-000		1	CABLE, CASSETTE HEATER	CLC1150 100V J15,52
502	XB6-7300-409		1	SCREW,TP,M3X4	
503	XB1-2400-409		4	SCREW,MACH.,TRUSS HEAD,M4X4	
	XB6-7400-609		1	SCREW,TP,M4X6	

# FIGURE 310 MULTI PAPER FEED ASSEMBLY (1/3)



NOTE : This assembly includes the assembly shown in Figure 311.

# FIGURE 310 MULTI PAPER FEED ASSEMBLY (2/3)



# FIGURE 310

## MULTI PAPER FEED ASSEMBLY (3/3)

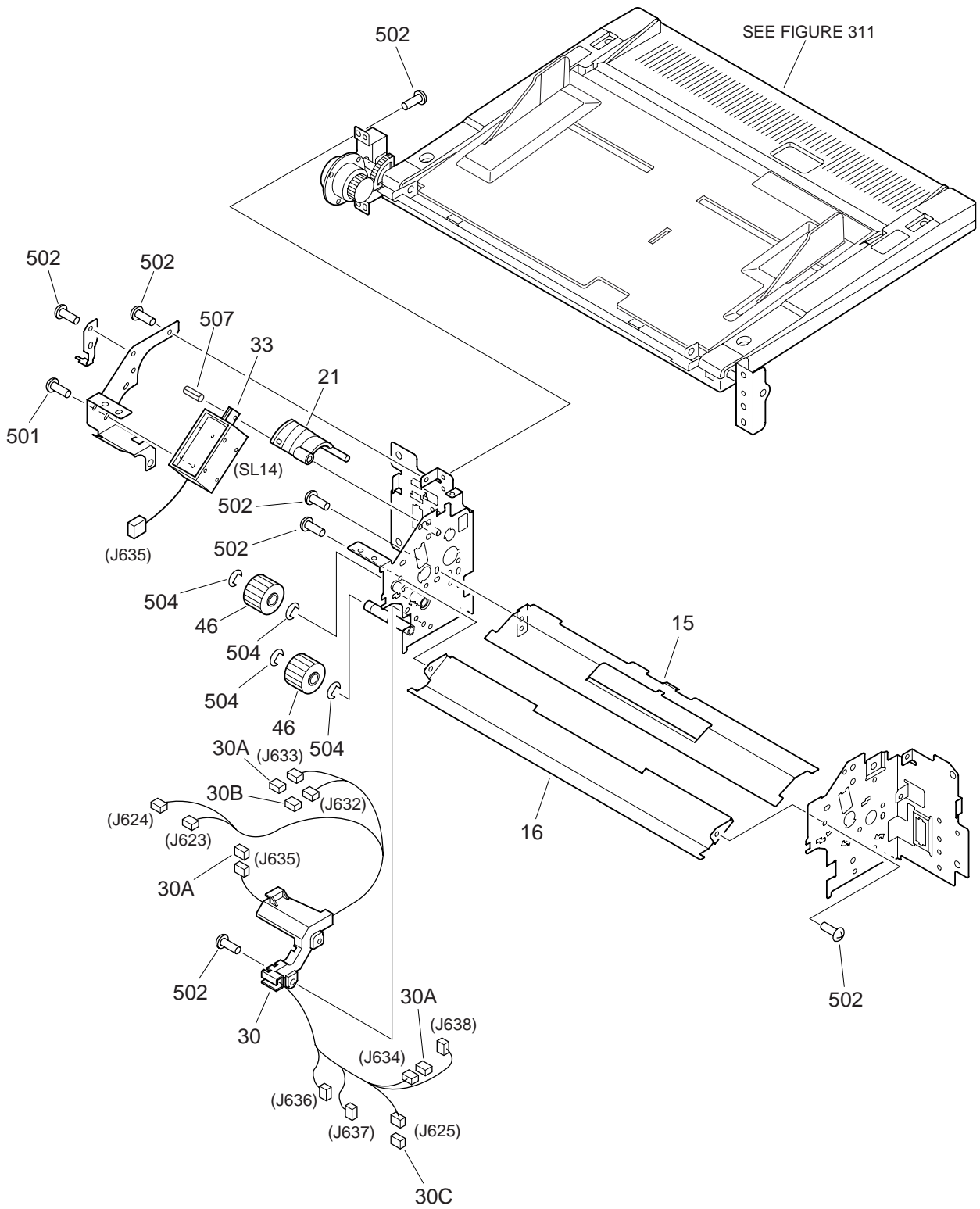


FIGURE & KEY NO.	PART NUMBER	R A N K	Q T Y	DESCRIPTION	SERIAL NUMBER / REMARKS
310 -	FG6-0880-000		1	MULTI PAPER FEED ASSEMBLY	SEE NOTE
1	FA6-7728-000		1	COLLAR, FEEDER ROLLER	
2	FA6-8071-000		1	ROLLER	
3	FB2-3291-000		1	PLATE, PICK-UP	
4	FB2-3292-000		1	SHAFT, PICK-UP, 1	
5	FB2-3294-000		1	ARM, RETARD	
6	FB2-3295-000		1	SHAFT, RETARD ARM	
7	FB4-5167-000		1	PLATE, ROLLER SUPPORT	
8	FB2-4192-000		1	COVER, CENTER	
9	FA6-7734-000		1	JOINT, ROLLER	
10	FB3-1305-000		1	ARM, FLAG	
11	FA3-8727-000		3	RING, RETAINING	
12	FB4-4607-000		1	PLATE, PAPER GUIDE, 1	
13	FB4-4608-000		1	PLATE, PAPER GUIDE, 2	
14	FB4-4609-000		1	PLATE, PAPER GUIDE, 3	
15	FB4-4610-000		1	PLATE, PAPER GUIDE, 4	
16	FB4-4611-000		1	PLATE, PAPER GUIDE, 5	
17	FB4-4612-000		1	PLATE, INLET GUIDE, UPPER 1	
18	FB4-4613-000		1	PLATE, INLET GUIDE, UPPER 2	
19	FB4-4618-000		1	ROLLER, PULL-OUT, UPPER	
20	FB4-4619-000		1	ROLLER, PULL-OUT, LOWER	
21	FB4-4621-000		1	LINK, PAPER PICK-UP	
22	FB4-4623-000		1	GEAR, 10T	
23	FB4-4625-000		1	PLATE, PAPER LIFTING	
24	FF2-4710-000		1	ROLLER, MULTI SEPARATION	
25	FF5-4327-000		2	ROLLER, PICK-UP	
26	FF5-4331-000		1	ROLLER, FEED	
27	FF5-8291-000		1	MOUNT, REGISTRATION SENSOR	
28	FF5-8292-000		1	PLATE, INLET GUIDE, LOWER	
28A	FB4-4583-000		1	SHEET, PAPER GUIDE	

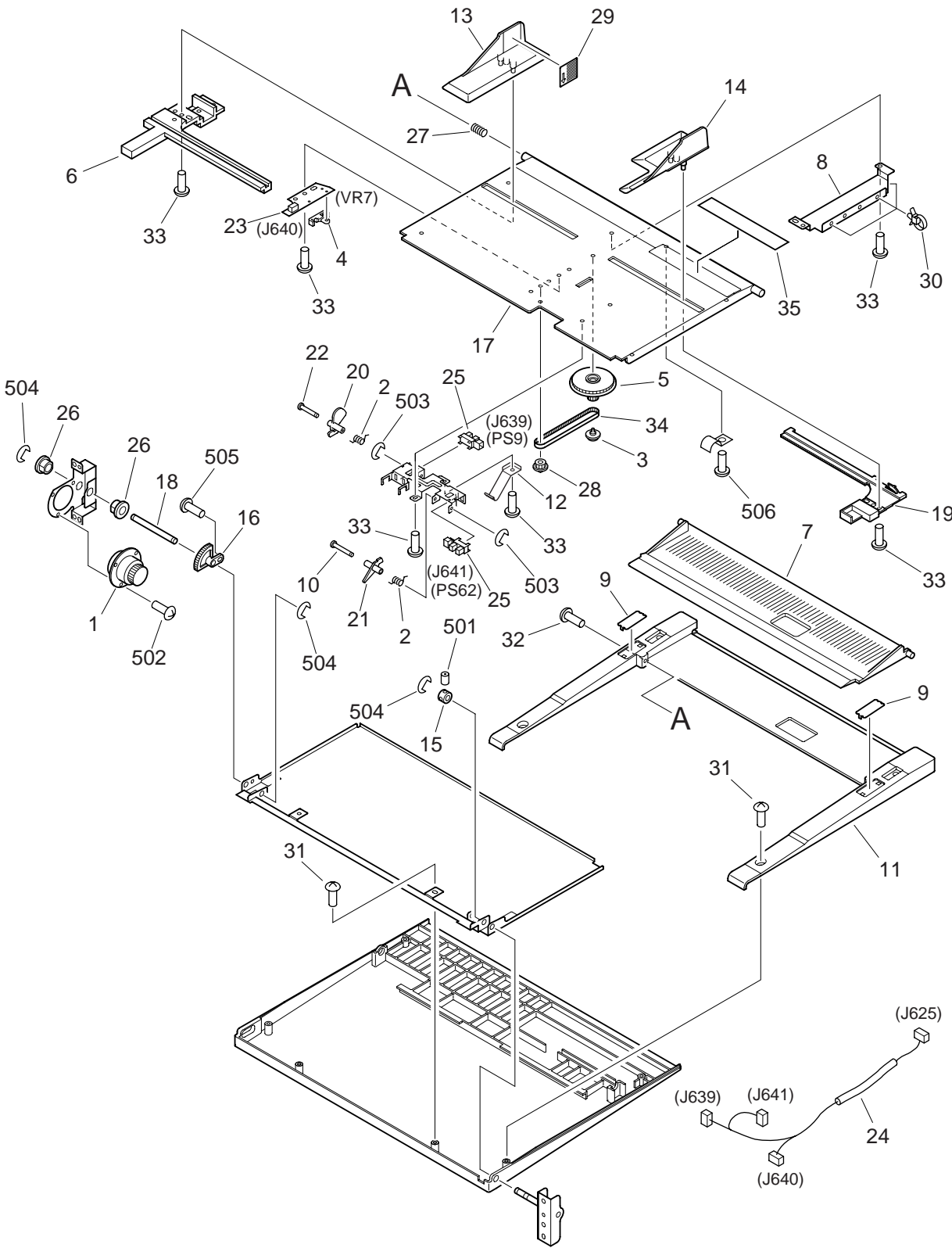
FIGURE & KEY NO.	PART NUMBER	RANK	QTY	DESCRIPTION	SERIAL NUMBER / REMARKS
310 - 29	XF9-0359-000		1	BELT, TIMING, 44T	
30	FG6-2463-000		1	CABLE, MULTI PAPER PICK-UP	J623-625,632-638
30A	VS1-5057-002		3	CONNECTOR, SNAP TIGHT	J633-635
30B	VS1-5057-003		1	CONNECTOR, SNAP TIGHT	J632
30C	VS1-5057-009		1	CONNECTOR, SNAP TIGHT	J625
31	FH6-1115-020		1	MOTOR, DC 24V	M15 J634
32	FH7-5518-000		1	CLUTCH, EM	CL10 J632
33	FH7-5520-000		1	SOLENOID, DC24V	SL14 J635
34	FH7-5852-000		1	CLUTCH, ELECTROMAGNETIC	CL16 J633
35	FH7-7394-000		3	PHOTO-INTERRUPTER	PS15,17,18 J637,638,636
36	FS1-1508-000		2	BUSHING	
37	FS1-1509-000		2	BUSHING	
38	FS1-1512-000		6	BUSHING	
39	FS2-3503-000		1	PULLEY, 20T	
40	FS2-3504-000		2	PULLEY, 24T	
41	FS5-1821-000		2	BUSHING	
42	FS5-1822-000		1	BUSHING	
43	FS5-2285-000		2	SPRING, COMPRESSION	
44	FS5-2717-000		1	SPRING, TENSION	
45	FS5-6594-000		1	RING, LIFTER SWING STOP	
46	FS6-0054-000		2	GEAR, 24T	
47	FS6-2863-000		1	SPRING, COMPRESSION	
48	FS6-8544-000		1	LABEL, "PAPER MANUAL INSERT"	
49	FS7-0128-000		1	GEAR, 32T	
50	XF9-0355-000		1	BELT, TIMING	
51	FS5-1841-000		1	BUSHING	
52	FS2-1357-000		2	BUSHING	
53	XD9-0156-000		1	PIN,DOWEL	
501	XB1-2300-609		4	SCREW,MACH.,TRUSS HEAD,M3X6	
502	XB1-2400-609		AR	SCREW,MACH.,TRUSS HEAD,M4X6	



FIGURE & KEY NO.	PART NUMBER	R A N K	Q T Y	DESCRIPTION	SERIAL NUMBER / REMARKS
310 - 503	XD2-1100-502		14	RING,E	
504	XD2-1100-642		10	RING,E	
505	XD2-2100-602		2	RING,GRIP	
506	XD3-2300-162		1	PIN,DOWEL	
507	XD3-1300-102		1	PIN,SPRING	
508	XD3-2200-102		4	PIN,DOWEL	
509	XD3-2200-122		2	PIN,DOWEL	

# FIGURE 311

# MULTI PAPER FEED TRAY ASSEMBLY



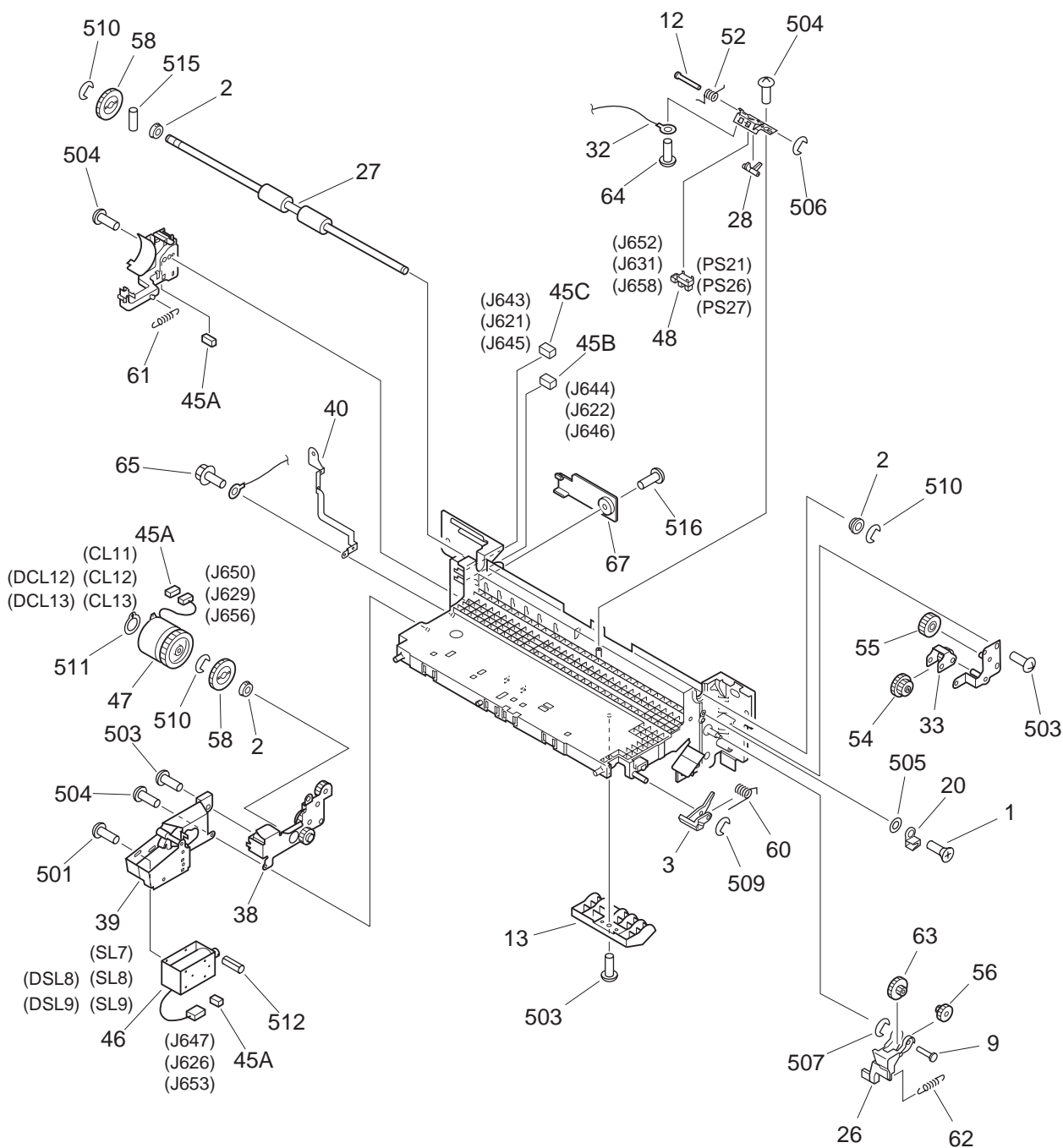
NOTE 1 : This assembly is included in the assembly shown in Figure 310.

FIGURE & KEY NO.	PART NUMBER	R A N K	Q T Y	DESCRIPTION	SERIAL NUMBER / REMARKS
311 -	FG6-0877-000		1	MULTI PAPER FEED TRAY ASSEMBLY	SEE NOTE 1
1	CD1-1736-000		1	DAMPER, ROTARY, 2	
2	FB4-4008-000		2	SPRING, TORSION	
3	FB1-8620-000		1	RING, PULLEY	
4	FB1-8621-000		1	PLATE, LOCK	
5	FB1-8625-000		1	GEAR, 18T	
6	FB2-3343-000		1	RACK, 1	
7	FB2-3349-010		1	TRAY, SLIDE	
8	FB2-4194-000		1	PLATE, CABLE GUIDE	
9	FB2-4195-000		2	PLATE, MAGNET	
10	FB2-7633-000		1	SHAFT, SENSOR	
11	FB4-4631-000		1	TRAY, MULTI FEED, UPPER	
12	FB4-5213-000		1	PLATE, GROUNDING	
13	FB4-4633-000		1	GUIDE, PAPER SIDE, REAR	
14	FB4-4634-000		1	GUIDE, PAPER SIDE, FRONT	
15	FB4-4635-000		1	RING, THRUST STOP	
16	FB4-4638-000		1	GEAR, 11T	
17	FB4-4639-000		1	TRAY, MULTI FEED, MIDDLE	
18	FB4-4640-000		1	SHAFT, TRAY SUPPORT, REAR	
19	FB4-4641-000		1	PLATE, RACK, FRONT	
20	FB4-4643-000		1	FLAG, PAPER SENSOR, 1	
21	FB4-4644-000		1	FLAG, PAPER SENSOR, 2	
22	FB4-5063-000		1	SHAFT, SENSOR FLAG	
23	FG5-4325-000		1	MULTI VR PCB UNIT	VR7 J640
24	FG6-2464-000		1	CABLE, MULTI TRAY	J625,639-641
25	FH7-7394-000		2	PHOTO-INTERRUPTER	PS9,62 J639,641
26	FS1-1512-000		2	BUSHING	
27	FS5-2730-000		1	SPRING, COMPRESSION	
28	FS5-3177-000		1	PULLEY, IDLER	
29	FS6-8022-000		1	LABEL, "LIMIT PAPER HEIGHT"	

FIGURE & KEY NO.	PART NUMBER	RANK	QTY	DESCRIPTION	SERIAL NUMBER / REMARKS
311 - 30	WT2-5169-000		3	CLAMP, CABLE	
31	XA9-0605-000		6	SCREW,M4X8	
32	XA9-0882-000		1	SCREW,MACH.,TRUSS HEAD,M3X12	
33	XA9-0915-000		7	SCREW,P,M3X6	
34	XF9-0393-000		1	BELT, TIMING	
35	FS6-8536-000		1	LABEL, MANUAL FEED PAPER SIZE	AB SIZE SEE NOTE 2
	FS6-8537-000		1	LABEL, MANUAL FEED PAPER SIZE	AB/INCH SIZE SEE NOTE 2
	FS6-8538-000		1	LABEL, MANUAL FEED PAPER SIZE	A/INCH SIZE SEE NOTE 2
	FS6-8539-000		1	LABEL, MANUAL FEED PAPER SIZE	A AIZE SEE NOTE 2
501	XB6-2400-408		2	SETSCREW,M4X4	
502	XB6-7300-609		3	SCREW,TP,M3X6	
503	XD2-1100-242		2	RING,E	
504	XD2-1100-502		3	RING,E	
505	XB1-2400-609		1	SCREW,MACH.,TRUSS HEAD,M4X6	
506	XB4-7400-609		1	SCREW,TAPPING,TRUSS HEAD,M4X6	

# FIGURE 313

## CASSETTE PAPER PICK-UP ASSEMBLY (1/2)



NOTE : This assembly does not include the parts shown with key No. 67 and 516.

# FIGURE 313

## CASSETTE PAPER PICK-UP ASSEMBLY (2/2)

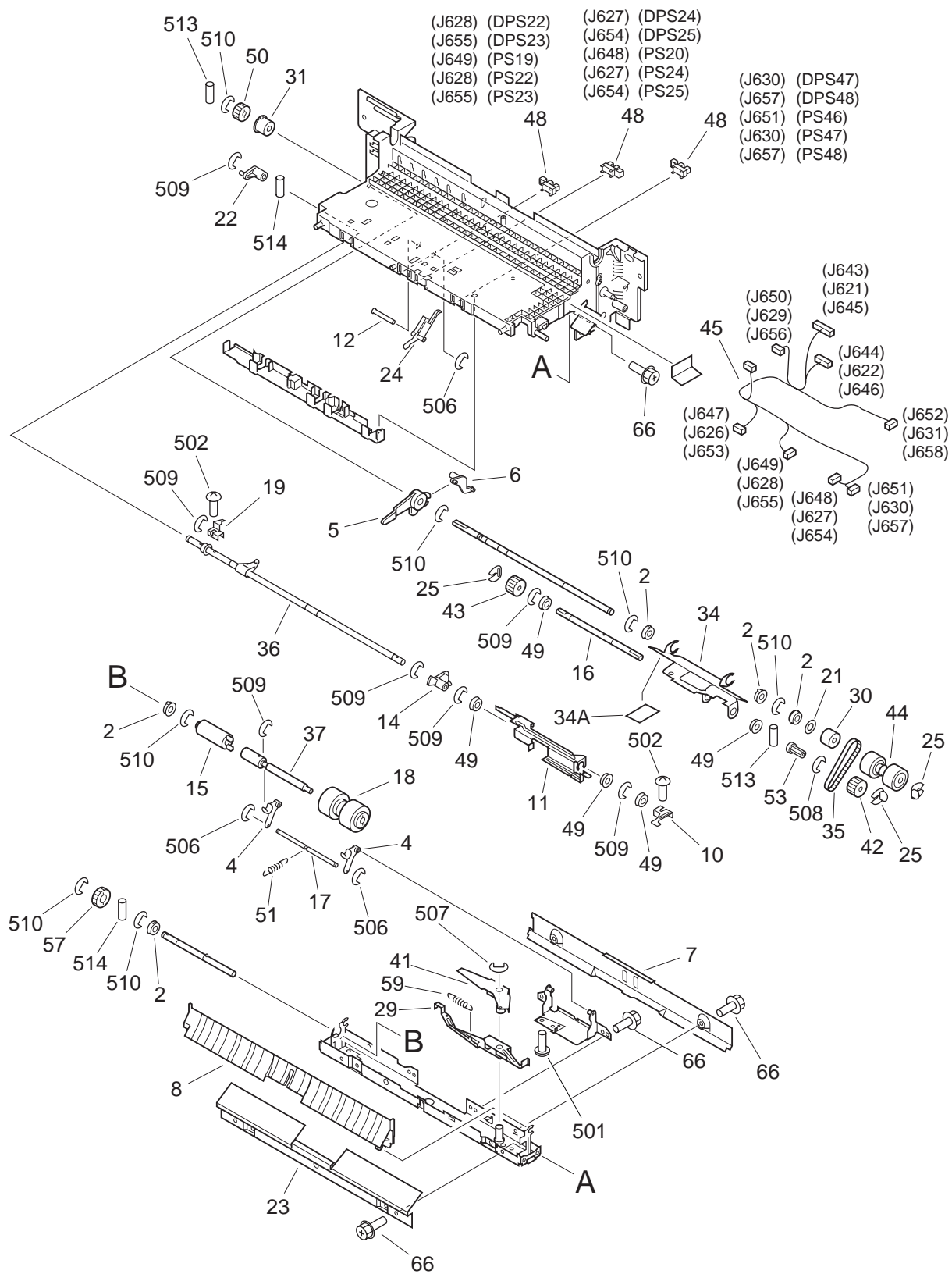


FIGURE & KEY NO.	PART NUMBER	R A N K	Q T Y	DESCRIPTION	SERIAL NUMBER / REMARKS
313 -	FG6-0873-000		2	CASSETTE PAPER PICK-UP ASS'Y	CLC1120/1150
	FG6-0873-000		3	CASSETTE PAPER PICK-UP ASS'Y	CLC1130
	1 FA6-6457-000		1	SCREW, M3X5	
2	FA9-2112-000		8	BUSHING	
3	FB2-7593-000		1	CAM	
4	FB2-7602-000		2	ARM, ROLLER	
5	FB2-7605-000		1	LINK, UP, 1	
6	FB2-7606-000		1	LINK, UP, 2	
7	FB2-7616-000		1	GUIDE, FEED	
8	FB2-7617-000		1	GUIDE, OPEN/CLOSE	
9	FB2-7620-000		1	SHAFT, LIFT, UPPER	
10	FB2-7624-000		1	PLATE, PICK-UP, FRONT	
11	FB2-7631-000		1	PLATE, RELEASE	
12	FB2-7633-000		2	SHAFT, SENSOR	
13	FB2-7635-000		1	PLATE, GUIDE, UPPER	
14	FB2-7642-000		1	ARM, PAPER	
15	FB2-7699-000		1	TORQUE LIMITER	
16	FB2-7702-000		1	SHAFT, PICK-UP	
17	FB2-7713-000		1	SHAFT, COUNTER	
18	FB2-7777-020		1	ROLLER, SEPARATION	
19	FB2-8266-000		1	PLATE, PICK-UP, REAR	
20	FB2-8436-000		1	BUSHING, MOTOR	
21	FB2-8512-000		1	SPACER	
22	FB3-8333-000		1	CAM, PICK-UP RELEASE	
23	FB3-9367-000		1	GUIDE, PICK-UP INLET, RIGHT	
24	FB4-1202-000		1	FLAG, PAPER	
25	FB4-2007-000		3	RING, RETAINING	
26	FB4-3700-000		1	LEVER, LIFTER RELEASE	
27	FB4-4593-000		1	ROLLER, VERTICAL PATH FEED	
28	FB4-4595-000		1	LEVER, SENSOR	

FIGURE & KEY NO.	PART NUMBER	RANK	QTY	DESCRIPTION	SERIAL NUMBER / REMARKS
313 - 29	FB4-6214-000		1	LEVER, SEPARATION RELEASE, 2	
30	FB4-9029-000		1	CLUTCH, ONE-WAY, 1	
31	FB4-9043-000		1	CLUTCH, ONE-WAY, 2	
32	FF3-1088-000		1	CABLE, GROUNDING	
33	FF5-3063-030		1	PLATE, LIFT	
34	FF5-3209-000		1	PLATE, PICK-UP	
34A	FB2-8410-000		1	SHEET, PICK-UP	
35	XF9-0525-000		1	BELT, TIMING, 59T	
36	FF5-3220-000		1	SHAFT, PAPER PICK-UP	
37	FF5-3222-000		1	SHAFT, SEPARATION	
38	FF5-5894-000		1	PLATE, SUPPORT, LOWER	
39	FF5-5895-000		1	MOUNT, PICK-UP SOLENOID	
40	FB2-7627-000		1	PLATE, GROUNDING	
41	FF5-6904-000		1	LEVER, SEPARATION RELEASE, 1	
42	FF5-7829-000		1	ROLLER, PAPER PICK-UP, 1	
43	FF5-7830-000		1	ROLLER, PAPER PICK-UP, 2	
44	FF5-7837-000		1	ROLLER, PAPER FEED	
45	FG5-8859-000		1	CABLE, PAPER PICK-UP, LOWER	J643,644,621,622 J626-631,645-658
45A	VS1-5057-002		3	CONNECTOR, SNAP TIGHT	J626,629,647,650,653 J656
45B	VS1-5057-008		1	CONNECTOR, SNAP TIGHT	J622,644,646
45C	VS1-5057-010		1	CONNECTOR, SNAP TIGHT	J621,643,645
46	FH7-5818-000		1	SOLENOID	CLC1120/1130 SL7,8 J647,626 CLC1130 SL9 J653 CLC1150 DSL8,9 J626,653
47	FH7-5839-000		1	CLUTCH, ELECTROMAGNETIC	CLC1120/1130 CL11,12 J650,629
48	FH7-7394-000		4	PHOTO-INTERRUPTER	CLC1130 CL13 J656 CLC1150 DCL12,13 J629,656 CLC1120/1130 PS21,26,19,22 PS20,24,46,47 J652,631,649,628 J648,627,651,630 CLC1130

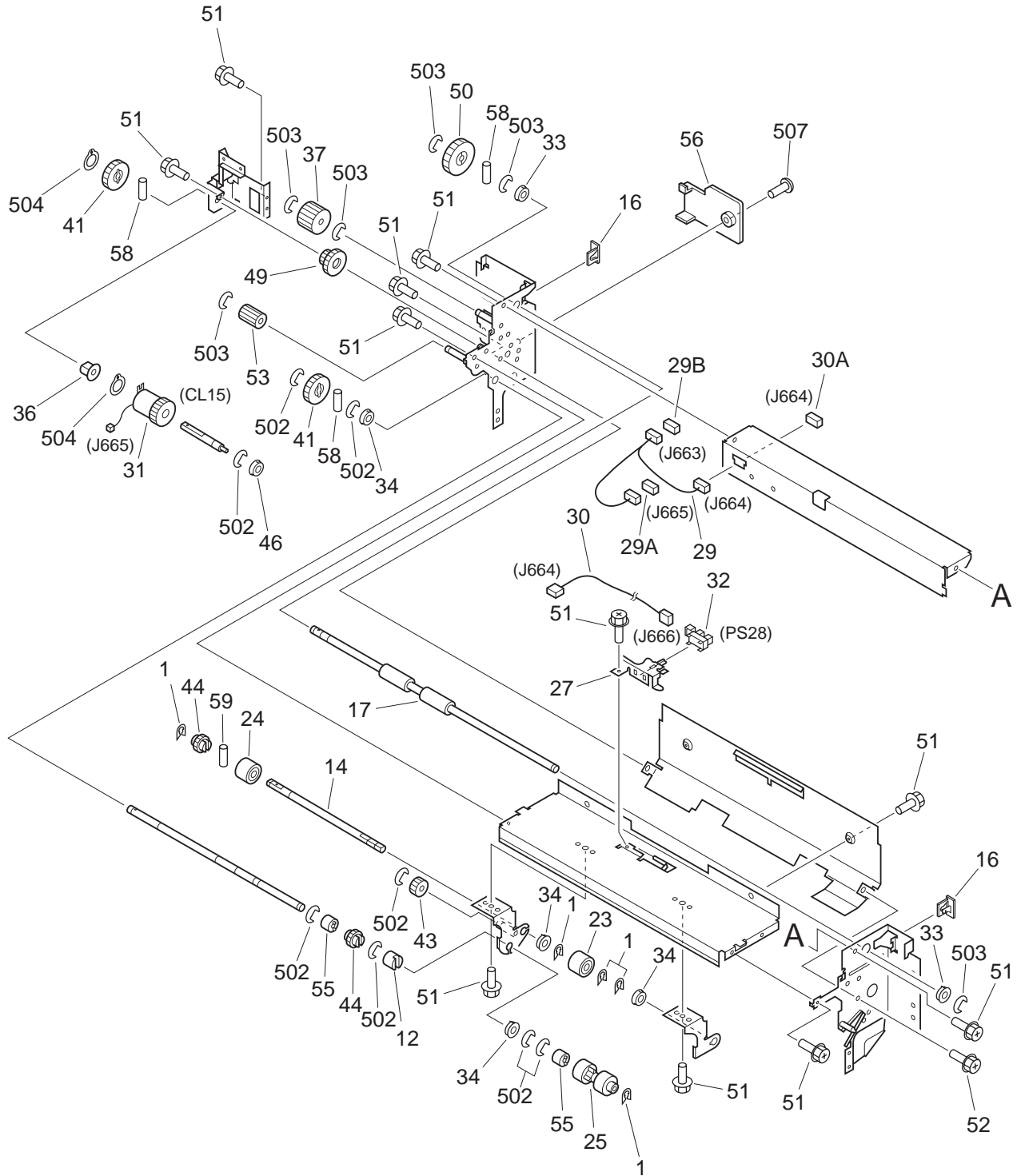


FIGURE & KEY NO.	PART NUMBER	RANK	QTY	DESCRIPTION	SERIAL NUMBER / REMARKS
313 - 48	FH7-7394-000		4	PHOTO-INTERRUPTER	PS27,23,25,48 J658,655,654,657 CLC1150 PS26,27,DPS22-25 DPS47,48 J631,658,628,655,627 J654,630,657
49	FS1-1512-000		5	BUSHING	
50	FS5-0338-000		1	GEAR, 16T	
51	FS5-2912-000		1	SPRING, TENSION	
52	FS5-2913-000		1	SPRING, TORSION	
53	FS5-3333-000		1	PULLEY, 16T	
54	FS6-0048-000		1	GEAR, 16T/46T	
55	FS6-0049-000		1	GEAR, 48T	
56	FS6-0051-000		1	GEAR, 17T/20T	
57	FS6-0053-000		1	GEAR, 20T	
58	FS6-0056-000		2	GEAR, 32T	
59	FS6-2668-000		1	SPRING, TENSION	
60	FS6-2669-000		1	SPRING, TORSION	
61	FS6-2670-000		1	SPRING, TENSION	
62	FS6-2742-000		1	SPRING, TENSION	
63	FS7-0052-000		1	GEAR, 17T/58T	
64	XA9-0265-000		1	SCREW, W/WASHER, TRUSS HEAD	
65	XA9-0633-000		1	SCREW,W/WASHER,M4X8	
66	XA9-0628-000		9	SCREW,RS,M4X8	
67	FB4-3998-000		2	COVER, PAPER PICK-UP CABLE	CLC1120/1150 SEE NOTE
	FB4-3998-000		3	COVER, PAPER PICK-UP CABLE	CLC1130 SEE NOTE
501	XB1-2300-409		2	SCREW,MACH.,TRUSS HEAD,M3X4	
502	XB1-2300-609		2	SCREW,MACH.,TRUSS HEAD,M3X6	
503	XB1-2400-609		3	SCREW,MACH.,TRUSS HEAD,M4X6	
504	XB4-7400-809		6	SCREW,TAPPING,TRUSS HEAD,M4X8	
505	XD1-1104-132		1	SHIM	
506	XD2-1100-242		4	RING,E	

FIGURE & KEY NO.	PART NUMBER	RANK	QTY	DESCRIPTION	SERIAL NUMBER / REMARKS
313 - 507	XD2-1100-322		1	RING,E	
508	XD2-1100-372		1	RING,E	
509	XD2-1100-502		8	RING,E	
510	XD2-1100-642		10	RING,E	
511	XD2-2100-802		1	RING,GRIP	
512	XD3-0300-082		1	PIN, SPRING	
513	XD3-2200-102		2	PIN,DOWEL	
514	XD3-2200-122		2	PIN,DOWEL	
515	XD3-2200-162		1	PIN,DOWEL	
516	XB1-2400-609		2	SCREW,MACH.,TRUSS HEAD,M4X6	CLC1120/1150 SEE NOTE
	XB1-2400-609		3	SCREW,MACH.,TRUSS HEAD,M4X6	CLC1130 SEE NOTE

# FIGURE 315

## PAPER PICK-UP FEEDER ASSEMBLY(1/2) (CLC1150)



NOTE : This assembly does not include the parts shown with key No. 56 and 507.

# FIGURE 315

## PAPER PICK-UP FEEDER ASSEMBLY(2/2) (CLC1150)

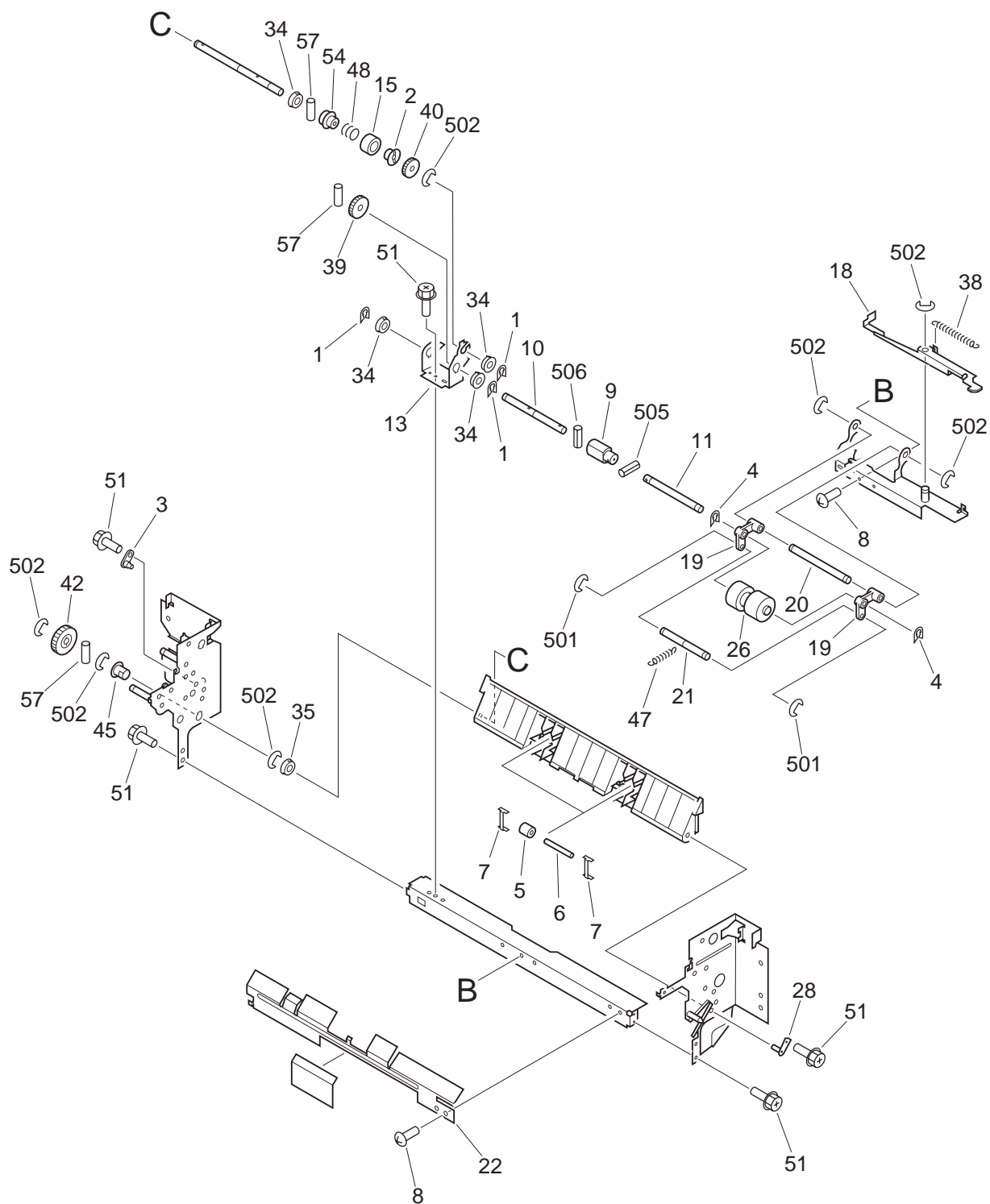


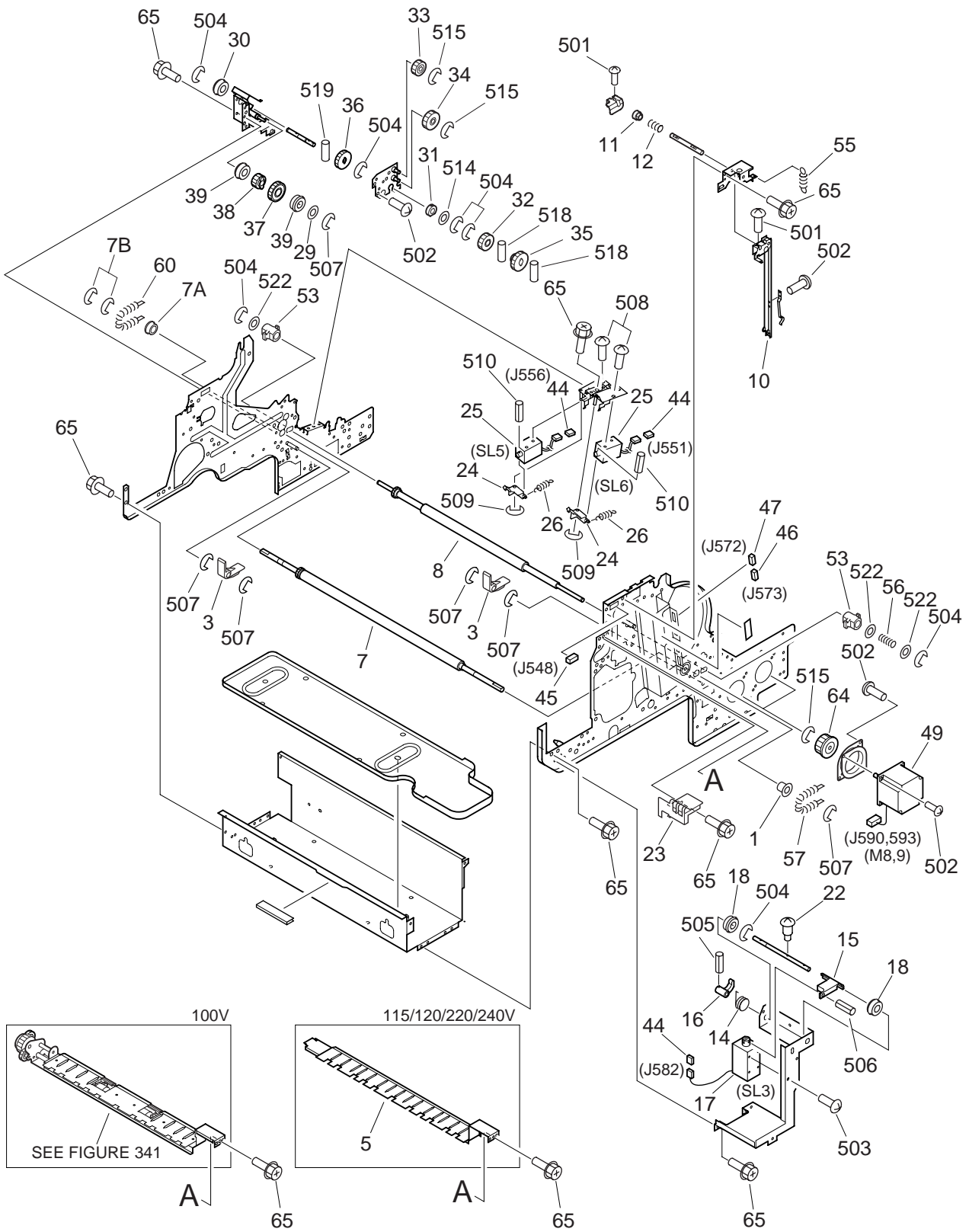
FIGURE & KEY NO.	PART NUMBER	R A N K	Q T Y	DESCRIPTION	SERIAL NUMBER / REMARKS
315 -	FG6-0817-000		1	PAPER PICK-UP FEEDER ASSEMBLY	CLC1150
1	FA3-8727-000		8	RING, RETAINING	
2	FA3-8729-000		1	DRUM, CLUTCH DRIVING	
3	FA4-1149-000		1	PIN, PLATE	
4	FA5-2864-020		2	RING, RETAINING	
5	FA5-4628-000		2	SPACER ROLLER	
6	FA5-4629-000		2	ROD, ROLLER	
7	FA5-4630-000		4	SPRING, LEAF	
8	FA9-2277-000		2	SCREW, M4X6	
9	FB1-7049-000		1	JOINT	
10	FB1-7051-000		1	SHAFT, SEPARATION ROLLER	
11	FB1-7059-000		1	SHAFT, SEPARATION ROLLER	
12	FB2-0825-000		1	BUSHING	
13	FB2-0851-000		1	MOUNT, SEPARATION GEAR	
14	FB2-0877-000		1	SHAFT, ROLLER	
15	FB3-1632-000		1	COUPLING	
16	FB4-4292-000		2	SUPPORT, GUIDE	
17	FB4-4593-000		1	ROLLER, VERTICAL PATH FEED	
18	FC1-4874-000		1	ARM, RELEASE	
19	FC1-4880-000		2	ARM, ROLLER	
20	FC1-4886-000		1	SHAFT, DRIVE	
21	FC1-4939-000		1	SHAFT, SEPARATION ROLLER	
22	FF2-7214-000		1	GUIDE, PLATE	
23	FF5-2101-000		1	ROLLER, PICK-UP, FRONT	
24	FF5-2102-000		1	ROLLER, PICK-UP, REAR	
25	FF5-2103-000		1	ROLLER, FEEDER	
26	FF5-2104-000		1	ROLLER, SEPARATION	
27	FF5-5708-000		1	LEVER, SENSING	
28	FF5-8354-000		1	PIN, GUIDE	
29	FG6-2465-000		1	CABLE, PAPER PICK-UP FEEDER	J663-665

FIGURE & KEY NO.	PART NUMBER	RANK	QTY	DESCRIPTION	SERIAL NUMBER / REMARKS
315 - 29A	VS1-5057-002		1	CONNECTOR, SNAP TIGHT	J665
29B	VS1-5057-005		1	CONNECTOR, SNAP TIGHT	J663
30	FG6-2466-000		1	CABLE, SENSOR CONNECTING	J664,666
30A	VS1-5057-003		1	CONNECTOR, SNAP TIGHT	J664
31	FH7-5824-000		1	CLUTCH, ELECTROMAGNETIC	CL15 J665
32	FH7-7394-000		1	PHOTO-INTERRUPTER	PS28 J666
33	FS1-1189-000		2	BUSHING	
34	FS1-1190-000		8	BUSHING	
35	FS1-1346-000		1	BUSHING	
36	FS1-1512-000		1	BUSHING	
37	FS4-0125-000		1	GEAR, 28T	
38	FS4-2124-000		1	SPRING, TENSION	
39	FS5-0393-000		1	GEAR, 30T	
40	FS5-0394-000		1	GEAR, 30T	
41	FS5-0395-000		2	GEAR, 25T	
42	FS5-0721-000		1	GEAR, 31T	
43	FS5-0742-000		1	GEAR, 20T	
44	FS5-0985-000		2	GEAR, 16T	
45	FS5-1220-000		1	BUSHING	
46	FS5-1376-000		1	BUSHING	
47	FS5-2557-000		1	SPRING, TENSION	
48	FS5-2595-000		1	SPRING, TORSION	
49	FS6-0052-000		1	GEAR, 16T/25T	
50	FS6-0056-000		1	GEAR, 32T	
51	XA9-0629-000		17	SCREW,RS,M4X8	
52	XA9-0722-000		1	SCREW,RS,M4X12	
53	FS6-0054-000		1	GEAR, 24T	
54	FA5-2865-000		1	DRUM, CLUTCH DRIVE	
55	FB1-7064-000		2	PULLEY, ONE-WAY	
56	FB4-3998-000		1	COVER, PAPER PICK-UP CABLE	SEE NOTE

FIGURE & KEY NO.	PART NUMBER	RANK	QTY	DESCRIPTION	SERIAL NUMBER / REMARKS
315 - 57	XD9-0103-000		3	PIN,DOWEL	
58	XD9-0108-000		3	PIN,DOWEL	
59	XD9-0111-000		1	PIN,DOWEL	
501	XD2-1100-242		2	RING,E	
502	XD2-1100-502		15	RING,E	
503	XD2-1100-642		6	RING,E	
504	XD2-2100-602		2	RING,GRIP	
505	XD3-1200-102		1	PIN,SPRING	
506	XD3-1200-122		1	PIN,SPRING	
507	XB1-2400-609		1	SCREW,MACH.,TRUSS HEAD,M4X6	SEE NOTE

# FIGURE 330

## TRANSFER FRAME ASSEMBLY (1/2)



NOTE : This assembly includes the assemblies shown in Figure 331, 332, 333, 341, and 780.





FIGURE & KEY NO.	PART NUMBER	RANK	QTY	DESCRIPTION	SERIAL NUMBER / REMARKS
330 -	FG6-0946-000		1	TRANSFER FRAME ASSEMBLY	100V SEE NOTE
	FG6-0950-000		1	TRANSFER FRAME ASSEMBLY	120/220/240V SEE NOTE
1	FA1-0056-000		1	BUSHING	
2	FB2-0679-000		1	LEVER, LOWER	
3	FB2-1069-000		2	ARM, PRESSURE, REGISTRATION	
4	FB2-8846-000		1	HANDLE	
5	FB4-4970-000		1	GUIDE, PAPER FEED	120/220/240V
6	FB4-4972-000		1	HOLDER, CORONA, REAR	
7	FG9-3771-000		1	ROLLER, REGISTRATION DRIVE	
7A	FS1-1402-000		1	BUSHING	
7B	XD2-1100-642		2	RING,E	
8	FF5-8283-000		1	ROLLER, REGISTRATION DRIVEN	
9	FF5-8377-000		1	PIN, POSITIONING, FRONT	
10	FF5-8842-000		1	LINK, LEVER	
11	FS5-1374-000		1	BUSHING	
12	FS5-2603-000		1	SPRING, COMPRESSION	
13	FB2-0609-000		1	LEVER, LOCK, LOWER	
14	FB2-0512-000		1	SPRING, TORSION	
15	FB2-0514-000		1	LEVER, DRIVE, SEPARATION CLAW	
16	FB2-0515-000		1	ARM, DRIVE, SEPARATION CLAW	
17	FH7-5851-000		1	SOLENOID	SL3 J582
18	FS1-1205-000		2	BUSHING	
19	FG6-0841-000		1	REGIST RELEASE CLUTCH ASSEMBLY	
20	WT2-5565-000		1	CLAMP, CABLE	
21	VS1-6327-024		1	CONNECTOR, 24P, FEMALE	J571
22	FS1-9008-000		1	SCREW, STEPPED, M3	
23	FF5-2367-020		1	PLATE, TRANSFER RATCHET	
24	FB4-4425-000		2	LEVER	
25	FH7-5581-000		2	SOLENOID	SL5,6 J556,551
26	FS6-2152-000		2	SPRING, TENSION	

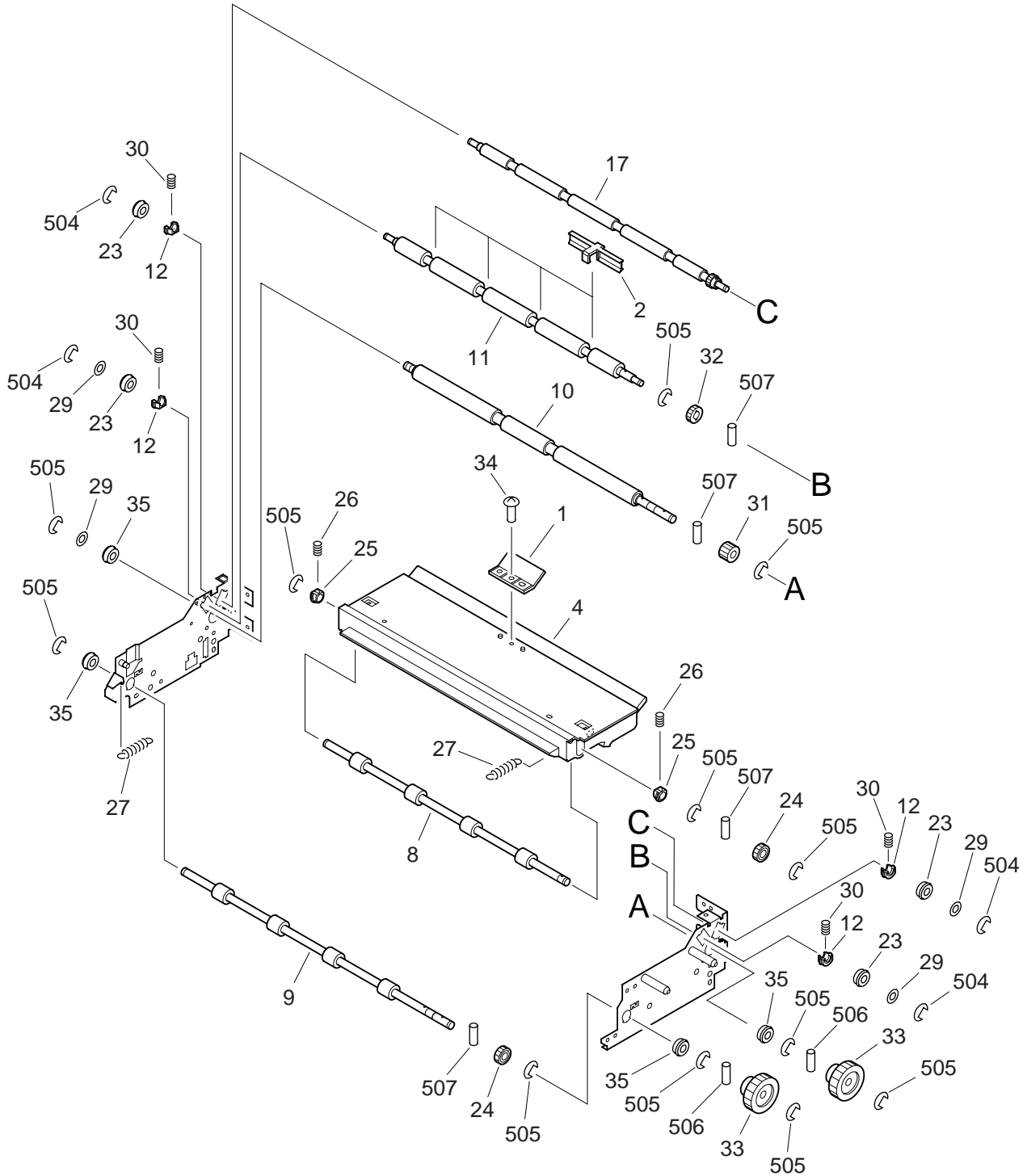
FIGURE & KEY NO.	PART NUMBER	R A N K	Q T Y	DESCRIPTION	SERIAL NUMBER / REMARKS
330 - 27	FB2-1068-020		2	CAM, REGISTRATION	
28	FS1-1462-000		2	BUSHING	
29	FB2-6285-000		1	SHIM	
30	FS1-1190-000		1	BUSHING	
31	FS1-1508-000		1	BUSHING	
32	FS5-0710-000		1	GEAR, 16T	
33	FS7-0154-000		1	GEAR, 14T	
34	FS7-0287-000		1	GEAR, 18T	
35	FS7-0292-000		1	GEAR, 18T	
36	FS7-0293-000		1	GEAR, 28T	
37	FS7-0295-000		1	GEAR, 30T	
38	FS7-0296-000		1	GEAR, 20T	
39	XG9-0366-000		2	BEARING, BALL	
40	FB2-0608-000		1	PIN, LOCK LEVER	
41	FB3-7684-000		1	PIN, RETAINING	
42	FS2-1249-000		3	BUSHING	
43	FS6-2840-000		1	SPRING, COMPRESSION	
44	VS1-5057-002		4	CONNECTOR, SNAP TIGHT	J551,555,556,582
45	VS1-5057-003		1	CONNECTOR, SNAP TIGHT	J548
46	VS1-6318-009		1	CONNECTOR, SNAP TIGHT	J573
47	VS1-6318-010		1	CONNECTOR, SNAP TIGHT	J572
48	FG6-2439-000		1	CABLE, TRA. FRAME LEVER SWITCH	SW3 J574,915
48A	VS1-5057-002		1	CONNECTOR, SNAP TIGHT	J574
49	FH6-1569-000		2	MOTOR, STEPPING, DC24V	M8,9 J590,593
50	FH7-5854-000		1	CLUTCH, ELECTROMAGNETIC	CL9 J555
51	VS1-6327-040		1	CONNECTOR, 40P, FEMALE	J544
52	XA9-1032-000		2	SCREW, MACH., TRUSS HEAD, M5X20	
53	FS1-1595-000		2	BUSHING	
54	FG6-2409-000		1	HORIZ. PATH DRIVER PCB ASS'Y	
55	FS5-2604-000		1	SPRING, TENSION	

FIGURE & KEY NO.	PART NUMBER	R A N K	Q T Y	DESCRIPTION	SERIAL NUMBER / REMARKS
330 - 56	FS5-2612-000		1	SPRING, COMPRESSION	
57	FS5-2630-000		1	SPRING, TENSION	
58	FS5-6362-000		1	BUSHING, THRUST STOP	
59	FS5-6363-000		1	WASHER	
60	FS6-2143-000		1	SPRING, TENSION	
61	FS6-2161-000		1	SPRING, COMPRESSION	
62	FS6-2881-000		1	SPRING, COMPRESSION	
63	FS6-2882-000		1	SPRING, TENSION	
64	FS7-0291-000		2	GEAR, 32T	
65	XA9-0629-000		56	SCREW,RS,M4X8	
501	XB1-2300-602		2	SCREW,MACH.,TRUSS HEAD,M3X6	
502	XB1-2400-609		11	SCREW,MACH.,TRUSS HEAD,M4X6	
503	XB1-2300-609		2	SCREW,MACH.,TRUSS HEAD,M3X6	
504	XD2-1100-502		8	RING,E	
505	XD3-1300-162		1	PIN,SPRING	
506	XD3-1300-322		1	PIN,SPRING	
507	XD2-1100-642		8	RING,E	
508	XB1-2300-409		4	SCREW,MACH.,TRUSS HEAD,M3X4	
509	XD2-1100-322		2	RING,E	
510	XD3-1300-082		2	PIN,SPRING	
511	XD1-1108-222		1	SHIM	
512	XD1-4200-402		2	WASHER,TOOTHED LOCK	
513	XB6-7400-609		1	SCREW,TP,M4X6	
514	XD1-1106-213		1	SHIM	
515	XD2-1100-402		4	RING,E	
516	XD1-1108-233		1	SHIM	
517	XD2-2100-802		1	RING,GRIP	
518	XD3-2200-102		2	PIN,DOWEL	
519	XD3-2200-122		1	PIN,DOWEL	
520	XD2-1100-802		3	RING,E	

FIGURE & KEY NO.	PART NUMBER	R A N K	Q T Y	DESCRIPTION	SERIAL NUMBER / REMARKS
330 - 521	XB1-2400-607		10	SCREW,MACH.,TRUSS HEAD,M4X6	
522	XD1-1106-223		3	SHIM	

# FIGURE 331

## PRE-REGISTRATION FEEDER ASSEMBLY(1/2)



NOTE : This assembly is included in the assembly shown in Figure 330.

# FIGURE 331

## PRE-REGISTRATION FEEDER ASSEMBLY(2/2)

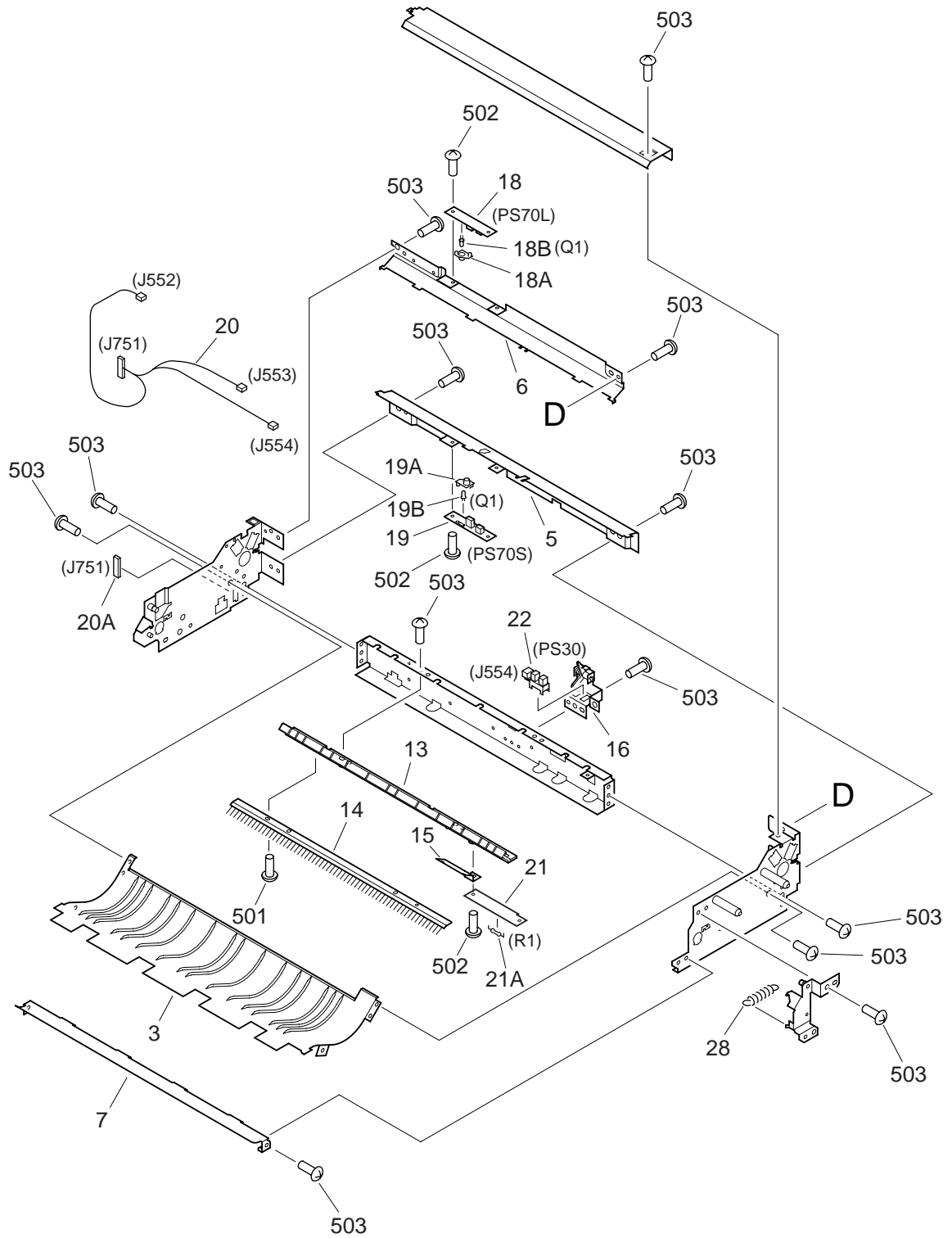


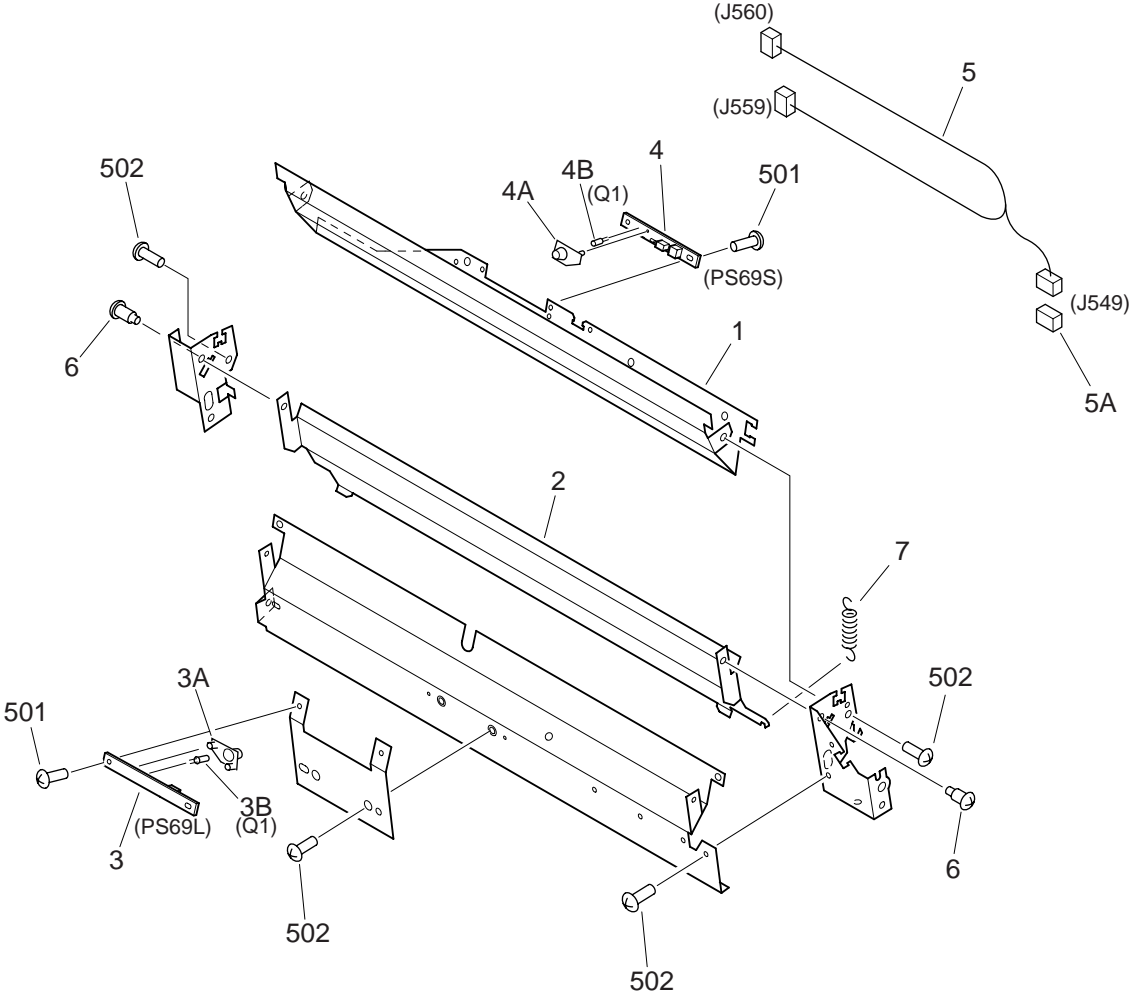
FIGURE & KEY NO.	PART NUMBER	RANK	QTY	DESCRIPTION	SERIAL NUMBER / REMARKS
331 -	FG6-0878-000		1	PRE-REGISTRATION FEEDER ASS'Y	SEE NOTE
1	FB2-1019-000		1	GRIP, GUIDE	
2	FB2-1429-000		4	GUIDE, MIDDLE	
3	FB4-4647-000		1	GUIDE, HORIZONTAL PATH, LOWER	
4	FB4-4648-000		1	GUIDE, HORIZONTAL PATH, UPPER	
5	FB4-4649-000		1	GUIDE, HORIZ.PATH INLET, LOWER	
6	FB4-4650-000		1	GUIDE, HORIZ.PATH INLET, UPPER	
7	FB4-4651-000		1	GUIDE, HORIZ.PATH OUTLET,LOWER	
8	FB4-4652-000		1	ROLLER, FRONT REGIST., UPPER	
9	FB4-4653-000		1	ROLLER, FRONT REGIST., LOWER	
10	FB4-4654-000		1	ROLLER, CURL, LOWER	
11	FB4-4656-000		1	ROLLER, CURL, LEFT UPPER	
12	FB4-4661-000		4	BUSHING	
13	FB4-5092-000		1	MOUNT, HORIZON. PATH GROUNDING	
14	FB4-5093-000		1	PLATE, HORIZON. PATH GROUNDING	
15	FB4-5105-000		1	PLATE, GROUNDING	
16	FF5-8295-000		1	MOUNT, HORIZ.PATH INLET SENSOR	
17	FF5-8296-000		1	ROLLER, CURL, RIGHT UPPER	
18	FG5-3178-000		1	OHP SENSOR ASSEMBLY 2	PS70L
18A	FA5-9710-000		1	CAP, SENSOR	
18B	WG1-5370-000		1	LED, TLN110	Q1
19	FG5-3179-000		1	OHP SENSOR ASSEMBLY 1	PS70S
19A	FA5-9710-000		1	CAP, SENSOR	
19B	WG3-0103-000		1	PHOTO-TRANSISTOR, TPS611	Q1
20	FG6-2459-000		1	CABLE, HORIZONTAL PATH	J552-554,751
20A	VS1-5057-008		1	CONNECTOR, SNAP TIGHT	J751
21	FG6-2510-000		1	HORIZ. PATH RESISTOR PCB ASS'Y	
21A	FH9-0367-000		1	RESISTOR, 100 OHM, 1W	R1
22	FH7-7394-000		1	PHOTO-INTERRUPTER	PS30 J554
23	XG9-0242-000		4	BEARING, BALL	



FIGURE & KEY NO.	PART NUMBER	R A N K	Q T Y	DESCRIPTION	SERIAL NUMBER / REMARKS
331 - 24	FS5-0338-000		2	GEAR, 16T	
25	FS5-1821-000		2	BUSHING	
26	FS5-2285-000		2	SPRING, COMPRESSION	
27	FS5-2572-000		2	SPRING, TENSION	
28	FS5-2573-000		1	SPRING, TENSION	
29	FS5-6488-000		4	WASHER	
30	FS6-2864-000		4	SPRING, COMPRESSION	
31	FS7-0129-000		1	GEAR, 20T	
32	FS7-0130-000		1	GEAR, 20T	
33	FS7-0153-000		2	GEAR, 39T	
34	XA9-0605-000		1	SCREW,M4X8	
35	XG9-0250-000		4	BEARING, BALL	
501	XB1-2300-409		2	SCREW,MACH.,TRUSS HEAD,M3X4	
502	XB1-2300-609		6	SCREW,MACH.,TRUSS HEAD,M3X6	
503	XB1-2400-609		19	SCREW,MACH.,TRUSS HEAD,M4X6	
504	XD2-1100-502		4	RING,E	
505	XD2-1100-642		12	RING,E	
506	XD3-2200-142		2	PIN,DOWEL	
507	XD3-2300-102		4	PIN,DOWEL	

# FIGURE 332

## PRE-REGISTRATION GUIDE ASSEMBLY

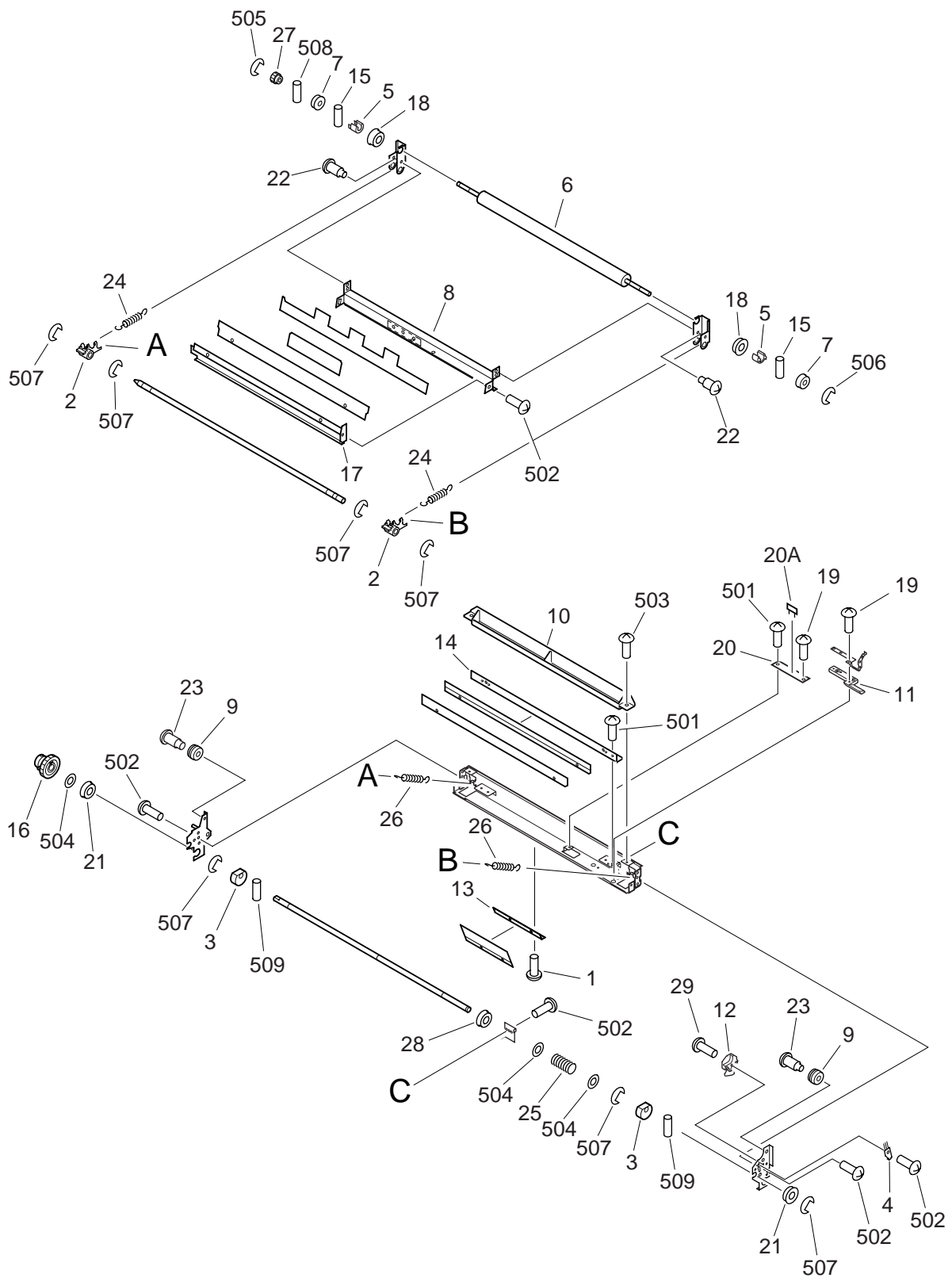


NOTE : This assembly is included in the assembly shown in Figure 330.

FIGURE & KEY NO.	PART NUMBER	RANK	QTY	DESCRIPTION	SERIAL NUMBER / REMARKS
332 -	FG6-0879-000		1	PRE-REGISTRAION GUIDE ASS'Y	SEE NOTE
1	FB4-4592-000		1	GUIDE, PRE-REGISTRATION, 1	
2	FB4-4598-000		1	GUIDE, PRE-REGISTRATION, 2	
3	FG5-3178-000		1	OHP SENSOR ASSEMBLY 2	PS69L
3A	FA5-9710-000		1	CAP, SENSOR	
3B	WG1-5370-000		1	LED, TLN110	Q1
4	FG5-3179-000		1	OHP SENSOR ASSEMBLY 1	PS69S
4A	FA5-9710-000		1	CAP, SENSOR	
4B	WG3-0103-000		1	PHOTO-TRANSISTOR, TPS611	Q1
5	FG6-2469-000		1	CABLE, REGISTRATION GUIDE	J549,559,560
5A	VS1-5057-005		1	CONNECTOR, SNAP TIGHT	J549
6	FS2-9461-000		2	SCREW, STEPPED, M3	
7	FS5-2571-000		1	SPRING, TENSION	
501	XB1-2300-609		4	SCREW, MACH., TRUSS HEAD, M3X6	
502	XB1-2400-609		4	SCREW, MACH., TRUSS HEAD, M4X6	

# FIGURE 333

## RETENSION ROLLER ASSEMBLY



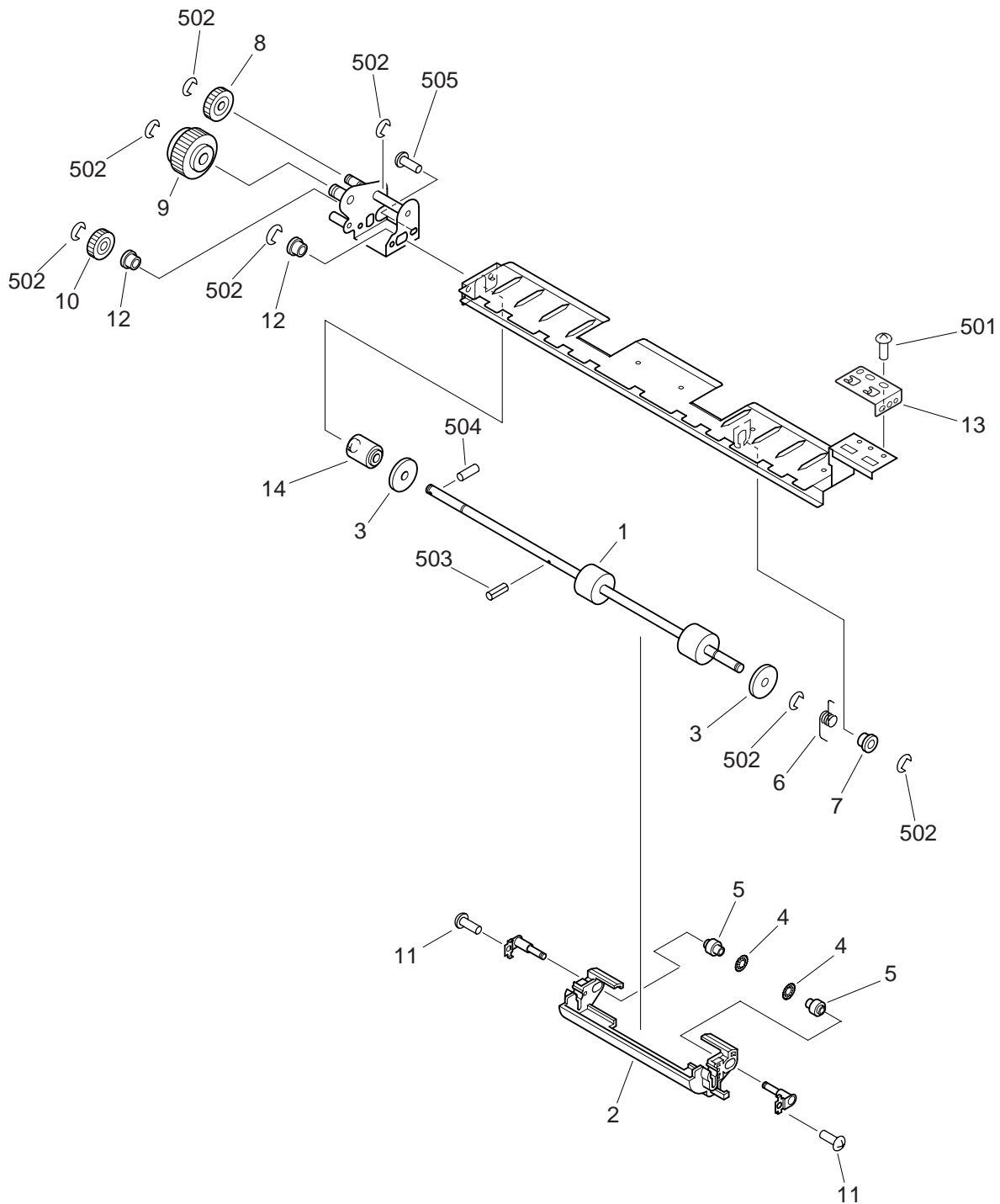
NOTE : This assembly is included in the assembly shown in Figure 330.

FIGURE & KEY NO.	PART NUMBER	RANK	QTY	DESCRIPTION	SERIAL NUMBER / REMARKS
333 -	FG6-0805-000		1	RETENSION ROLLER ASSEMBLY	SEE NOTE
1	FA2-9388-000		2	SCREW,MACH.,TRUSS HEAD,M3X5	
2	FB2-0998-000		2	ARM, SWING, ADSORPTION	
3	FB2-0999-000		2	CAM, ADSORPTION	
4	FB2-4375-000		1	BRUSH, GROUNDING	
5	FB3-2055-000		2	BLOCK, BEARING	
6	FB4-4240-000		1	ROLLER, ADSORPTION	
7	FB4-4241-000		2	COLLAR, ADSORPTION	
8	FB4-4245-000		1	GUIDE, ADSORPTION, RIGHT	
9	FB4-4248-000		2	COLLAR	
10	FB4-4249-000		1	MOUNT, TONER RECEPTACLE	
11	FB4-5065-000		1	HOLDER, PCB	
12	FB4-5066-000		1	BLOCK, INSULATION	
13	FF5-2387-000		1	SHEET	
14	FF5-8427-000		1	PLATE, SCRAPER, 2	
15	XD9-0103-000		2	PIN,DOWEL	
16	FG6-0840-000		1	ADSORPTION CLUTCH ASSEMBLY	
17	FF5-8876-000		1	GUIDE, ATTRACTION	
18	XG9-0350-000		2	BALL BEARING, NSK MF106ZZ1MC3	
19	XA9-0614-000		3	SCREW,P,M3X8	
20	FG6-2414-000		1	ROLLER REGIST. BOARD PCB ASS'Y	
20A	RH6-3847-000		1	RESISTOR, 20MOHM	
21	FS1-1462-000		2	BUSHING	
22	FS1-9228-000		2	SCREW, STEPPED, M3	
23	FS2-9001-000		2	SCREW,STEPPED,M4	
24	FS5-2570-000		2	SPRING, TENSION	
25	FS6-2159-000		1	SPRING, COMPRESSION	
26	FS6-2868-000		2	SPRING, TENSION	
27	FS7-0288-000		1	GEAR, 14T	
28	HS1-1031-000		1	BUSHING	

FIGURE & KEY NO.	PART NUMBER	R A N K	Q T Y	DESCRIPTION	SERIAL NUMBER / REMARKS
333 - 29	XA9-0596-000		1	SCREW,P,M3X6	
501	XB1-2300-607		3	SCREW,MACH.,TRUSS HEAD,M3X6	
502	XB1-2400-609		9	SCREW,MACH.,TRUSS HEAD,M4X6	
503	XB5-6400-609		2	SCREW,CT,M4X6	
504	XD1-1108-223		3	SHIM	
505	XD2-1100-322		1	RING,E	
506	XD2-1100-502		1	RING,E	
507	XD2-1100-642		11	RING,E	
508	XD3-2160-062		1	PIN,DOWEL	
509	XD3-2200-162		2	PIN,DOWEL	

# FIGURE 341

## POSTCARD FEEDER ASSEMBLY (100V)



NOTE : This assembly is included in the assembly shown in Figure 330.

FIGURE & KEY NO.	PART NUMBER	R A N K	Q T Y	DESCRIPTION	SERIAL NUMBER / REMARKS
341 -	FG6-0864-000		1	POSTCARD FEEDER ASSEMBLY	100V SEE NOTE
1	FB4-5049-000		1	ROLLER, POSTCARD FEED	
2	FB4-5050-000		1	ARM, SWING	
3	FB4-5053-000		2	SPACER	
4	FB4-5055-000		2	ROWEL	
5	FB4-5056-000		2	ROLLER, ROWEL	
6	FB4-5058-000		1	SPRING, TORSION	
7	FS1-1512-000		1	BUSHING	
8	FS4-0158-000		1	GEAR, 20T	
9	FS5-0713-000		1	GEAR, 30T	
10	FS7-0176-000		1	GEAR, 18T	
11	XA9-0915-000		2	SCREW,P,M3X6	
12	FS1-1206-000		2	BUSHING	
13	FB4-5201-000		1	PLATE, MOUNT	
14	XG9-0398-000		1	TORQUE LIMITER	
501	XB1-2400-609		2	SCREW,MACH.,TRUSS HEAD,M4X6	
502	XD2-1100-502		7	RING,E	
503	XD3-1200-102		1	PIN,SPRING	
504	XD9-0104-000		1	PIN,DOWEL	
505	XB6-7400-609		1	SCREW,TP,M4X6	



# FIGURE 350

## DELIVERY ASSEMBLY (CLC1120/1130)

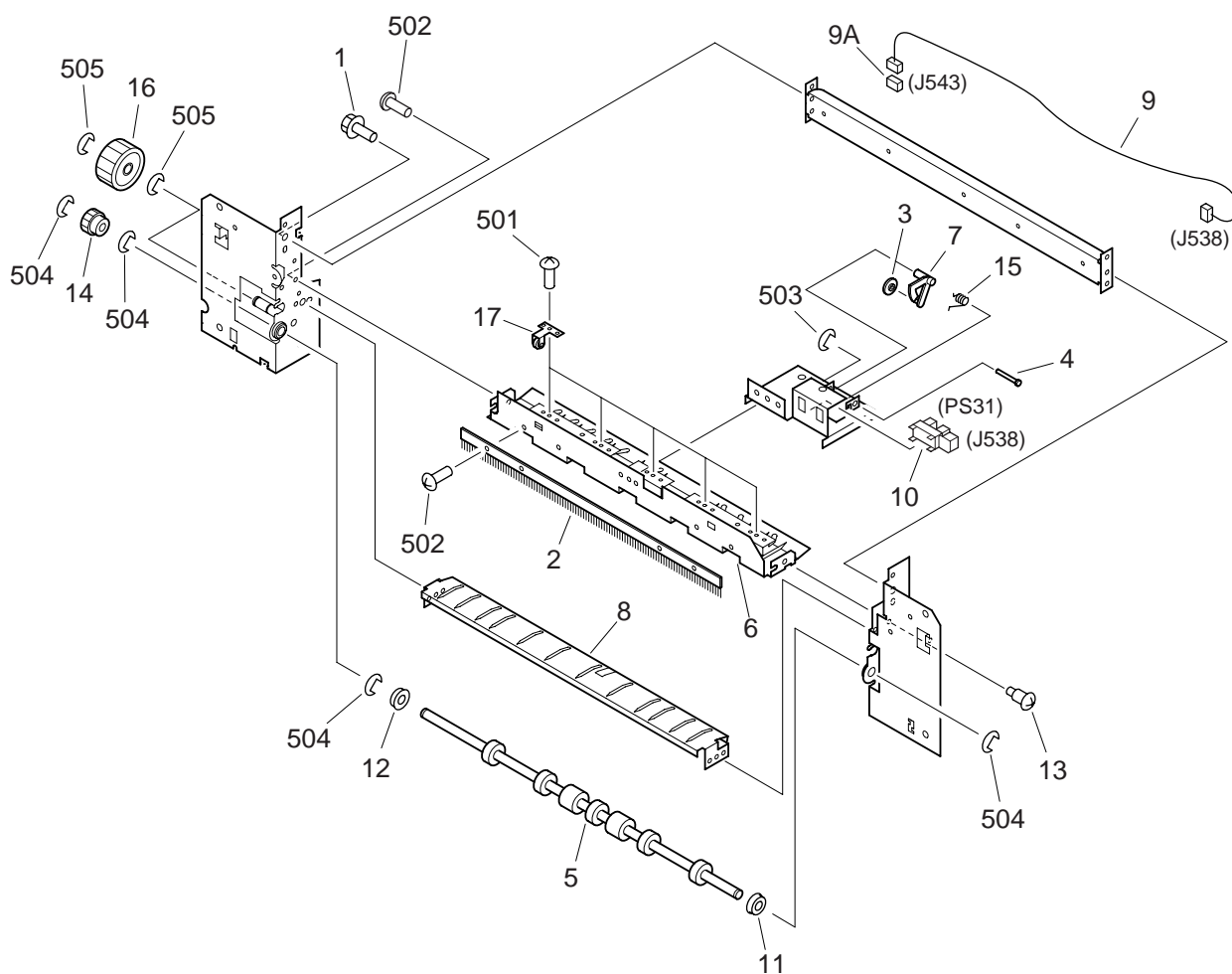


FIGURE & KEY NO.	PART NUMBER	R A N K	Q T Y	DESCRIPTION	SERIAL NUMBER / REMARKS
350 -	FG6-0967-000		1	DELIVERY ASSEMBLY	CLC1120/1130
1	XA9-0629-000		2	SCREW,RS,M4X8	
2	FA3-3129-030		1	ELIMINATOR, STATIC CHARGE	
3	FA4-8486-030		1	ROLLER	
4	FB2-9892-000		1	SHAFT, SENSOR	
5	FB4-4558-000		1	ROLLER, FIXING DELIVERY	
6	FB4-4561-000		1	GUIDE, DELIVERY	
7	FB4-4565-000		1	FLAG, SENSOR	
8	FB4-6631-000		1	GUIDE, DELIVERY	
9	FG6-2457-000		1	CABLE, DELIVERY	J538,543
9A	VS1-5057-003		1	CONNECTOR, SNAP TIGHT	J543
10	FH7-7394-000		1	PHOTO-INTERRUPTER	PS31 J538
11	FS1-1512-000		1	BUSHING	
12	FS1-1596-000		1	BUSHING	
13	FS1-9009-000		1	SCREW,STEPPED,M3	
14	FS5-0726-000		1	GEAR, 18T	
15	FS5-2635-000		1	SPRING, TORSION	
16	FS7-0167-000		1	GEAR, 36T	
17	RF5-0935-000		5	PLATE, ROLLER	
501	XB1-2300-609		5	SCREW,MACH.,TRUSS HEAD,M3X6	
502	XB1-2400-609		7	SCREW,MACH.,TRUSS HEAD,M4X6	
503	XD2-1100-242		1	RING,E	
504	XD2-1100-502		4	RING,E	
505	XD2-1100-642		2	RING,E	

# FIGURE 351

## DELIVERY UPPER COVER ASSEMBLY (CLC1150)

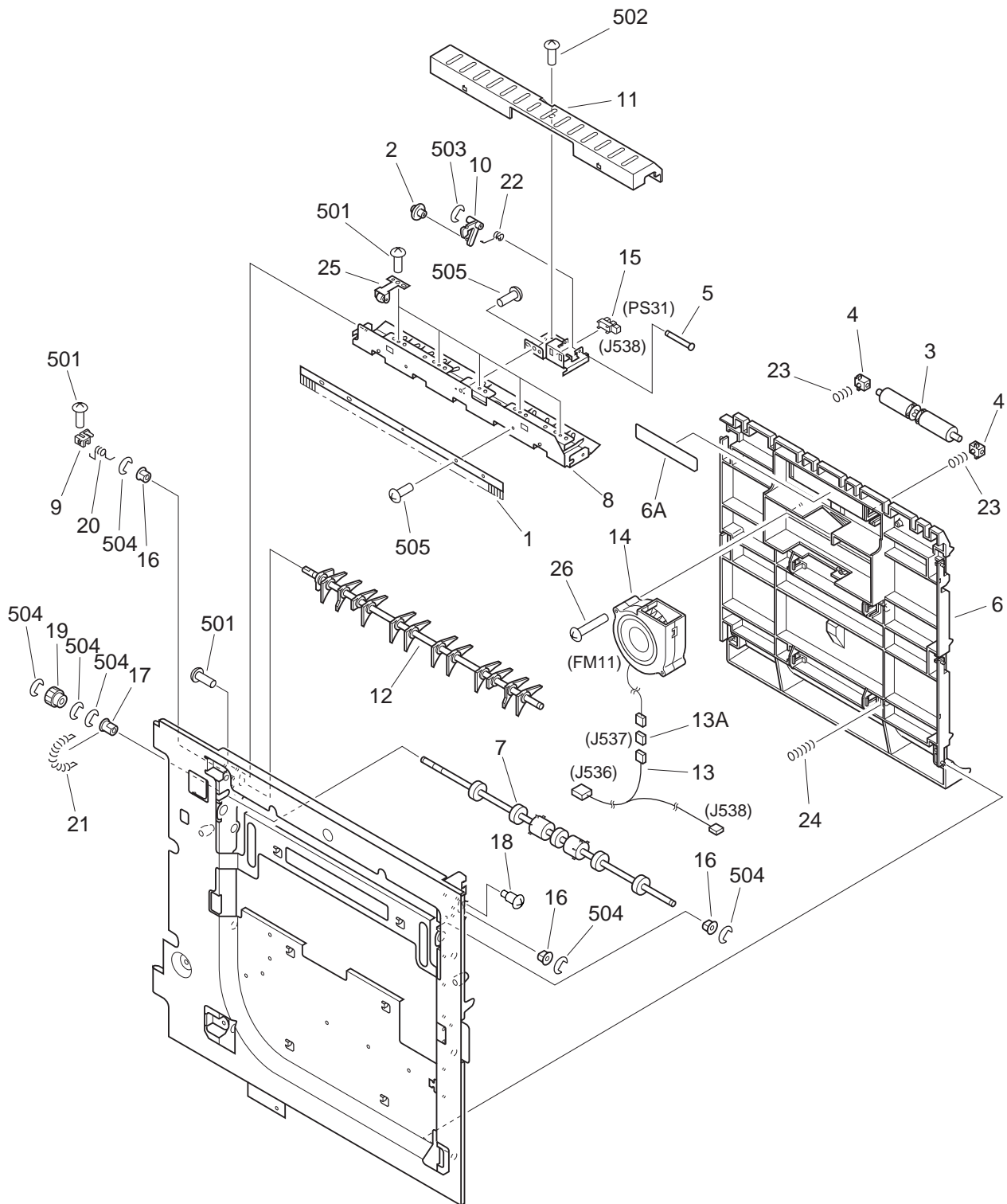


FIGURE & KEY NO.	PART NUMBER	RANK	QTY	DESCRIPTION	SERIAL NUMBER / REMARKS
351 -	NPN		RF	DELIVERY UPPER COVER ASSEMBLY	CLC1150
1	FA3-3129-030		1	ELIMINATOR, STATIC CHARGE	
2	FA4-8486-030		1	ROLLER	
3	FB2-7754-000		3	ROLLER	
4	FB2-7755-000		6	BUSHING	
5	FB2-9892-000		1	SHAFT, SENSOR	
6	FF5-9093-000		1	GUIDE, VERTICAL PATH	
6A	FB4-5216-000		1	SEAL, GUIDE	
7	FB4-4558-000		1	ROLLER, FIXING DELIVERY	
8	FB4-4561-000		1	GUIDE, DELIVERY	
9	FB4-4562-000		1	ARM, FLAPPER	
10	FB4-4565-000		1	FLAG, SENSOR	
11	FB4-4567-000		1	COVER, SENSOR	
12	FB4-4568-000		1	DEFLECTOR	
13	FG6-2456-000		1	CABLE, LEFT DOOR	J536-538
13A	VS1-5057-003		1	CONNECTOR, SNAP TIGHT	J537
14	FH6-1583-000		1	FAN	FM11 J537
15	FH7-7394-000		1	PHOTO-INTERRUPTER	PS31 J538
16	FS1-1512-000		3	BUSHING	
17	FS1-1596-000		1	BUSHING	
18	FS1-9009-000		1	SCREW, STEPPED, M3	
19	FS5-0726-000		1	GEAR, 18T	
20	FS5-2598-000		1	SPRING, TORSION	
21	FS5-2599-000		1	SPRING, TENSION	
22	FS5-2635-000		1	SPRING, TORSION	
23	FS5-2921-000		6	SPRING, COMPRESSION	
24	FS5-2922-000		6	SPRING, COMPRESSION	
25	RF5-0935-000		5	PLATE, ROLLER	
26	XA9-1033-000		2	SCREW, MACH., TRUSS HEAD, M4X35	
501	XB1-2300-609		6	SCREW, MACH., TRUSS HEAD, M3X6	

FIGURE & KEY NO.	PART NUMBER	R A N K	Q T Y	DESCRIPTION	SERIAL NUMBER / REMARKS
351 - 502	XB2-8400-806		1	SCREW,W/WASHER,M4X8	
503	XD2-1100-242		1	RING,E	
504	XD2-1100-502		6	RING,E	
505	XB1-2400-609		3	SCREW,MACH.,TRUSS HEAD,M4X6	

# FIGURE 352

## DUPLEXING DELIVERY ASSEMBLY (CLC1150)

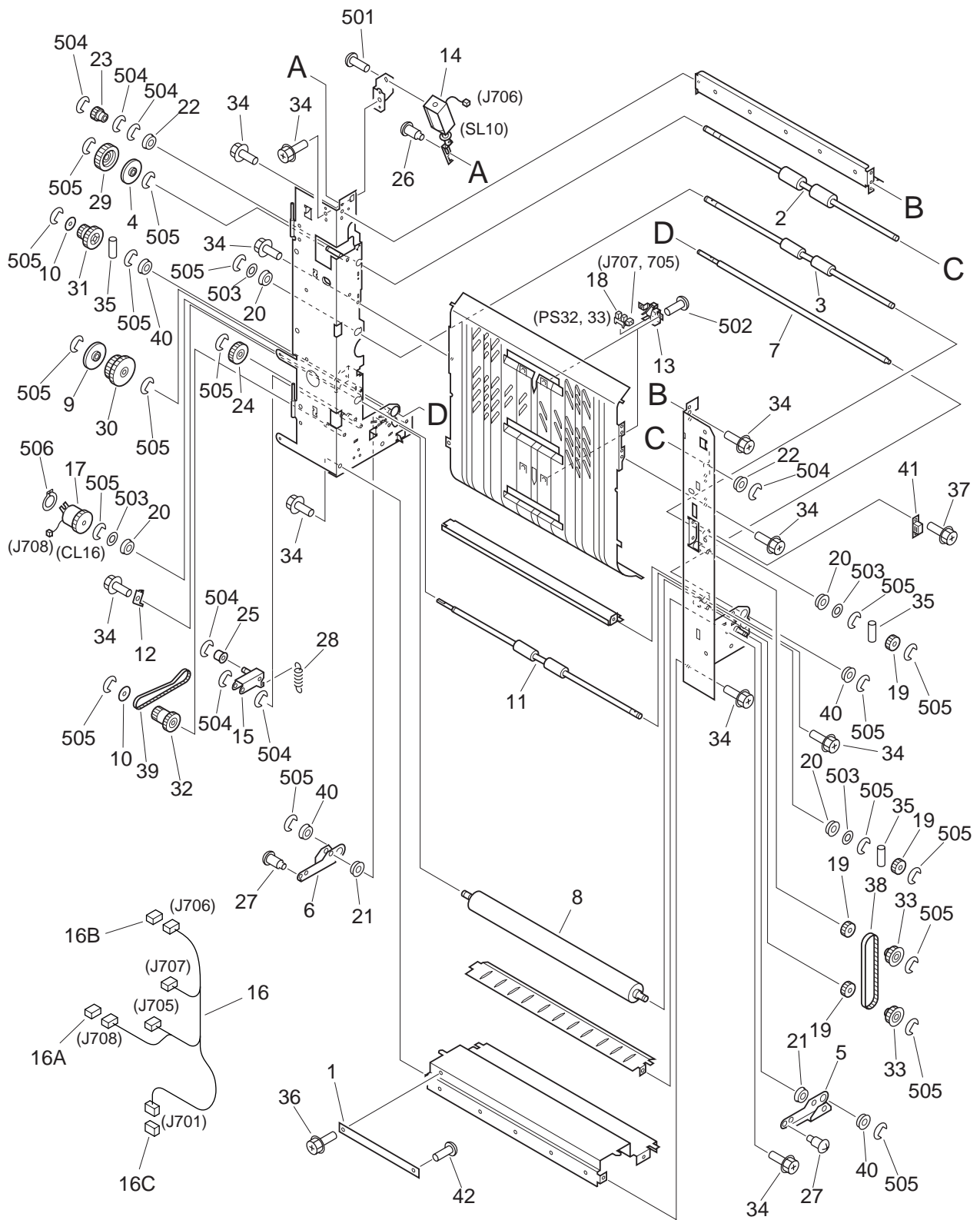
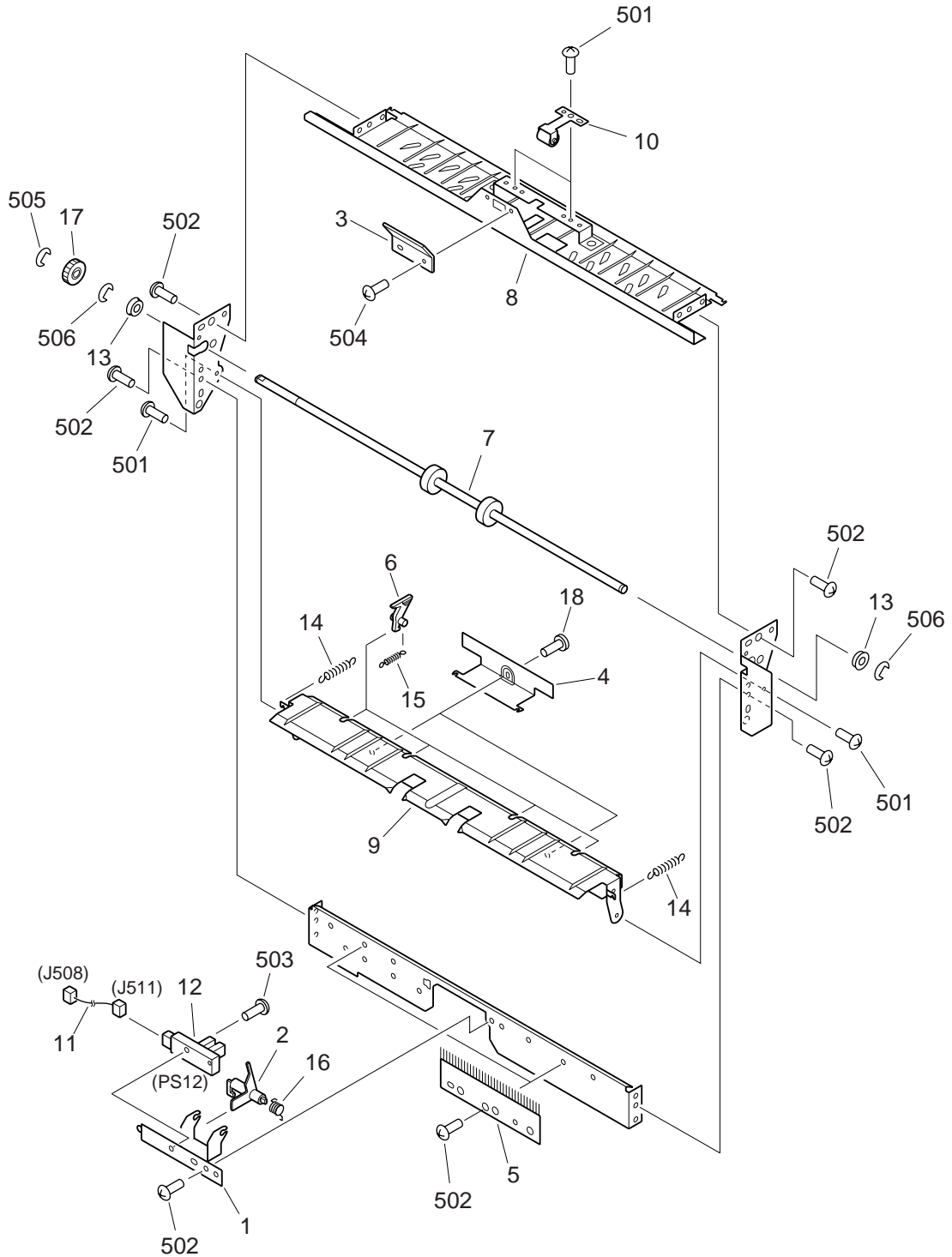


FIGURE & KEY NO.	PART NUMBER	RANK	QTY	DESCRIPTION	SERIAL NUMBER / REMARKS
352 -	FG6-0821-000		1	DUPLEXING DELIVERY ASSEMBLY	CLC1150 SEE NOTE
1	FB2-4385-000		1	TAPE, HOLD	
2	FB4-4304-000		1	ROLLER, VERTICAL PATH, 1	
3	FB4-4305-000		1	ROLLER, VERTICAL PATH, 2	
4	FB4-4309-000		1	ROLLER, SPACER	
5	FB4-4314-000		1	LEVER, CAM, FRONT	
6	FB4-4315-000		1	LEVER, CAM, REAR	
7	FB4-4320-000		1	ROLLER, PRESSURE	
8	FB4-4321-000		1	ROLLER, SPONGE	
9	FB4-4326-000		1	ROLLER, SPACER	
10	FB4-4329-000		2	FLANGE	
11	FB4-4330-000		1	ROLLER, VERTICAL PATH, 3	
12	FB4-4331-000		1	PLATE, STUD	
13	FF2-4832-000		2	MOUNT, SENSOR	
14	FF5-8357-000		1	SOLENOID	SL10 J706
15	FF5-8360-000		1	PLATE, TENSION	
16	FG6-2470-000		1	CABLE, VERTICAL PATH, DELIVERY	J701,705-708
16A	VS1-5057-002		1	CONNECTOR, SNAP TIGHT	J708
16B	VS1-5057-003		1	CONNECTOR, SNAP TIGHT	J706
16C	VS1-5057-010		1	CONNECTOR, SNAP TIGHT	J701
17	FH7-5518-000		1	CLUTCH, EM	CL16 J708
18	FH7-7394-000		2	PHOTO-INTERRUPTER	PS32,33 J707,705
19	FS1-0542-000		4	GEAR, 22T	
20	FS1-1189-000		4	BUSHING	
21	FS1-1422-000		2	BUSHING	
22	FS1-1512-000		2	BUSHING	
23	FS5-0731-000		1	GEAR, 20T	
24	FS5-0753-000		1	GEAR, 32T	
25	FS5-6250-000		1	ROLLER, TENSIONER	
26	FS5-9218-000		2	SCREW, STEPPED, M3	

FIGURE & KEY NO.	PART NUMBER	R A N K	Q T Y	DESCRIPTION	SERIAL NUMBER / REMARKS
352 - 27	FS5-9210-000		2	SCREW, STEPPED, M4	
28	FS6-2880-000		1	SPRING, TENSION	
29	FS7-0167-000		1	GEAR, 36T	
30	FS7-0168-000		1	GEAR, 46T/36T	
31	FS7-0169-000		1	GEAR, 30T/PULLEY, 22T	
32	FS7-0170-000		1	GEAR, 24T/PULLEY, 22T	
33	FS7-0173-000		2	PULLEY, 32T	
34	XA9-0629-000		13	SCREW, RS, M4X8	
35	XD9-0108-000		3	PIN, DOWEL	
36	XA9-0783-000		1	SCREW, RS, M4X12	
37	XA9-0724-000		2	SCREW, RS, M3X8	
38	XF9-0351-000		1	BELT, TIMING, 132T	
39	XF9-0703-000		1	BELT, TIMING	
40	XG9-0250-000		4	BEARING, BALL	
41	XZ9-0394-000		1	CATCH, MAGNET	
42	XA9-0594-000		1	SCREW, M4	
501	XB1-2300-409		2	SCREW, MACH., TRUSS HEAD, M3X4	
502	XB1-2400-609		4	SCREW, MACH., TRUSS HEAD, M4X6	
503	XD1-1108-223		4	SHIM	
504	XD2-1100-502		7	RING, E	
505	XD2-1100-642		19	RING, E	
506	XD2-2100-602		1	RING, GRIP	



# FIGURE 355 INTERNAL DELIVERY ASSEMBLY

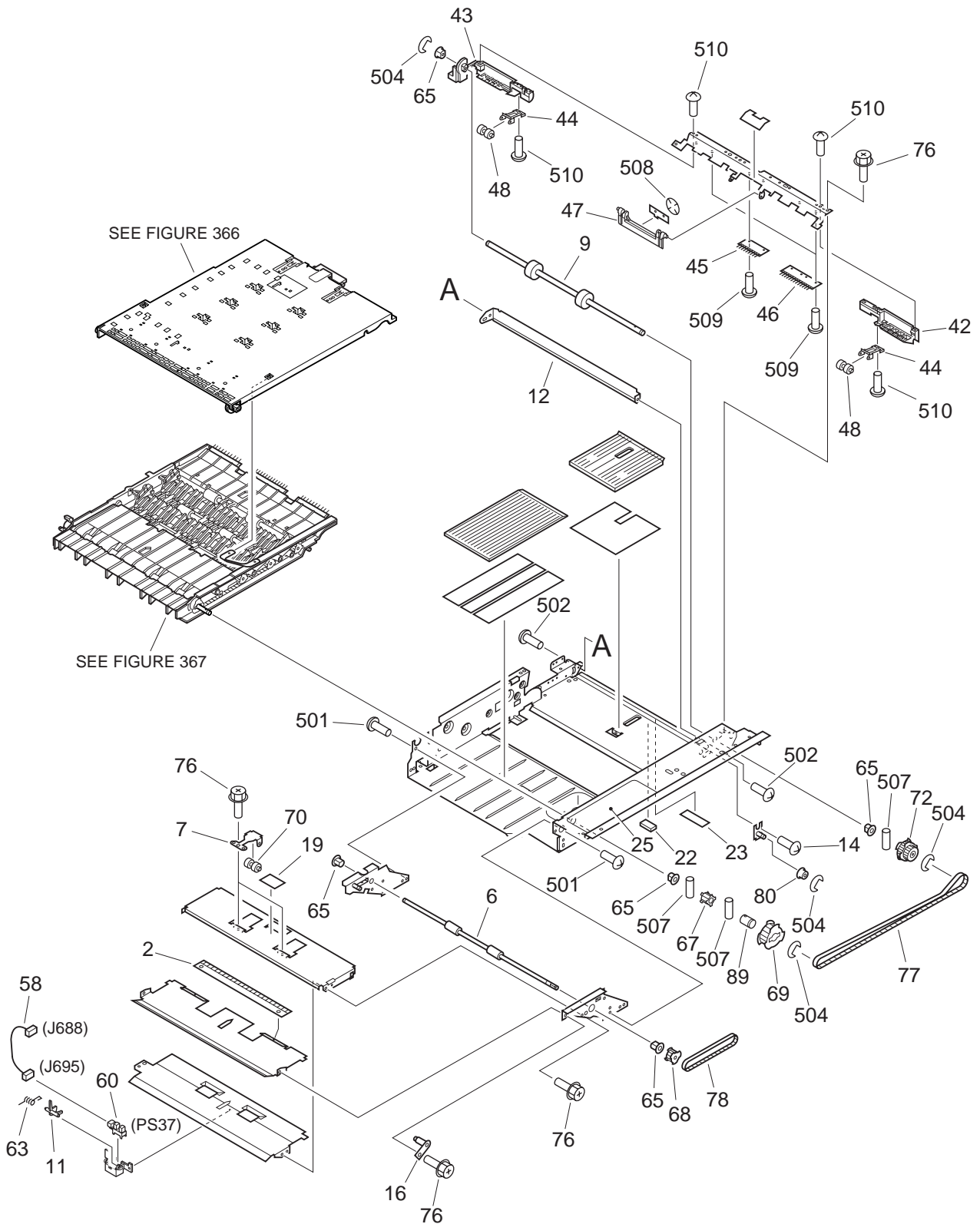


NOTE : This assembly is included in the assembly shown in Figure 810.

FIGURE & KEY NO.	PART NUMBER	R A N K	Q T Y	DESCRIPTION	SERIAL NUMBER / REMARKS
355 -	FG6-0857-000		1	INTERNAL DELIVERY ASSEMBLY	SEE NOTE
1	FB2-1134-000		1	MOUNT, SENSOR	
2	FB2-1137-000		1	LEVER, SENSOR	
3	FB2-1380-020		1	CATCH	
4	FB2-4455-020		2	PLATE, RETAINING CLAW	
5	FB2-8728-000		2	ELIMINATOR, STATIC CHARGE	
6	FB3-2051-000		4	CLAW, SEPARATION, LOWER	
7	FB4-4526-000		1	ROLLER, INTERNAL DELIVERY	
8	FB4-4527-000		1	GUIDE, DELIVERY, UPPER	
9	FB4-4528-000		1	GUIDE, DELIVERY, LOWER	
10	FF5-8270-000		2	ROLLER	
11	FG6-2452-000		1	CABLE, DELIVERY CONNECTING	J508,511
12	FH7-7306-000		1	PHOTO-INTERRUPTER, S7G37	PS12 J511
13	FS1-1512-000		2	BUSHING	
14	FS5-2617-000		2	SPRING, TENSION	
15	FS6-2146-000		4	SPRING, TENSION	
16	FS6-2147-000		1	SPRING, TORSION	
17	FS7-0159-000		1	GEAR, 16T	
18	XA9-0679-000		2	SCREW,MACH.,FLAT HEAD,M3X4	
501	XB1-2300-609		4	SCREW,MACH.,TRUSS HEAD,M3X6	
502	XB1-2400-609		7	SCREW,MACH.,TRUSS HEAD,M4X6	
503	XB1-2401-009		1	SCREW,MACH.,TRUSS HEAD,M4X10	
504	XB2-4300-605		2	SCREW,W/WASHER,M3X6	
505	XD2-1100-322		1	RING,E	
506	XD2-1100-502		2	RING,E	

# FIGURE 365

## HOLDING TRAY ASSEMBLY (1/2) (CLC1150)



NOTE : This assembly includes the assemblies shown in Figure 366, 367 and 368.

# FIGURE 365

## HOLDING TRAY ASSEMBLY (2/2) (CLC1150)

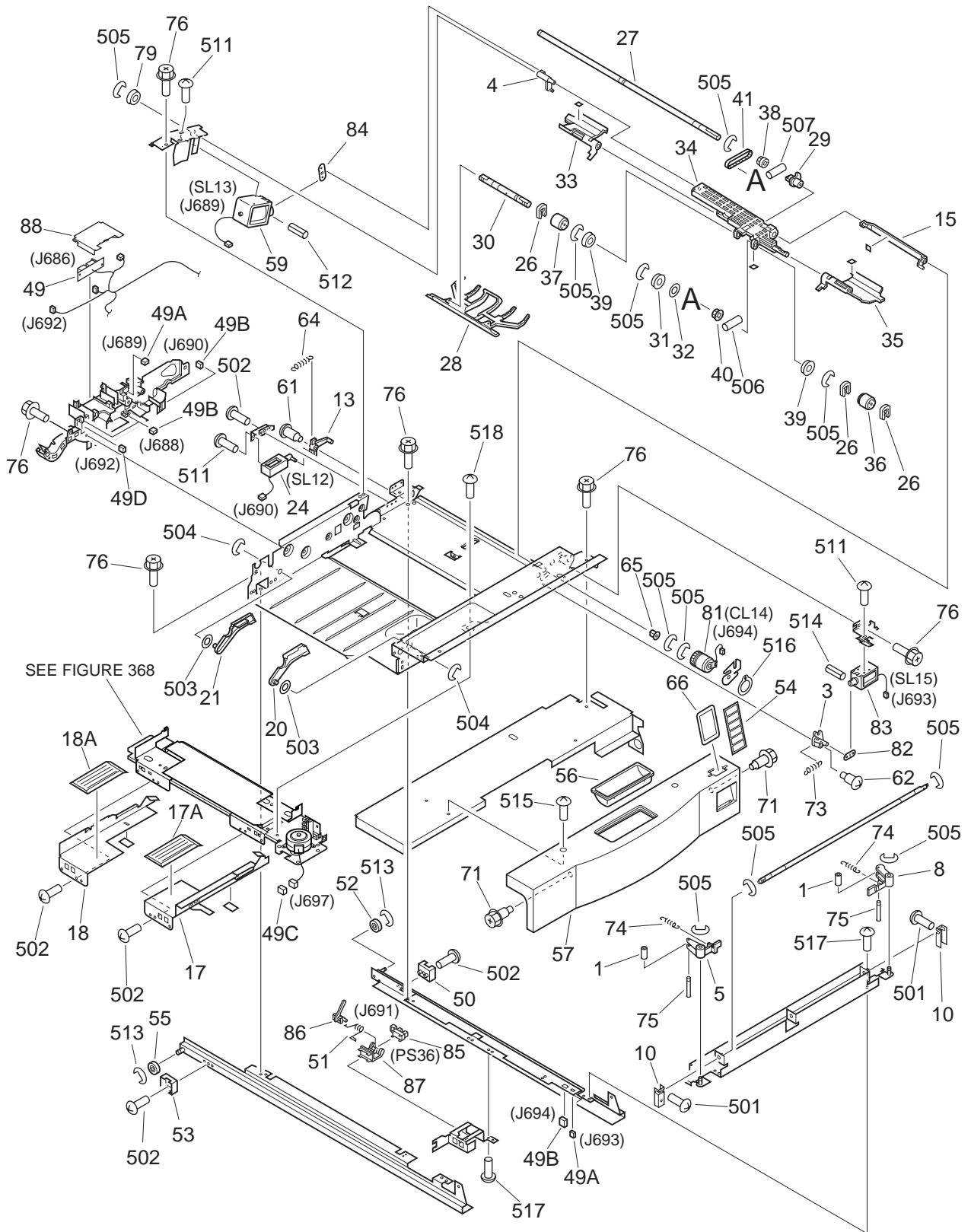


FIGURE & KEY NO.	PART NUMBER	R A N K	Q T Y	DESCRIPTION	SERIAL NUMBER / REMARKS
365 -	FG6-0808-000		1	HOLDING TRAY ASSEMBLY	CLC1150 SEE NOTE
1	FA9-1969-000		2	ROLLER, TRANSFER	
2	FB3-1806-000		1	STATIC CHARGE ELIMINATOR	
3	FB3-6490-000		1	LEVER, CAM	
4	FB3-6493-000		1	LEVER, SOLENOID	
5	FB4-0650-000		1	LEVER, CASSETTE, LEFT	
6	FB4-4262-000		1	ROLLER, FEED	
7	FB4-4270-000		2	HOLDER, ROLLER	
8	FB4-4283-000		1	LEVER, DUPLEXING DECK	
9	FB4-4340-000		1	ROLLER, REVERSING	
10	FB4-5064-000		2	LINK, CASSETTE	
11	FC1-4813-000		1	LEVER, SENSOR	
12	FC1-4914-000		1	SHUTTER	
13	FC1-4915-000		1	LEVER, SHUTTER	
14	FC2-2120-000		1	SCREW, M4X7	
15	FF5-5758-000		1	CAM	
16	FF5-8363-000		1	PIN, POSITIONING	
17	FF5-8856-000		1	PLATE, SIDE, FRONT	
17A	FF5-8869-000		1	GUIDE, TRAY	
18	FF5-8857-000		1	PLATE, SIDE, REAR	
18A	FF5-8869-000		1	GUIDE, TRAY	
19	FS6-8543-000		1	LABEL, JAM CLEARING	
20	FB3-6569-000		1	LEVER, BRAKE, FRONT	
21	FB3-6570-000		1	LEVER, BRAKE, REAR	
22	FC1-4903-000		1	SHEET, DAMPER	
23	FC1-4941-000		1	SHEET, SHUTTER	
24	FH7-5420-000		1	SOLENOID, DC24V	SL12 J690
25	FS6-8525-000		1	LABEL, JAM	
26	FA3-8727-000		3	RING, RETAINING	
27	FB3-6480-000		1	SHAFT, DRIVE	

FIGURE & KEY NO.	PART NUMBER	R A N K	Q T Y	DESCRIPTION	SERIAL NUMBER / REMARKS
365 - 28	FB3-6485-000		1	ARM	
29	FB3-6487-000		1	BUSHING	
30	FB3-6488-000		1	SHAFT, HR	
31	FB3-6497-000		1	COLLAR	
32	FB3-6498-000		1	FLANGE, PULLEY	
33	FF5-5759-000		1	WEIGHT, REAR	
34	FF5-5762-000		1	PLATE, ARM	
35	FF5-6018-000		1	WEIGHT, FRONT	
36	FF5-8366-000		1	ROLLER, D-FEED, FRONT	
37	FF5-8367-000		1	ROLLER, D-FEED, REAR	
38	FS2-3004-000		1	PULLEY, PICK-UP ROLLER	
39	FS5-1669-000		2	BUSHING	
40	FS5-3509-000		1	PULLEY, 22T	
41	XF9-0599-000		1	BELT, TIMING	
42	FB3-6471-000		1	BLOCK, REVERSE, FRONT	
43	FB3-6472-000		1	BLOCK, REVERSE, REAR	
44	FB3-6474-000		2	ARM, ROLLER	
45	FB3-6475-000		1	STATIC CHARGE ELIMINATOR	
46	FB3-6521-000		2	STATIC CHARGE ELIMINATOR	
47	FF5-8874-000		1	PLATE, BRAKE	
48	FS5-6491-000		2	ROLLER	
49	FG6-2472-000		1	CABLE, DUPLEXING FEEDER	
49A	VS1-5057-002		2	CONNECTOR, SNAP TIGHT	J689,693
49B	VS1-5057-003		3	CONNECTOR, SNAP TIGHT	J688,690,694
49C	VS1-5057-005		1	CONNECTOR, SNAP TIGHT	J697
49D	VS1-5057-006		1	CONNECTOR, SNAP TIGHT	J692
50	FC1-4920-000		1	BLOCK, RAIL SLIDING	
51	FC1-4929-000		1	SPRING, TORSION	
52	FS2-6459-000		1	ROLLER	
53	FC1-4920-000		1	BLOCK, RAIL SLIDING	

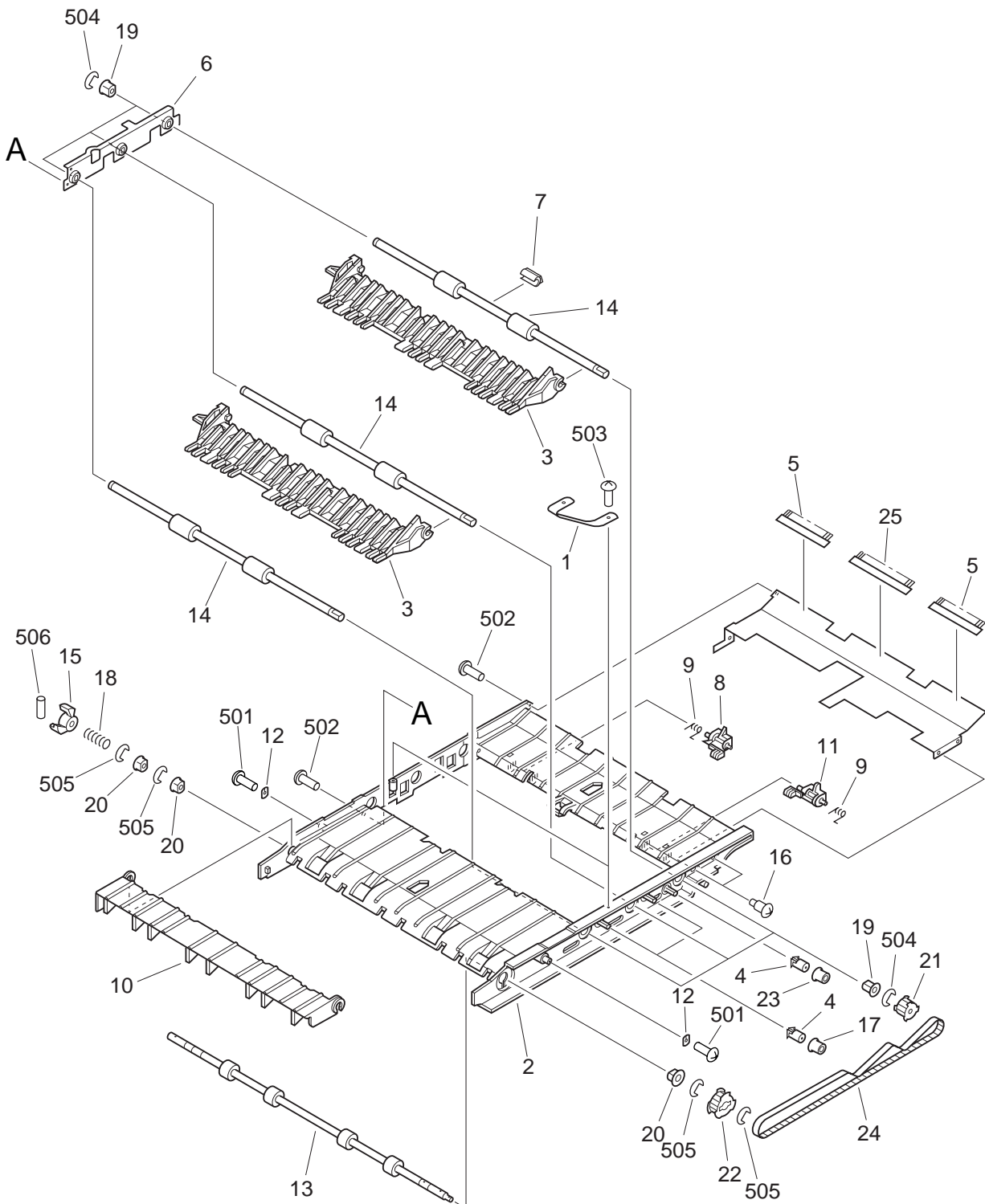
FIGURE & KEY NO.	PART NUMBER	R A N K	Q T Y	DESCRIPTION	SERIAL NUMBER / REMARKS
365 - 54	FS6-8540-000		1	LABEL, DUPLEXING UNIT	
55	FS2-6459-000		1	ROLLER	
56	FB4-3954-000		1	KNOB	
57	FB4-4982-000		1	COVER, DUPLEXING DECK	
58	FG6-2473-000		1	CABLE, SENSOR CONNECTING	J688,695
59	FH7-5683-000		1	SOLENOID, DC24V	SL13 J689
60	FH7-7326-000		1	PHOTO-INTERRUPTER	PS37 J695
61	FS1-9004-000		1	SCREW, STEPPED, M4	
62	FS1-9168-000		1	SCREW, STEPPED, M4X5	
63	FS4-2115-000		1	SPRING, TORSION	
64	FS4-2128-000		1	SPRING, TENSION	
65	FS5-1665-000		6	BUSHING	
66	FB1-8736-000		1	PLATE, SIZE	
67	FS5-3510-000		1	PULLEY, 27T	
68	FS5-3512-000		1	PULLEY, 32T	
69	FS5-3513-000		1	PULLEY, 40T	
70	FS5-6491-000		2	ROLLER	
71	FS5-9217-000		2	SCREW, STEPPED, M4	
72	FS6-0724-000		1	GEAR, 21T/PULLEY, 44T	
73	FS6-2506-000		1	SPRING, TENSION	
74	FS6-2667-000		2	SPRING, TENSION	
75	FS6-4243-000		2	SHAFT, ROLLER	
76	XA9-0628-000		28	SCREW, RS, M4X8	
77	XF9-0598-000		1	BELT, TIMING	
78	XF9-0704-000		1	BELT, TIMING	
79	XG9-0337-000		1	BEARING, BALL	
80	FS2-6458-000		1	ROLLER	
81	FH7-5684-000		1	CLUTCH, EM	CL14 J694
82	FB3-6491-000		1	LINK, LEVER	
83	FH7-5641-000		1	SOLENOID, DC24V	SL15 J693

FIGURE & KEY NO.	PART NUMBER	RANK	QTY	DESCRIPTION	SERIAL NUMBER / REMARKS
365 - 84	FB3-6495-000		1	LINK, ROLLER	
85	FH7-7312-000		1	PHOTO-INTERRUPTER	PS36 J691
86	FB3-6512-000		1	LEVER, PAPER	
87	FC1-4919-000		1	HOLDER, SENSOR	
88	FB4-5208-000		1	PLATE, GROUNDING	
89	FB4-5197-000		1	SHAFT, PULLEY	
501	XB1-2300-609		6	SCREW,MACH.,TRUSS HEAD,M3X6	
502	XB1-2400-609		6	SCREW,MACH.,TRUSS HEAD,M4X6	
503	XD1-1108-235		2	SHIM	
504	XD2-1100-642		6	RING,E	
505	XD2-1100-502		11	RING,E	
506	XD3-2200-102		1	PIN,DOWEL	
507	XD3-2200-122		4	PIN,DOWEL	
508	XD2-2300-242		2	RING, TOOTHED LOCK	
509	XB1-2300-409		10	SCREW,MACH.,TRUSS HEAD,M3X4	
510	XB4-7300-809		9	SCREW,TAPPING,TRUSS HEAD,M3X8	
511	XB6-7300-405		5	SCREW,TP,M3X4	
512	XD3-1300-142		1	PIN,SPRING	
513	XD2-1100-402		2	RING,E	
514	XD3-1300-102		1	PIN,SPRING	
515	XB1-2400-809		2	SCREW,MACH.,TRUSS HEAD,M4X8	
516	XD2-2100-602		1	RING,GRIP	
517	XB1-2400-606		4	SCREW,MACH.,TRUSS HEAD,M4X6	
518	XB6-7400-609		2	SCREW,TP,M4X6	



# FIGURE 366

## LOWER HORIZONTAL FEEDER ASSEMBLY (CLC1150)



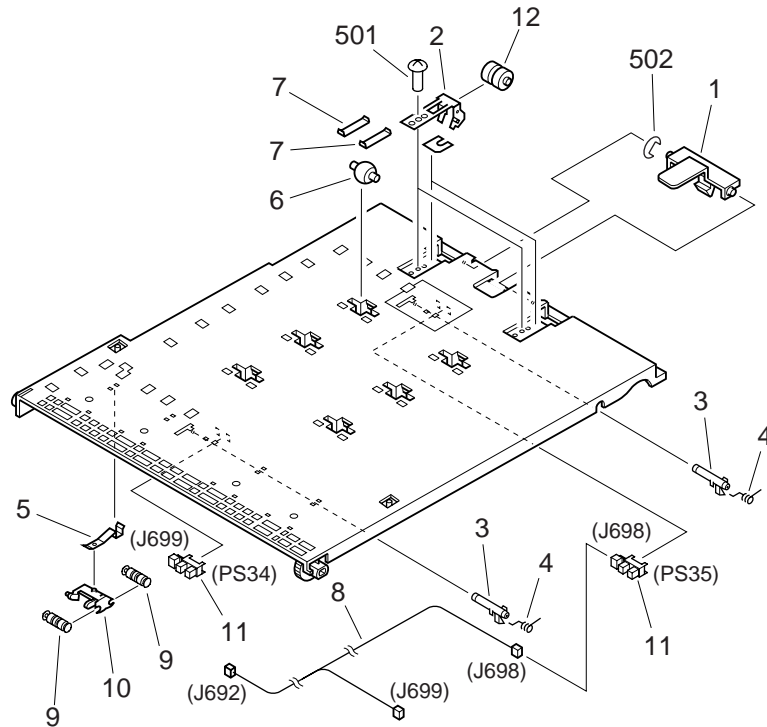
NOTE : This assembly is included in the assembly shown in Figure 365.

FIGURE & KEY NO.	PART NUMBER	RANK	QTY	DESCRIPTION	SERIAL NUMBER / REMARKS
366 -	FG6-0810-000		1	LOWER HORIZONTAL FEEDER ASS'Y	CLC1150 SEE NOTE
1	FB3-4168-000		2	STRAP, DOOR SUPPORT	
2	FB3-6549-000		1	GUIDE, FEED, LOWER	
3	FB3-6550-000		2	FLAPPER	
4	FB3-6553-000		3	BUSHING	
5	FB3-6572-000		2	STATIC CHARGE ELIMINATOR, 2	
6	FB3-6555-000		1	PLATE, SUPPORT	
7	FB3-6559-000		1	SPACER	
8	FB3-6560-000		1	LEVER, REAR	
9	FB3-6561-000		2	SPRING, TORSION	
10	FB3-6562-000		1	GUIDE, LOWER, 2	
11	FB3-6563-000		1	LEVER, FRONT	
12	FB3-6565-000		2	WASHER, BRAKE, STOP	
13	FB4-4263-000		1	ROLLER, FEED	
14	FB4-4341-000		3	ROLLER, FEED	
15	FC1-4922-000		1	COUPLING	
16	FS1-9222-020		2	SCREW, STEPPED, M3	
17	FS2-6458-000		2	ROLLER	
18	FS4-2122-000		1	SPRING, COMPRESSION	
19	FS5-1665-000		6	BUSHING	
20	FS5-1667-000		3	BUSHING	
21	FS5-3512-000		3	PULLEY, 32T	
22	FS5-3513-000		1	PULLEY, 40T	
23	FS5-6494-000		1	ROLLER, TENSIONER	
24	XF9-0600-000		1	BELT, TIMING	
25	FB3-6571-000		1	STATIC CHARGE ELIMINATOR, 1	
501	XB1-2300-409		2	SCREW, MACH., TRUSS HEAD, M3X4	
502	XB1-2400-609		2	SCREW, MACH., TRUSS HEAD, M4X6	
503	XB4-7400-809		2	SCREW, TAPPING, TRUSS HEAD, M4X8	
504	XD2-1100-502		6	RING, E	

FIGURE & KEY NO.	PART NUMBER	R A N K	Q T Y	DESCRIPTION	SERIAL NUMBER / REMARKS
366 - 505	XD2-1100-642		4	RING,E	
506	XD3-2200-142		1	PIN,DOWEL	

# FIGURE 367

## UPPER HORIZONTAL FEEDER ASSEMBLY (CLC1150)

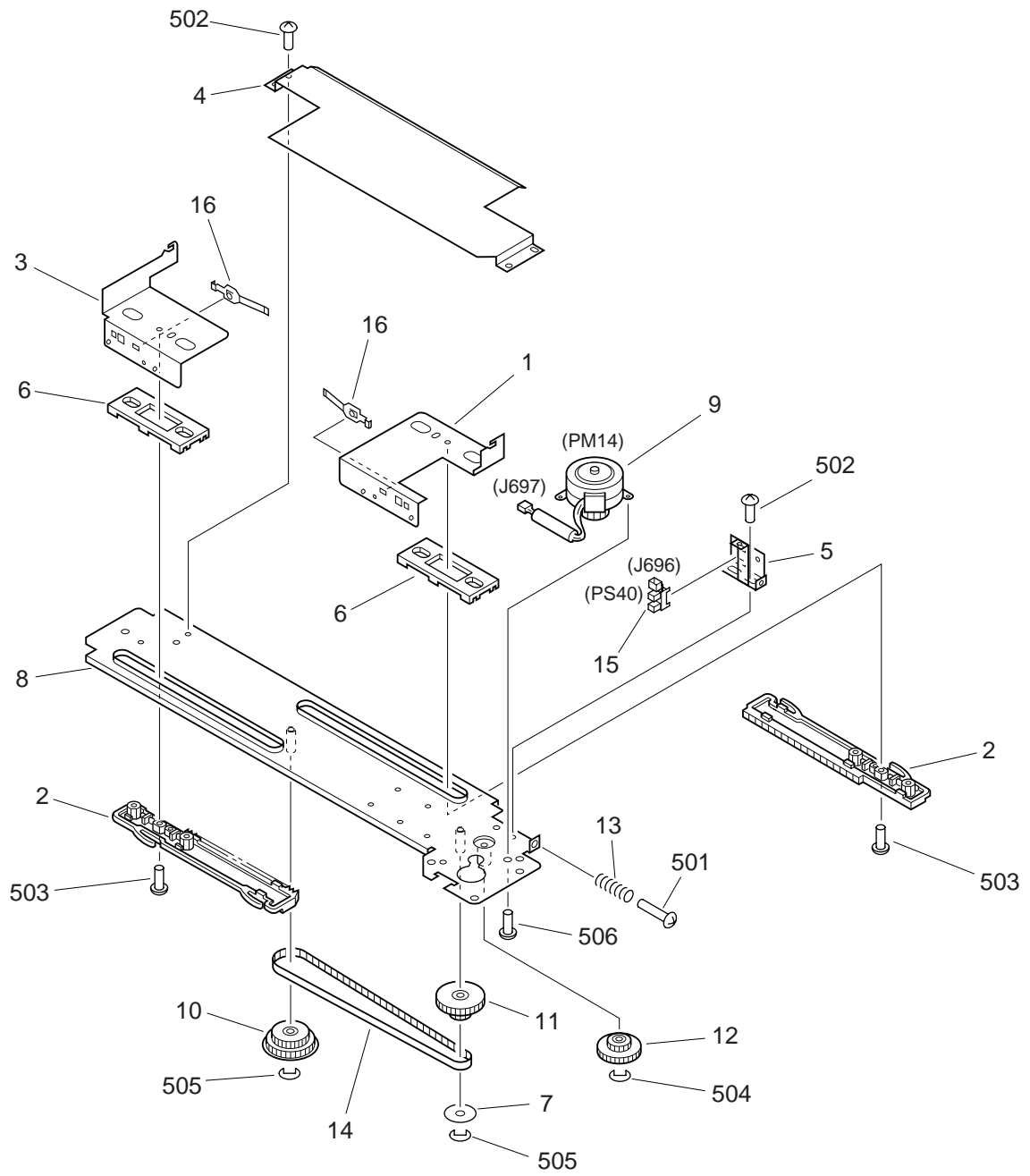


NOTE : This assembly is included in the assembly shown in Figure 365.

FIGURE & KEY NO.	PART NUMBER	RANK	QTY	DESCRIPTION	SERIAL NUMBER / REMARKS
367 -	FG6-0811-000		1	UPPER HORIZONTAL FEEDER ASS'Y	CLC1150 SEE NOTE
1	FB3-6539-000		1	KNOB, FEED, GUIDE	
2	FB3-6540-000		2	SPRING, LEAF	
3	FB3-6541-000		2	LEVER, SENSOR	
4	FB3-6542-000		2	SPRING, TORSION	
5	FB3-6556-000		4	SPRING, LEAF	
6	FC1-4833-000		6	ROLLER	
7	FB4-5152-000		12	SPRING, LEAF	
8	FG5-8060-000		1	CABLE, FEED	J692,698,699
9	FB4-5123-000		8	ROLLER	
10	RA2-0349-000		4	SUPPORT, ROLLER	
11	FH7-7326-000		2	PHOTO-INTERRUPTER	PS34,35 J699,698
12	FS5-6491-000		2	ROLLER	
501	XB4-7300-809		2	SCREW,TAPPING,TRUSS HEAD,M3X8	
502	XD2-1100-422		1	RING,E	

# FIGURE 368

## SIDE JOGGING GUIDE PLATE ASSEMBLY (CLC1150)



NOTE : This assembly is included in the assembly shown in Figure 365.

FIGURE & KEY NO.	PART NUMBER	RANK	QTY	DESCRIPTION	SERIAL NUMBER / REMARKS
368 -	FG5-7770-000		1	SIDE JOGGING GUIDE PLATE ASS'Y	CLC1150 SEE NOTE
1	FB3-6502-000		1	MOUNT, SIDE FRONT	
2	FC1-4893-000		2	RACK	
3	FB3-6503-000		1	MOUNT, SIDE REAR	
4	FB3-6504-000		1	GUIDE, RAIL UPPER	
5	FC1-4898-000		1	MOUNT, SENSOR	
6	FC1-4899-000		2	PIN, SLIDE	
7	FC1-4935-000		1	FLANGE	
8	FF5-5466-000		1	PLATE, SIDE RAIL	
9	FH6-1293-000		1	MOTOR, DC	PM14 J697
10	FS2-3612-000		1	PULLEY, 60T/GEAR, 28T	
11	FS2-3613-000		1	PULLEY, 24T/GEAR, 35T	
12	FS3-0955-000		1	GEAR, 14T/28T	
13	FS4-2143-000		1	SPRING, COMPRESSION	
14	XF9-0348-000		1	BELT, TIMING	
15	FH7-7326-000		1	PHOTO-INTERRUPTER	PS40 J696
16	FB3-6522-000		2	SPRING, LEAF	
501	XB1-2301-609		1	SCREW,MACH.,TRUSS HEAD,M3X16	
502	XB1-2400-609		3	SCREW,MACH.,TRUSS HEAD,M4X6	
503	XB1-2401-209		2	SCREW,MACH.,TRUSS HEAD,M4X12	
504	XD2-1100-642		1	RING,E	
505	XD2-1100-502		2	RING,E	
506	XB1-2300-609		2	SCREW,MACH.,TRUSS HEAD,M3X6	

# FIGURE 420

## MIRROR ASSEMBLY 1

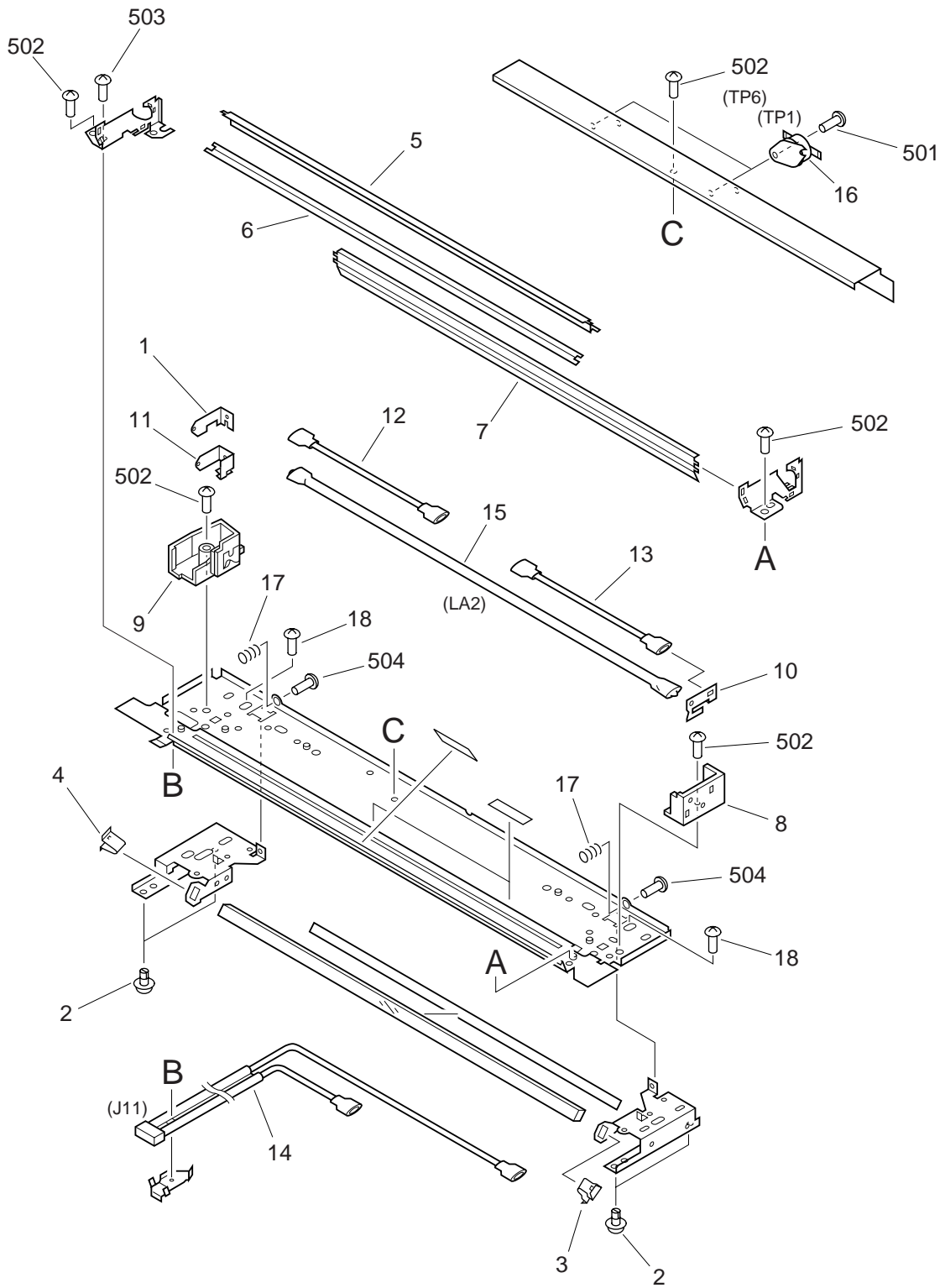


FIGURE & KEY NO.	PART NUMBER	R A N K	Q T Y	DESCRIPTION	SERIAL NUMBER / REMARKS
420 -	FG6-0922-000		1	MIRROR ASSEMBLY 1	
1	FB1-6644-000		1	TERMINAL, REAR	
2	FB1-6647-000		4	PIN, SLIDE	
3	FB1-6649-000		1	SPRING, LEAF	
4	FB1-6657-000		1	SPRING, LEAF	
5	FB2-0249-000		1	REFLECTOR, UPPER	
6	FB2-0250-000		1	REFLECTOR, LOWER	
7	FB2-0251-000		1	REFLECTOR, AUXILIARY	
8	FB2-9064-000		1	TERMINAL, LAMP, FRONT	
9	FB2-9065-000		1	TERMINAL, LAMP, REAR	
10	FF5-1178-000		1	TERMINAL, FRONT	
11	FF5-1179-000		1	TERMINAL, REAR	
12	FF5-7954-000		1	CABLE, THERMOSWITCH CONNECTING	
13	FG5-1931-000		1	MIRROR CABLE 1	
14	FH2-6581-000		1	CABLE, LAMP CONNECTING	J11
15	FH7-3349-000		1	LAMP, HALOGEN, 70V 200W	LA2
16	FH7-6283-000		2	THERMOSTAT UNIT	TP1,6
17	FS5-2295-000		2	SPRING, COMPRESSION	
18	XA9-0253-000		4	SCREW, MACH., PAN HEAD, M3X8	
501	XB1-2300-409		4	SCREW, MACH., TRUSS HEAD, M3X4	
502	XB1-2300-609		10	SCREW, MACH., TRUSS HEAD, M3X6	
503	XB1-2300-809		1	SCREW, MACH., TRUSS HEAD, M3X8	
504	XB1-2301-609		2	SCREW, MACH., TRUSS HEAD, M3X16	



# FIGURE 430

## MIRROR ASSEMBLY 2

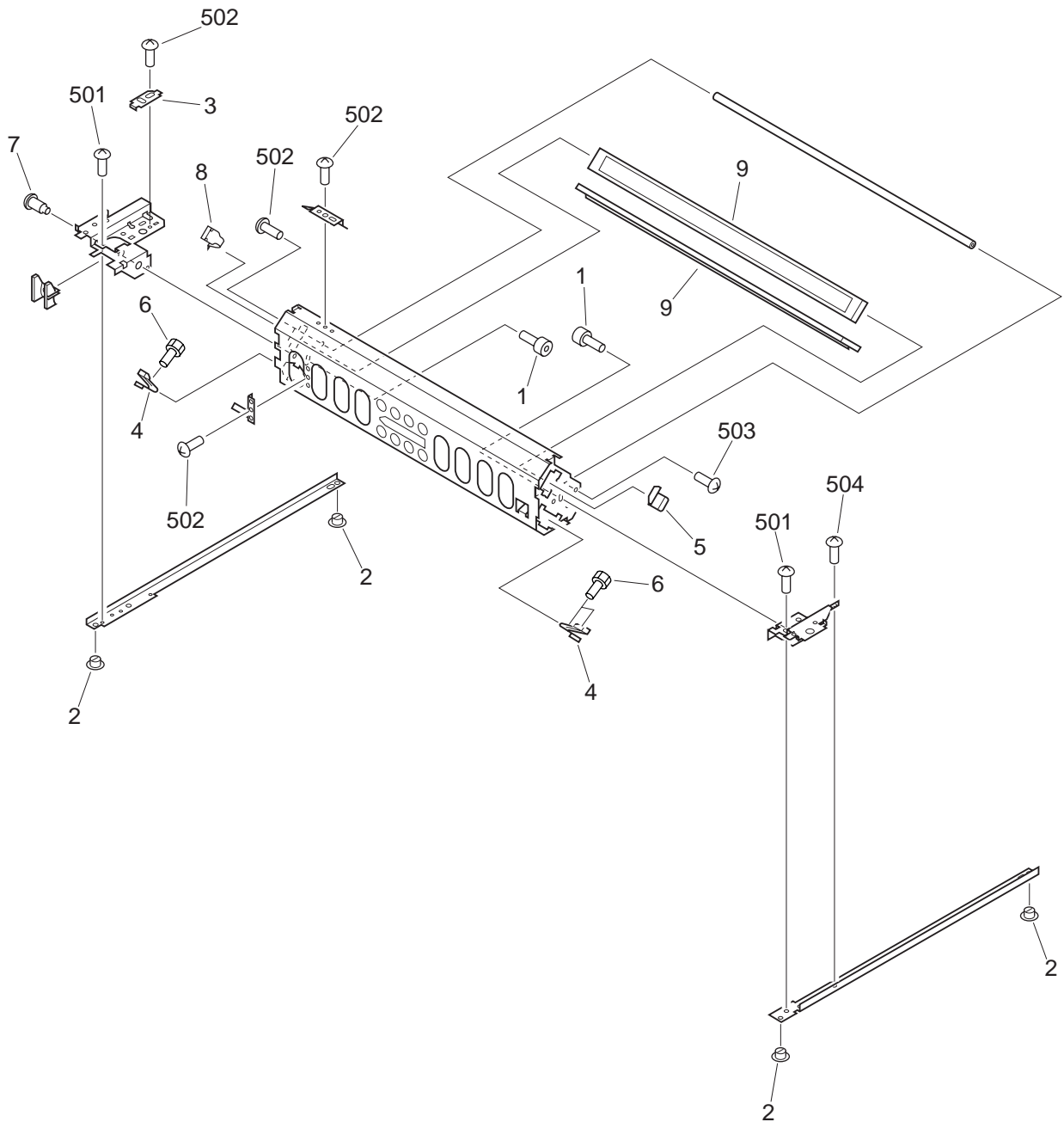
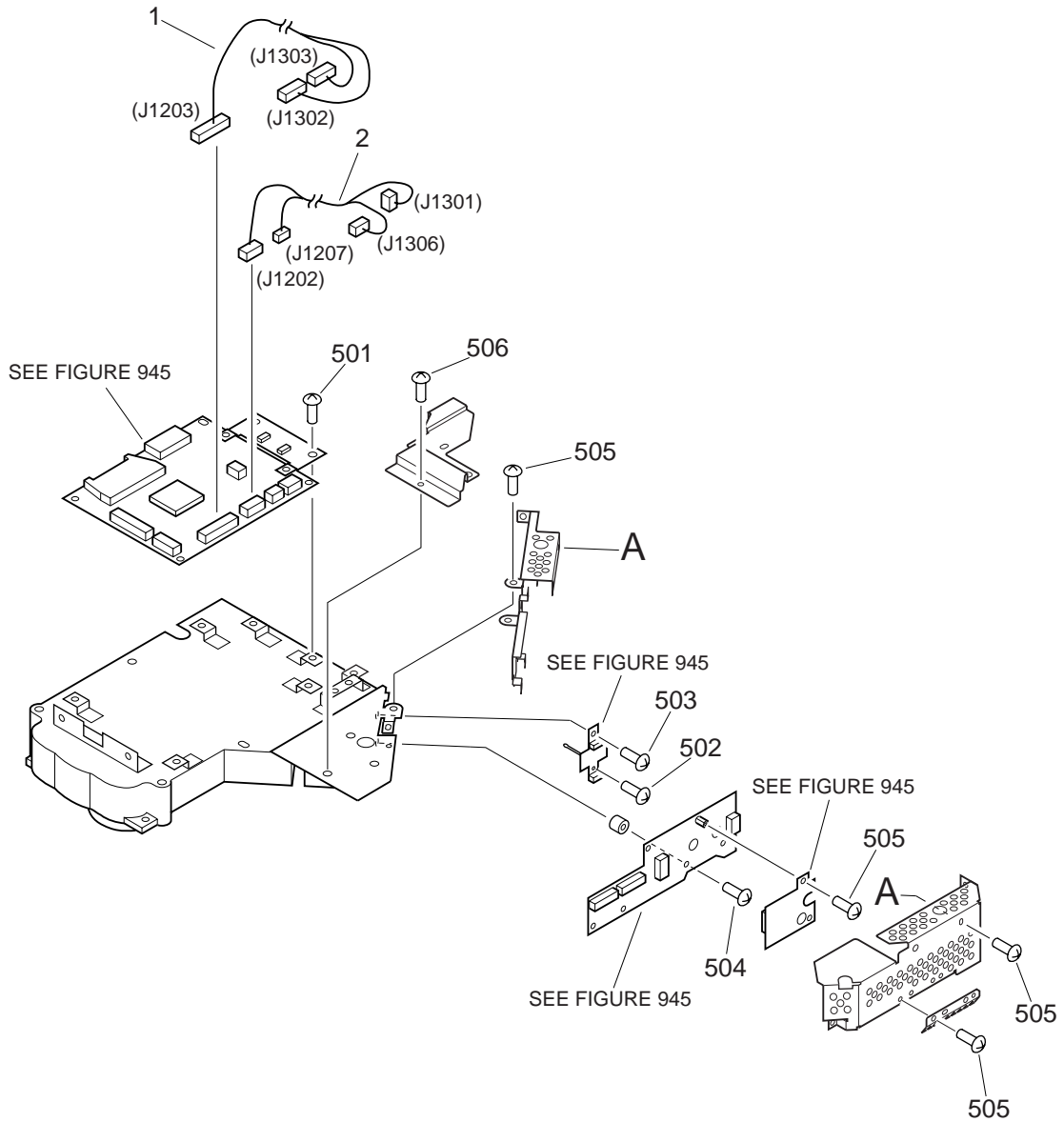


FIGURE & KEY NO.	PART NUMBER	R A N K	Q T Y	DESCRIPTION	SERIAL NUMBER / REMARKS
430 -	FG6-0923-000		1	MIRROR ASSEMBLY 2	
1	FA9-1990-000		3	SETSCREW,W/WASHER,M3X6	
2	FB1-6647-000		4	PIN, SLIDE	
3	FB1-6655-000		1	PLATE	
4	FB1-6656-000		2	SPRING, MIRROR, FRONT, 3	
5	FB1-6660-000		1	SPRING, LEAF	
6	XA9-0425-000		3	SETSCREW, HEX SOCKET	
7	FS5-9338-000		1	SCREW, STEPPED, M4	
8	FB4-4863-000		1	SPRING, LEAF	
9	FF5-8251-000		2	MIRROR, 2/3	
501	XB1-1300-309		4	SCREW,MACH.,PAN HEAD,M3X3	
502	XB1-2300-309		6	SCREW,MACH.,TRUSS HEAD,M3X3	
503	XB1-2300-609		2	SCREW,MACH.,TRUSS HEAD,M3X6	
504	XB1-1300-307		1	SCREW,MACH.,PAN HEAD,M3X3	

# FIGURE 460

## LASER SCANNER ASSEMBLY

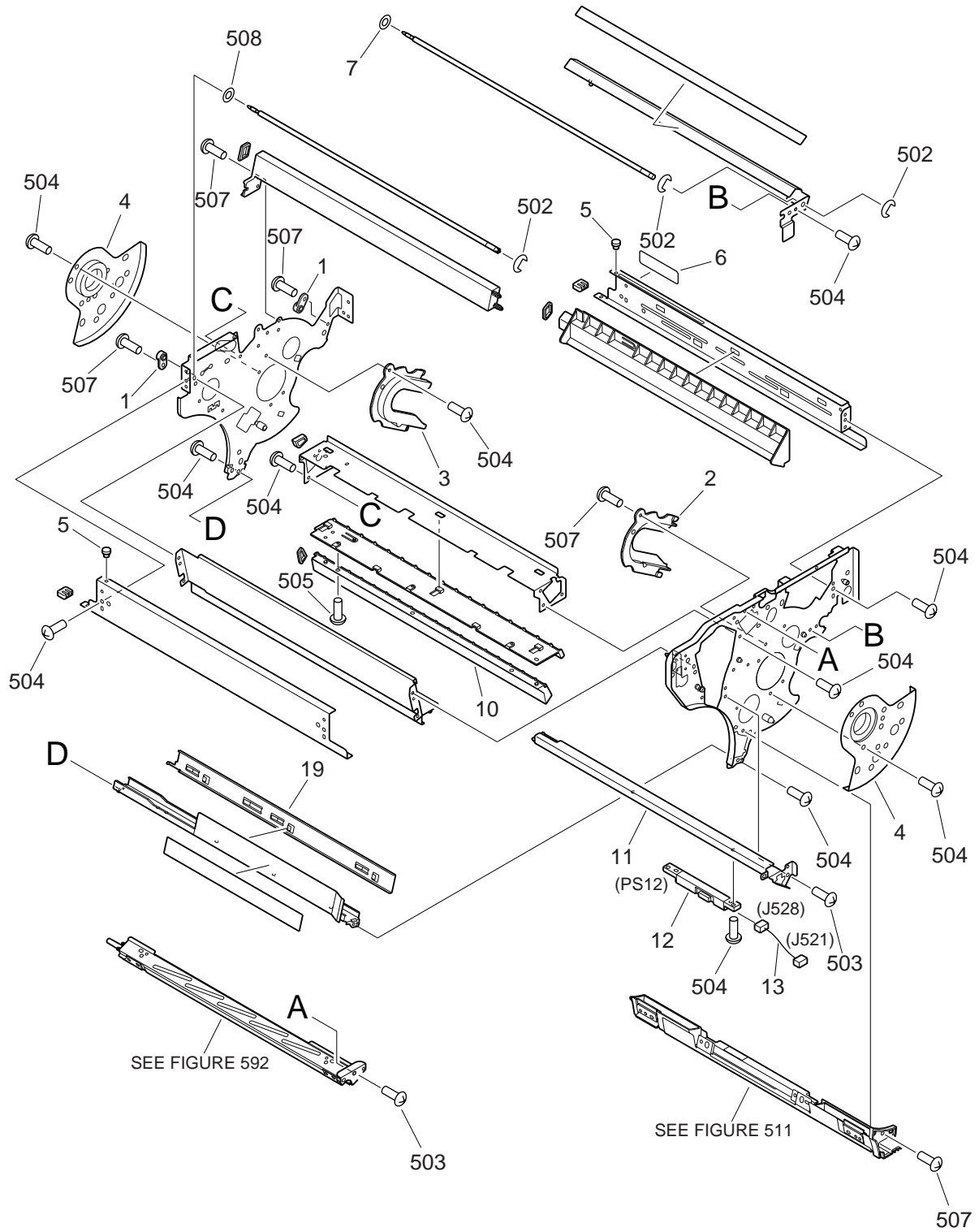


NOTE : This assembly includes the assemblies shown in Figure 945.

FIGURE & KEY NO.	PART NUMBER	R A N K	Q T Y	DESCRIPTION	SERIAL NUMBER / REMARKS
460 -	FG6-0957-000		1	LASER SCANNER ASSEMBLY	SEE NOTE
1	FG6-2440-000		1	CABLE, LASER, 1	J1203,1302,1303
2	FG6-2441-000		1	CABLE, LASER, 2	J1202,1207,1301,1306
501	XB1-2400-607		6	SCREW,MACH.,TRUSS HEAD,M4X6	
502	XB1-2200-807		1	SCREW,MACH.,TRUSS HEAD,M2X8	
503	XB1-2300-807		1	SCREW,MACH.,TRUSS HEAD,M3X8	
504	XB1-2301-207		2	SCREW,MACH.,TRUSS HEAD,M3X12	
505	XB1-2300-407		7	SCREW,MACH.,TRUSS HEAD,M3X4	
506	XB1-2400-607		2	SCREW,MACH.,TRUSS HEAD,M4X6	

# FIGURE 510

## PHOTOSENSITIVE DRUM ASSEMBLY (1/2)



# FIGURE 510

## PHOTOSENSITIVE DRUM ASSEMBLY (2/2)

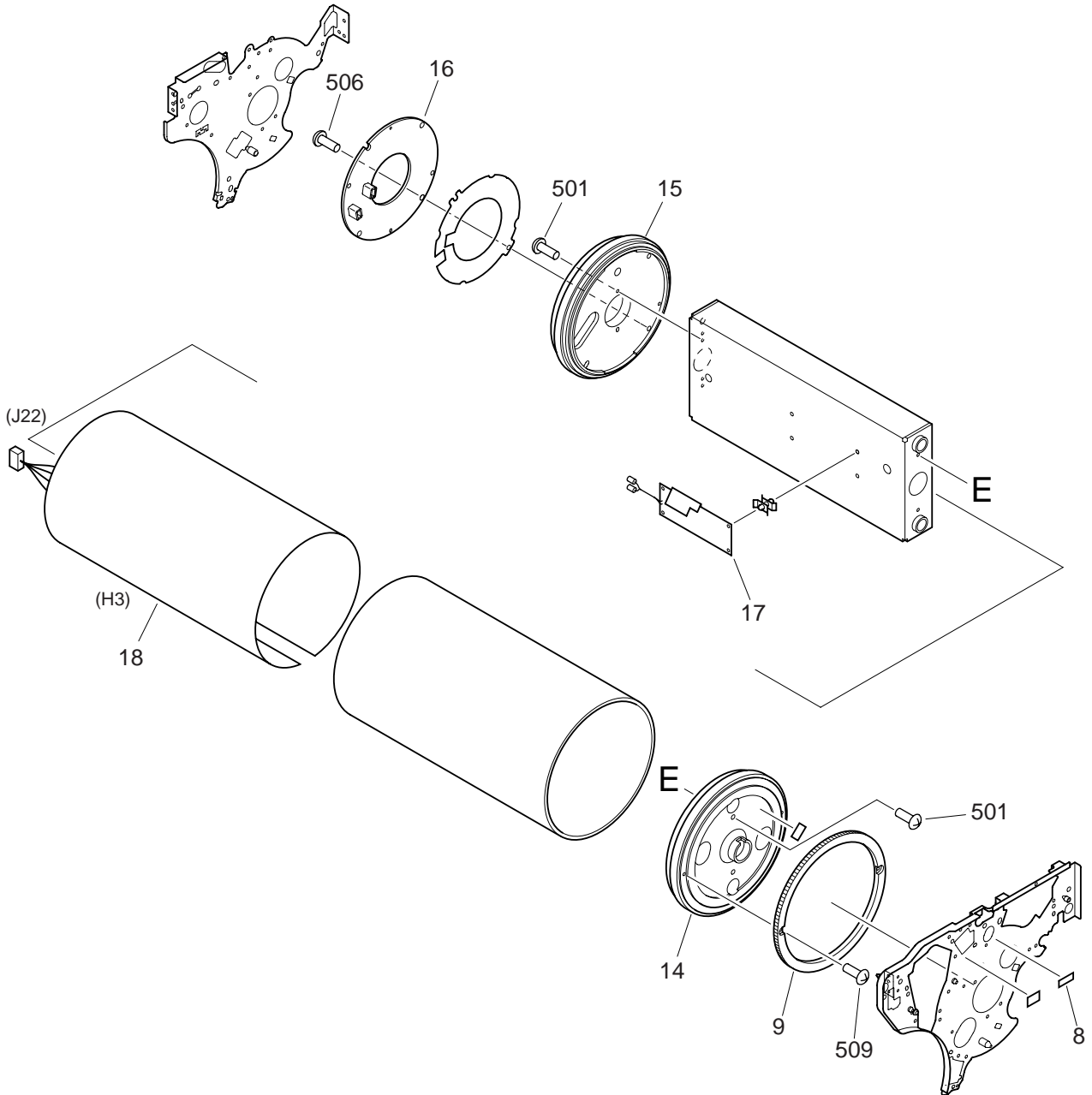


FIGURE & KEY NO.	PART NUMBER	RANK	QTY	DESCRIPTION	SERIAL NUMBER / REMARKS
510 -	NPN		RF	PHOTOSENSITIVE DRUM ASSEMBLY	
1	FB2-0399-000		2	SPACER	
2	FB2-0409-000		1	GUIDE, DRUM, FRONT	
3	FB2-0410-000		1	GUIDE, DRUM, REAR	
4	FB2-0411-000		2	BLOCK, PUSH-ON	
5	FB2-0485-000		2	PIN, SLIDE, 2	
6	FS6-8400-000		1	LABEL, SLIPING	
7	FB4-4702-000		1	WASHER	
8	ME1-0038-000		1	LABEL, "WARNING, HIGH VOLTAGE"	
9	FS5-0651-000		1	GEAR, 300T	
10	FF5-8385-000		1	DUCT, POST	
11	FG6-1046-000		1	SWEEPER STRIP ASSEMBLY 2	
12	FG6-1038-000		1	CLEANING FRONT SENSOR UNIT	PS12 J528
13	FG6-2467-000		1	CABLE, CLEANING FRONT	J521,528
14	FB4-4681-000		1	FLANGE, FRONT	
15	FB4-4682-000		1	FLANGE, REAR	
16	FB4-4683-000		1	RING, SLIP	
17	FH6-3905-000		1	HEATER CONTROLLER PCB ASSEMBLY	100/120V
	FH6-3906-000		1	HEATER CONTROLLER PCB ASSEMBLY	220/240V
18	FH7-4458-000		1	HEATER	100V H3 J22
	FH7-4459-000		1	HEATER	120V H3 J22
	FH7-4460-000		1	HEATER	220/240V H3 J22
19	FF5-2037-000		1	CROSSMEMBER, LEFT	
501	XB1-2401-209		4	SCREW, MACH., TRUSS HEAD, M4X12	
502	XD2-1100-502		3	RING, E	
503	XB1-2400-607		4	SCREW, MACH., TRUSS HEAD, M4X6	
504	XB1-2400-609		18	SCREW, MACH., TRUSS HEAD, M4X6	
505	XB4-7400-609		3	SCREW, TAPPING, TRUSS HEAD, M4X6	
506	XB6-7400-809		2	SCREW, TP, M4X8	
507	XB6-7400-609		6	SCREW, TP, M4X6	

FIGURE & KEY NO.	PART NUMBER	R A N K	Q T Y	DESCRIPTION	SERIAL NUMBER / REMARKS
510 - 508	XD1-2100-405		1	WASHER,PLAIN	
509	XB1-2401-009		2	SCREW,MACH.,TRUSS HEAD,M4X10	



# FIGURE 511

## BLADE ASSEMBLY 2/BLACK TONER SENSOR ASS'Y

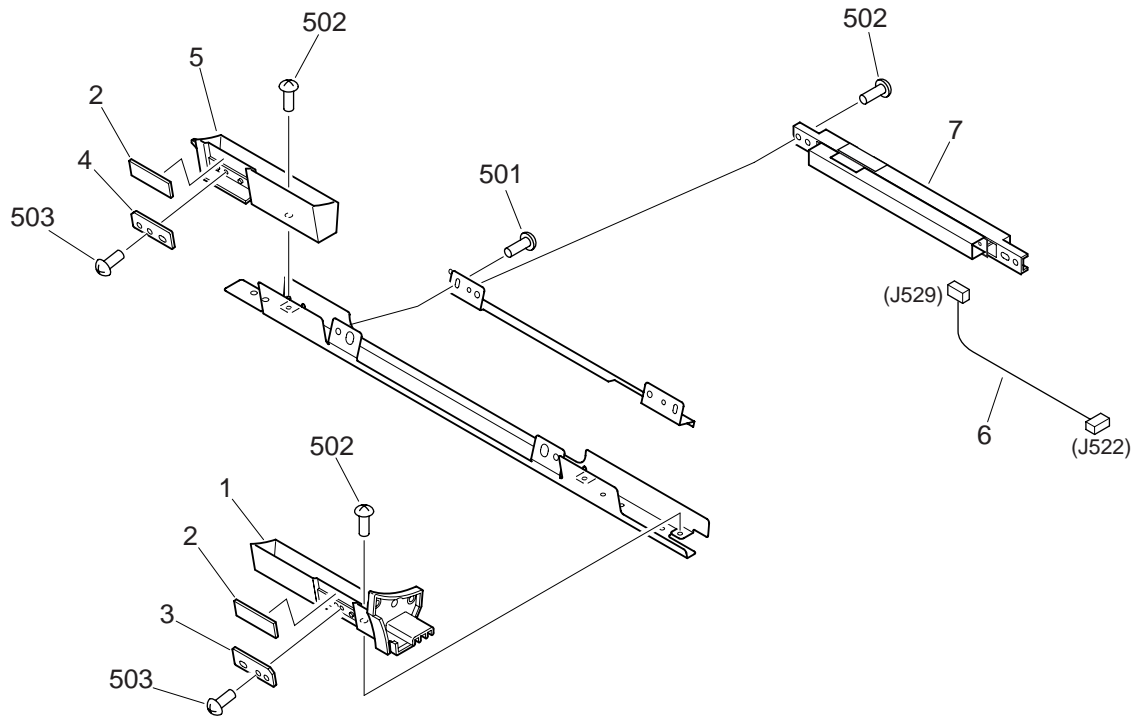
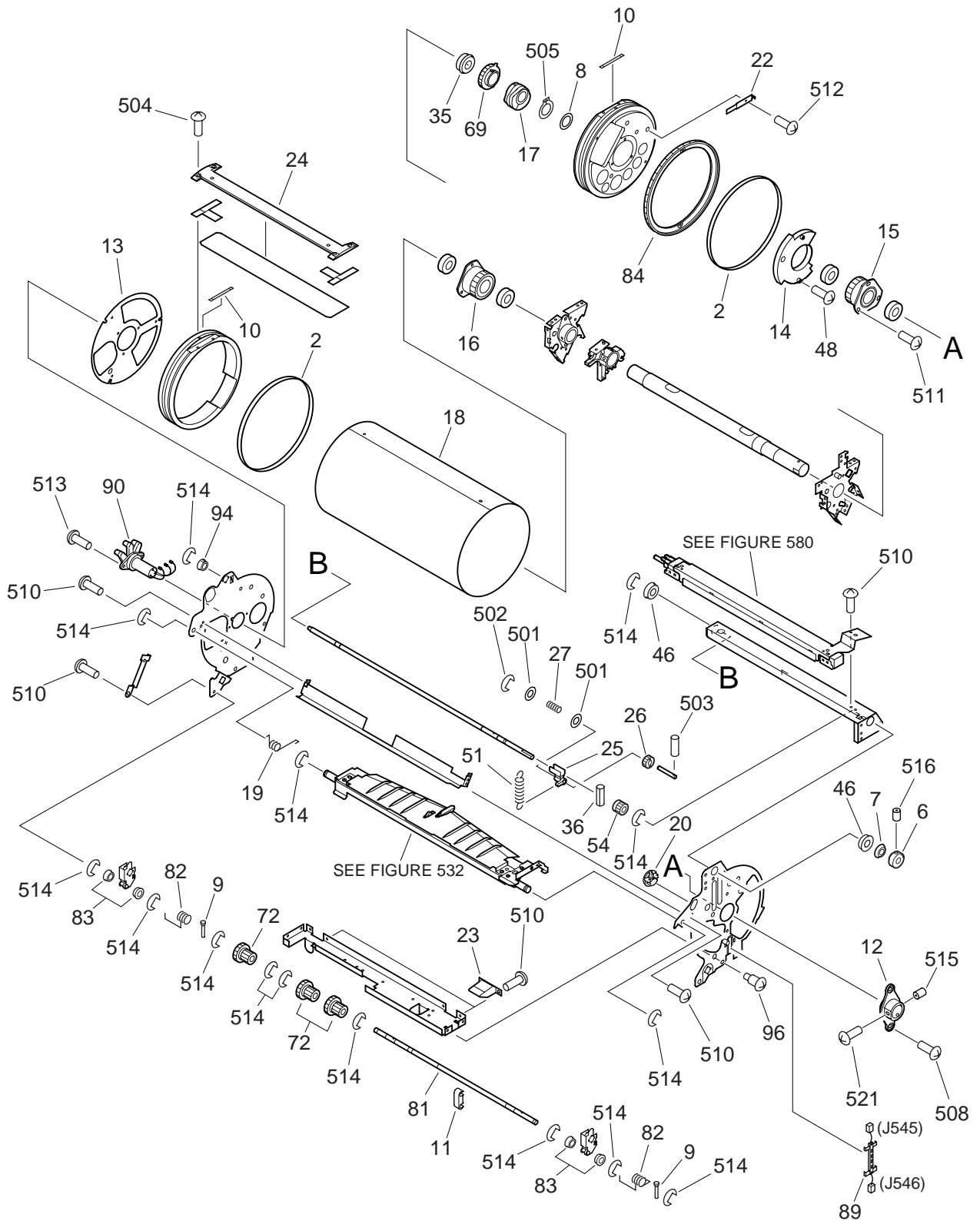


FIGURE & KEY NO.	PART NUMBER	RANK	QTY	DESCRIPTION	SERIAL NUMBER / REMARKS
511 -	FG6-0890-000		1	BLADE ASSEMBLY 2	
1	FB2-0418-000		1	BLOCK, FRONT	
2	FB2-0421-000		2	BLADE, 2	
3	FB2-8974-000		1	RETAINER, BLADE, 2 FRONT, 1	
4	FB2-8976-000		1	RETAINER, BLADE, 2 REAR, 1	
5	FB4-4730-000		1	BLOCK, REAR	
6	FG6-2545-000		1	CABLE, BLACK TONER SENSOR	J522 529
7	FG5-2610-000		1	BLACK TONER SENSOR ASSEMBLY	
501	XB1-2300-409		2	SCREW, MACH., TRUSS HEAD, M3X4	
502	XB1-2300-609		5	SCREW, MACH., TRUSS HEAD, M3X6	
503	XB4-7300-609		2	SCREW, TAPPING, TRUSS HEAD, M3X6	

# FIGURE 530

## TRANSFER DRUM ASSEMBLY(1/3)



NOTE : This assembly includes the assemblies shown in Figure 532, 580 and 590.



# FIGURE 530

## TRANSFER DRUM ASSEMBLY(3/3)

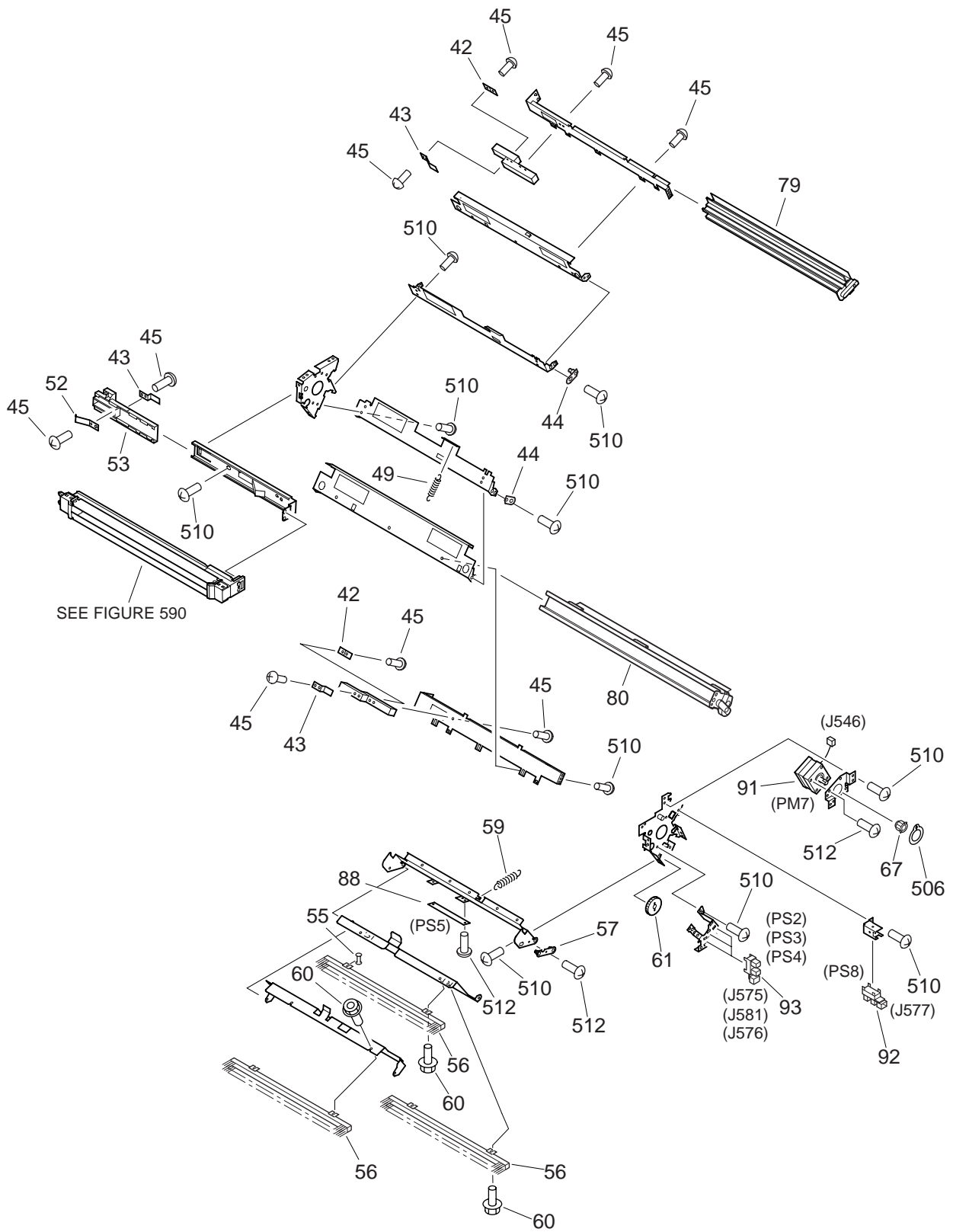


FIGURE & KEY NO.	PART NUMBER	R A N K	Q T Y	DESCRIPTION	SERIAL NUMBER / REMARKS
530 -	FG6-0788-000		1	TRANSFER DRUM ASSEMBLY	SEE NOTE
1	FS2-1012-000		2	BUSHING	
2	FB2-0524-020		2	RING, POSITIONING	
3	FB2-0531-000		3	LEVER, PRESSURE	
4	FB2-0532-000		3	ROLLER, PRESSURE	
5	FB2-0538-000		2	HOLDER, SHAFT	
6	FB2-0539-000		1	BLOCK, THRUST STOP	
7	FB2-0540-000		1	SPACER	
8	FB2-0561-000		1	WASHER	
9	FB2-0582-000		5	PIN	
10	FB2-0584-020		2	SPACER, ROLLER	
11	FB2-0594-000		1	SUPPORT, SHAFT	
12	FB2-9136-000		1	BLOCK, DRUM STOP	
13	FB4-4181-000		1	FLANGE, REAR	
14	FB4-4187-000		1	FLAG, SENSOR	
15	FB4-4192-000		1	HOLDER, BEARING, FRONT	
16	FB4-4193-000		1	HOLDER, BEARING, REAR	
17	FB4-4194-000		1	CAM, BRUSH	
18	FB4-4195-000		1	SHEET, TRANSFER DRUM	
19	FB4-4204-000		1	SPRING, TORSION	
20	FB4-4972-000		1	HOLDER, CORONA, REAR	
21	FB4-5202-000		1	ELIMINATOR, STATIC CHARGE	
22	FC1-1117-000		1	ELIMINATOR, STATIC CHARGE	
23	FF5-2070-000		2	SCRAPER	
24	FF5-8380-000		1	PLATE, CONNECTING	
25	FB2-0579-000		1	HOLDER, HANDLE	
26	FS5-0737-000		1	GEAR, 23T	
27	FS5-2618-000		1	SPRING, COMPRESSION	
28	FB2-0532-000		1	ROLLER, PRESSURE	
29	FB2-0533-000		1	ARM, PRESSURE	

FIGURE & KEY NO.	PART NUMBER	RANK	QTY	DESCRIPTION	SERIAL NUMBER / REMARKS
530 - 30	FB2-0576-000		1	SPRING, TORSION	
31	FB2-0532-000		2	ROLLER, PRESSURE	
32	FB2-0533-000		2	ARM, PRESSURE	
33	FB2-0576-000		2	SPRING, TORSION	
34	FS5-3268-000		1	PULLEY, 16T	
35	XG9-0223-000		1	BEARING	
36	XD9-0104-000		1	PIN,DOWEL	
37	FB2-0631-020		1	COLLAR, PUSH-UP	
38	FB4-4209-000		1	LEVER, PUSH-UP	
39	FB4-4210-000		1	ARM, PUSH-UP ROLLER	
40	FH7-5851-000		1	SOLENOID	SL3 J582
41	FS6-2877-000		1	SPRING, TENSION	
42	FA5-9055-000		2	SPRING, LEAF	
43	FA5-9056-000		3	TERMINAL	
44	FF5-2081-000		2	SUPPORT, SHAFT	
45	XA9-0434-000		8	SCREW,TP,M3X4	
46	XG9-0250-000		2	BEARING, BALL	
47	XA9-1038-000		1	SCREW,P,M4X10	
48	XA9-1037-000		1	SCREW,P,M4X8	
49	FS6-2878-000		1	SPRING, TENSION	
50	FS7-0147-000		2	GEAR, 16T	
51	FS5-2590-000		1	SPRING, TENSION	
52	FB2-0578-000		1	SPRING, LEAF	
53	FB4-4214-000		1	RAIL, INTERNAL ELIMINATOR	
54	FS5-0738-000		1	GEAR, 23T	
55	FB1-6647-000		1	PIN, SLIDE	
56	FB2-0506-000		3	BRUSH	
57	FF5-2089-000		1	SUPPORT, SHAFT	
58	FH7-7470-000		1	PHOTO-MICROSENSOR PCB ASS'Y	PS6
59	FS6-2879-000		1	SPRING, TENSION	

FIGURE & KEY NO.	PART NUMBER	RANK	QTY	DESCRIPTION	SERIAL NUMBER / REMARKS
530 - 60	XA9-0800-000		6	SETSCREW, HEX SOCKET, M3X6	
61	FS5-0728-000		1	GEAR, 40T	
62	FB2-0588-000		2	ARM, ROLLER	
63	FB2-0591-000		2	SPRING, TORSION	
64	FB2-0592-000		2	ROLLER	
65	FB2-0593-000		1	BEARING	
66	FB2-0595-000		1	SPRING, TORSION	
67	FS5-0682-000		1	GEAR, 14T	
68	FG5-7346-001		1	ROLLER ENGAGEMENT CLUTCH ASS'Y	
69	FS5-0681-000		1	GEAR, 55T	
70	FF5-7976-000		1	MOTOR, DC24V	M9 J546
71	FS1-1462-000		4	BUSHING	
72	FS5-0984-000		5	GEAR, 18T/32T	
73	FS5-2628-000		1	SPRING, COMPRESSION	
74	FS5-3264-000		1	GEAR, 18T/PULLEY, 28T/42T	
75	FS5-3265-000		1	PULLEY, 28T	
76	XF9-0358-000		1	BELT, TIMING, 56T	
77	XF9-0430-000		1	BELT, TIMING, FLAT	
78	XG9-0211-000		4	BALL BEARING, MF128ZZ1MC3D4M	
79	FG6-0797-000		1	TRANSFER BLADE UNIT	
80	FG6-0798-000		1	ATTRACTION BRUSH UNIT	
81	FB2-0543-000		1	SHAFT, PRESSURE LEVER	
82	FB2-0581-000		2	SPRING, TORSION	
83	FS1-1509-000		4	BUSHING	
84	FS5-0651-000		1	GEAR, 300T	
85	FG6-2405-000		1	TRANSFER DRIVER PCB ASSEMBLY	
86	VS1-5057-002		1	CONNECTOR, SNAP TIGHT	J582
87	WT2-0365-000		2	CLIP, CABLE	
88	FH7-7470-000		1	PHOTO-MICROSENSOR PCB ASS'Y	PS5
89	FG6-2437-000		1	CABLE, MOTOR CONNECTING	J545,546

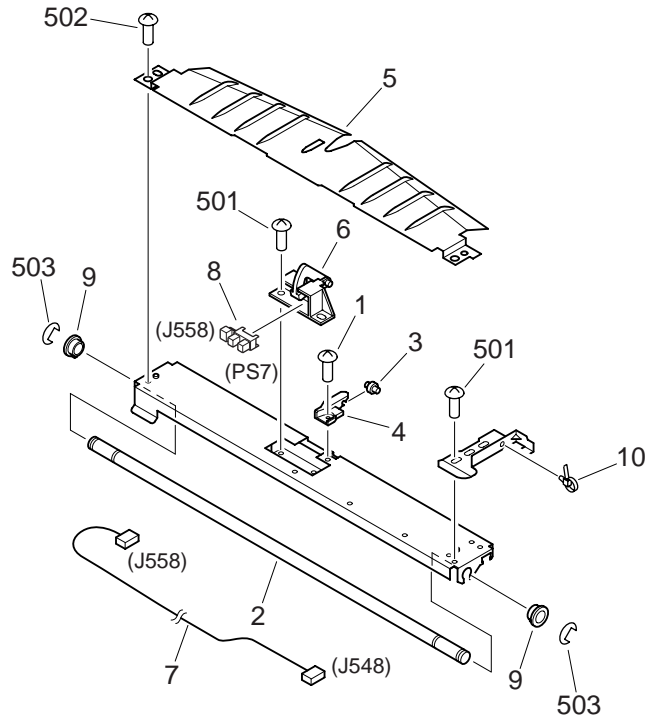
FIGURE & KEY NO.	PART NUMBER	RANK	QTY	DESCRIPTION	SERIAL NUMBER / REMARKS
530 - 90	FH2-9069-060		1	CABLE, HVT	
91	FH6-1573-000		1	MOTOR, STEPPING, DC24V	PM7 J546
92	FH7-7217-000		1	PHOTO-INTERRUPTER, TLP1215	PS8 J577
93	FH7-7394-000		3	PHOTO-INTERRUPTER	PS2-4 J575,581,576
94	FS1-1189-000		1	BUSHING	
95	FS1-1422-000		3	BUSHING	
96	FS2-9267-000		4	SCREW, STEPPED, M4	
97	FB4-5111-000		1	ROLLER	
501	XD1-1106-225		2	SHIM	
502	XD2-1100-502		9	RING,E	
503	XD3-2200-102		1	PIN,DOWEL	
504	XB1-2400-409		4	SCREW,MACH.,TRUSS HEAD,M4X4	
505	XD2-3100-252		1	RING,C,EXTERNAL	
506	XD2-2100-502		1	RING,GRIP	
507	XB1-2300-409		4	SCREW,MACH.,TRUSS HEAD,M3X4	
508	XB1-2500-605		2	SCREW,MACH.,TRUSS HEAD,M5X6	
509	XD3-1300-322		1	PIN,SPRING	
510	XB1-2400-609		AR	SCREW,MACH.,TRUSS HEAD,M4X6	
511	XB6-7400-609		11	SCREW,TP,M4X6	
512	XB1-2300-609		8	SCREW,MACH.,TRUSS HEAD,M3X6	
513	XB6-7300-609		2	SCREW,TP,M3X6	
514	XD2-1100-642		AR	RING,E	
515	XB6-2500-808		2	SETSCREW,M5X8	
516	XB6-2400-808		2	SETSCREW,M4X8	
517	XB1-2400-607		4	SCREW,MACH.,TRUSS HEAD,M4X6	
518	XB1-2300-407		2	SCREW,MACH.,TRUSS HEAD,M3X4	
519	XB1-2300-607		1	SCREW,MACH.,TRUSS HEAD,M3X6	
520	XB6-2400-408		6	SETSCREW,M4X4	
521	XB1-2500-809		1	SCREW,MACH.,TRUSS HEAD,M5X8	
522	XB1-2400-809		6	SCREW,MACH.,TRUSS HEAD,M4X8	



FIGURE & KEY NO.	PART NUMBER	R A N K	Q T Y	DESCRIPTION	SERIAL NUMBER / REMARKS
530 - 523	XD2-1100-802		1	RING,E	

# FIGURE 532

## SEPARATION CLAW ASSEMBLY



NOTE : This assembly is included in the assembly shown in Figure 530.

FIGURE & KEY NO.	PART NUMBER	RANK	QTY	DESCRIPTION	SERIAL NUMBER / REMARKS
532 -	FG6-0799-000		1	SEPARATION CLAW ASSEMBLY	SEE NOTE
1	FA9-1449-000		1	CAPTIVE SCREW M3X6	
2	FB2-0572-000		1	SHAFT, SEPARATION CLAW	
3	FB2-0649-000		1	ROLLER	
4	FB4-4237-000		1	CLAW, PAPER SEPARATION	
5	FB4-4239-000		1	PLATE, PAPER SEPARATION GUIDE	
6	FF5-8374-000		1	MOUNT, SEPARATION SENSOR	
7	FG5-3136-000		1	CABLE, SEPARATION SENSOR	J548,558
8	FH7-7217-000		1	PHOTO-INTERRUPTER, TLP1215	PS7 J558
9	FS1-1462-000		2	BUSHING	
10	WT2-5041-000		1	TIE, CABLE	
501	XB1-2300-609		2	SCREW,MACH.,TRUSS HEAD,M3X6	
502	XB1-2400-609		2	SCREW,MACH.,TRUSS HEAD,M4X6	
503	XD2-1100-642		2	RING,E	

# FIGURE 550

## PRIMARY CORONA ASSEMBLY

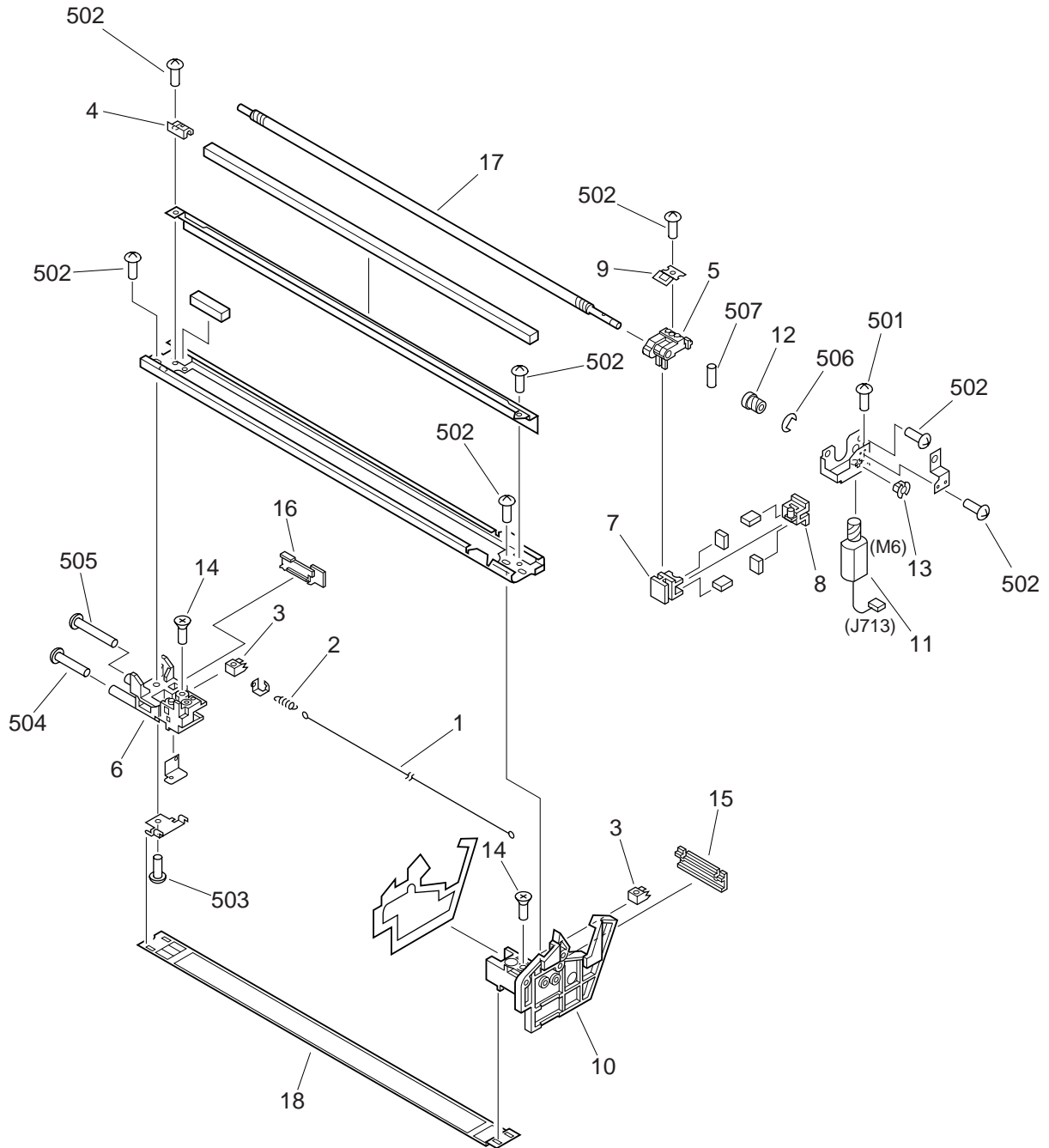
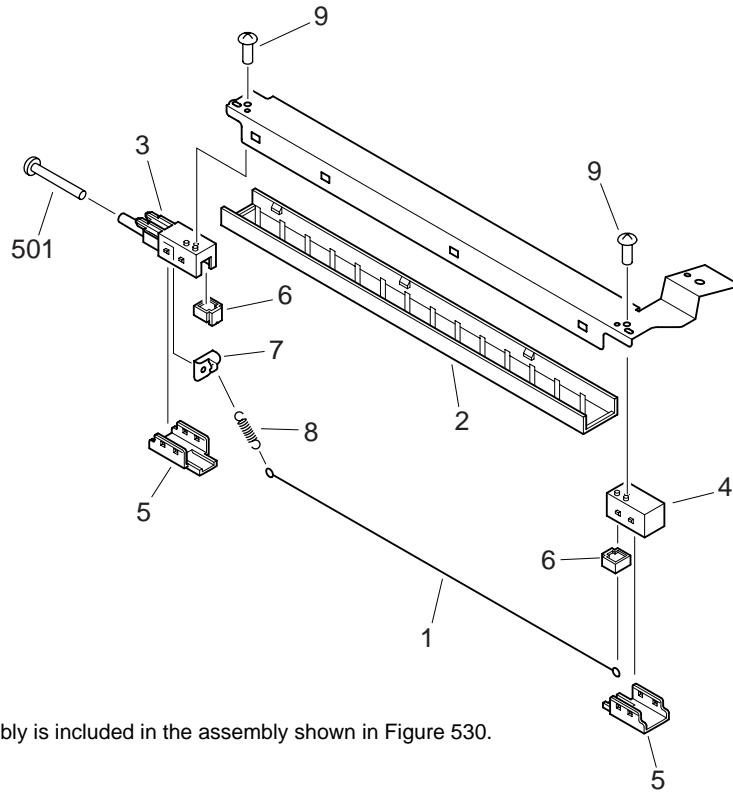


FIGURE & KEY NO.	PART NUMBER	R A N K	Q T Y	DESCRIPTION	SERIAL NUMBER / REMARKS
550 -	FG6-0892-000		1	PRIMARY CORONA ASSEMBLY	
1	FY3-0030-000		AR	WIRE, CORONA, 0.06MM (20M)	100V
	FY3-0040-000		AR	WIRE, CORONA, 0.06MM (20M)	120/220/240V
2	97-5527-000		1	SPRING, TENSION	
3	FA3-2118-000		2	GUIDE, CORONA WIRE	
4	FB2-0429-000		1	SUPPORT, SCREW	
5	FB2-0430-000		1	CLEANING, WIRE, 1	
6	FB4-4713-000		1	BLOCK, PRIMARY, REAR	
7	FF2-3551-000		1	BLOCK, CLEANING	
8	FF2-3552-000		1	HOLDER, FELT	
9	FF5-2219-020		1	PIN, RELEASE	
10	FF5-8387-000		1	BLOCK, PRIMARY, FRONT	
11	FG5-6556-000		1	MOTOR, DC	M6 J713
12	FS5-0715-000		1	GEAR, 14T	
13	FS5-1373-000		1	BUSHING	
14	XA9-0014-000		2	SCREW, INSUL., C.S.HEAD, M4X12	
15	FB4-4723-000		1	COVER, FRONT	
16	FB4-4724-000		1	COVER, REAR	
17	FB4-4725-000		1	SCREW, CLEANING	
18	FB4-5117-000		1	PLATE, GRID	
501	XB1-2200-409		2	SCREW, MACH., TRUSS HEAD, M2X4	
502	XB1-2300-609		10	SCREW, MACH., TRUSS HEAD, M3X6	
503	XB1-2300-803		1	SCREW, MACH., TRUSS HEAD, M3X8	
504	XB1-2303-003		1	SCREW, MACH., TRUSS HEAD, M3X30	
505	XB1-2304-503		1	SCREW, MACH., TRUSS HEAD, M3X45	
506	XD2-1100-322		1	RING, E	
507	XD3-2160-082		1	PIN, DOWEL	

# FIGURE 580

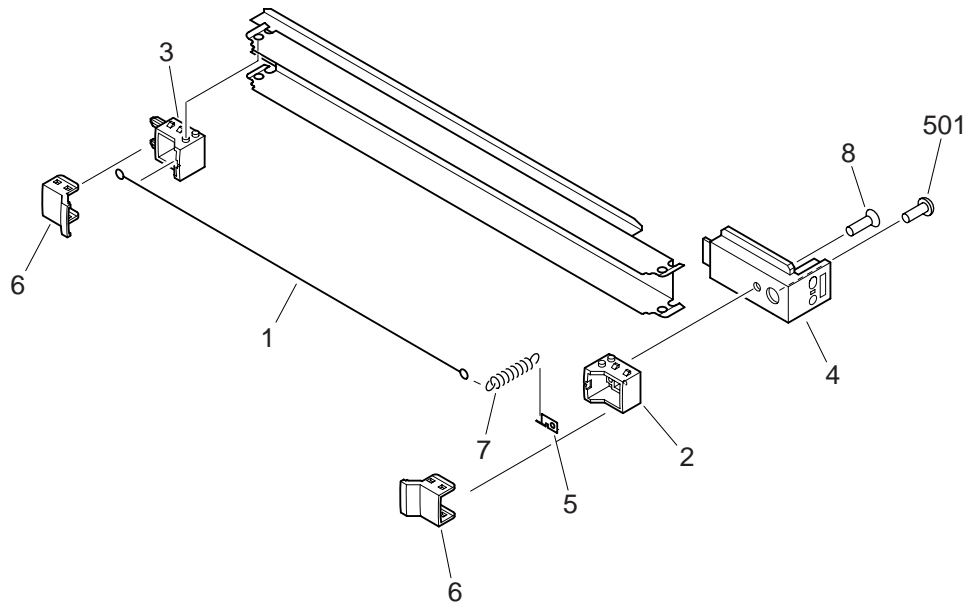
## SEPARATION CORONA ASSEMBLY



NOTE : This assembly is included in the assembly shown in Figure 530.

FIGURE & KEY NO.	PART NUMBER	RANK	QTY	DESCRIPTION	SERIAL NUMBER / REMARKS
580 -	FG6-0795-000		1	SEPARATION CORONA ASSEMBLY	SEE NOTE
1	FY3-0030-000		AR	WIRE, CORONA, 0.06MM (20M)	100V
	FY3-0040-000		AR	WIRE, CORONA, 0.06MM (20M)	120/220/240V
2	FB4-4219-000		1	COVER, PROTECTIVE	
3	FB4-4221-000		1	BLOCK, CORONA, REAR	
4	FB4-4222-000		1	BLOCK, CORONA, FRONT	
5	FB4-4223-000		2	COVER, CORONA BLOCK	
6	FB4-4224-000		2	SUPPORT, CORONA WIRE	
7	FB4-5106-000		1	TERMINAL, CORONA WIRE	
8	FS2-2551-000		1	SPRING, TENSION, CORONA WIRE	
9	XA9-0915-000		2	SCREW,P,M3X6	
501	XB1-2304-503		1	SCREW,MACH.,TRUSS HEAD,M3X45	

# FIGURE 590 INTERNAL CORONA ASSEMBLY



NOTE : This assembly is included in the assembly shown in Figure 530.

FIGURE & KEY NO.	PART NUMBER	RANK	QTY	DESCRIPTION	SERIAL NUMBER / REMARKS
590 -	FG6-0796-000		1	INTERNAL CORONA ASSEMBLY	SEE NOTE
1	FY3-0030-000		AR	WIRE, CORONA, 0.06MM (20M)	100V
	FY3-0040-000		AR	WIRE, CORONA, 0.06MM (20M)	120/220/240V
2	FB4-4226-000		1	BLOCK, CORONA, REAR	
3	FB4-4227-000		1	BLOCK, CORONA, FRONT	
4	FB4-4229-000		1	PLATE, FIXING	
5	FB4-4230-000		1	PLATE, SPRING HOOK	
6	FB4-4231-000		2	COVER, CORONA BLOCK	
7	FS2-2551-000		1	SPRING, TENSION, CORONA WIRE	
8	XA9-0015-000		1	SCREW, M3X6	
501	XB1-2301-002		1	SCREW, MACH., TRUSS HEAD, M3X10	

# FIGURE 591

## OUTER CORONA ASSEMBLY

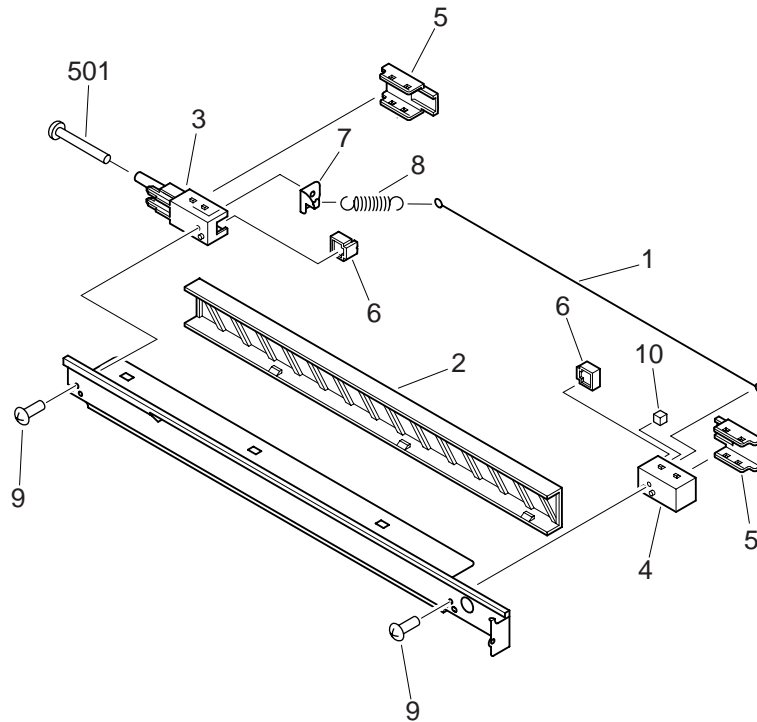


FIGURE & KEY NO.	PART NUMBER	RANK	QTY	DESCRIPTION	SERIAL NUMBER / REMARKS
591 -	FG6-0801-000		1	OUTER CORONA ASSEMBLY	
1	FY3-0030-000		AR	WIRE, CORONA, 0.06MM (20M)	100V
	FY3-0040-000		AR	WIRE, CORONA, 0.06MM (20M)	120/220/240V
2	FB4-4219-000		1	COVER, PROTECTIVE	
3	FB4-4221-000		1	BLOCK, CORONA, REAR	
4	FB4-4222-000		1	BLOCK, CORONA, FRONT	
5	FB4-4223-000		2	COVER, CORONA BLOCK	
6	FB4-4224-000		2	SUPPORT, CORONA WIRE	
7	FB4-5106-000		1	TERMINAL, CORONA WIRE	
8	FS2-2551-000		1	SPRING, TENSION, CORONA WIRE	
9	XA9-0915-000		2	SCREW,P,M3X6	
10	FA3-2128-000		1	DAMPER	
501	XB1-2304-503		1	SCREW,MACH.,TRUSS HEAD,M3X45	

# FIGURE 592

## CLEANING REAR CORONA ASSEMBLY

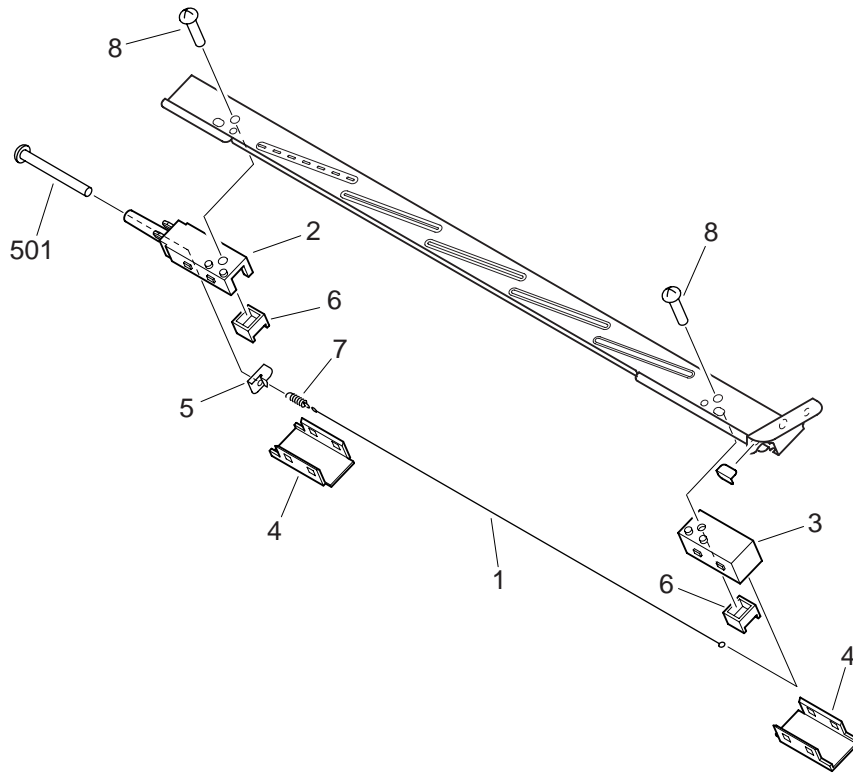
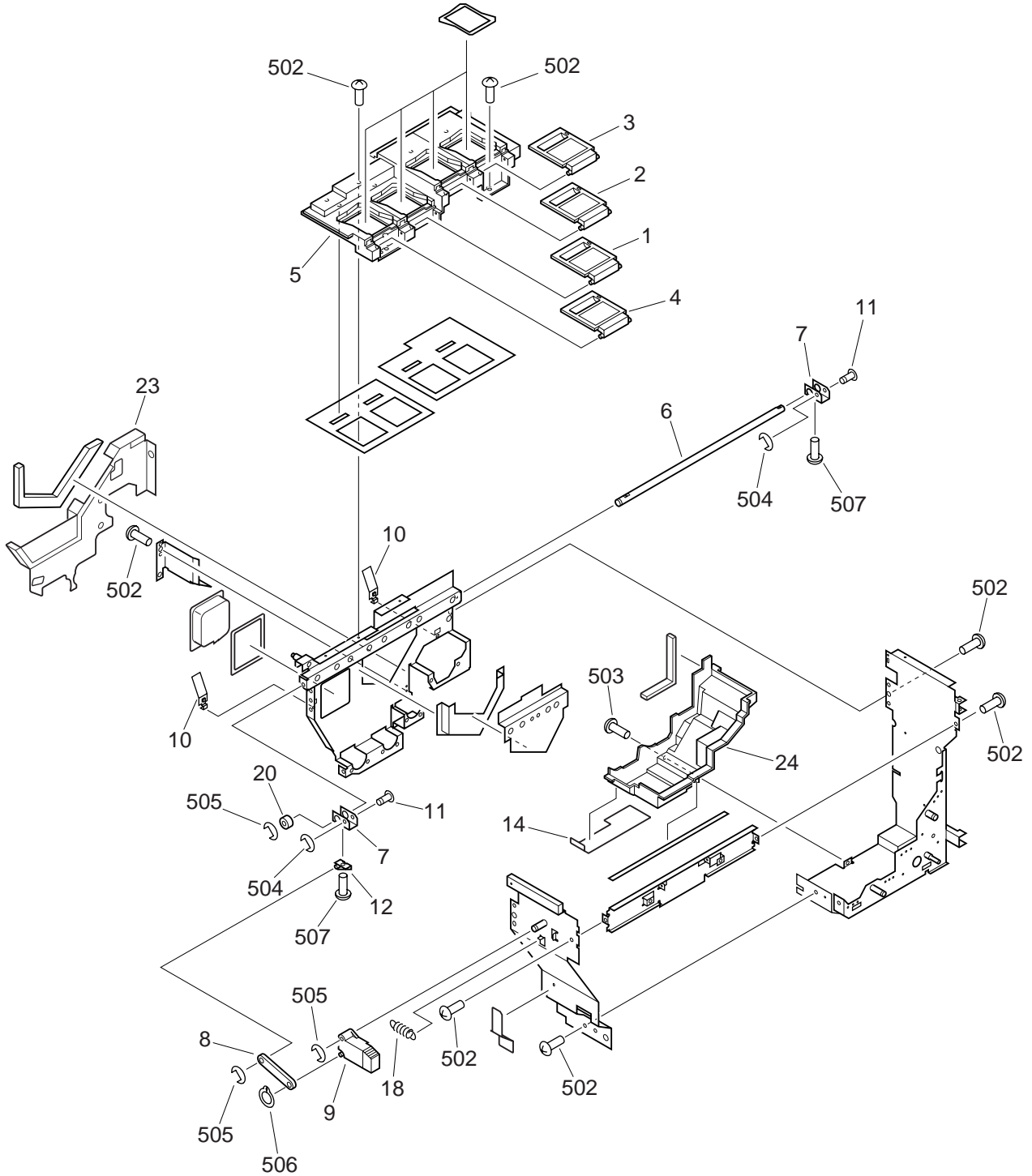


FIGURE & KEY NO.	PART NUMBER	RANK	QTY	DESCRIPTION	SERIAL NUMBER / REMARKS
592 -	FG6-0888-000		1	CLEANING REAR CORONA ASSEMBLY	
1	FY3-0030-000		AR	WIRE, CORONA, 0.06MM (20M)	100V
	FY3-0040-000		AR	WIRE, CORONA, 0.06MM (20M)	120/220/240V
2	FB4-4221-000		1	BLOCK, CORONA, REAR	
3	FB4-4222-000		1	BLOCK, CORONA, FRONT	
4	FB4-4729-000		2	COVER, CLEANING BLOCK, REAR	
5	FB4-5106-000		1	TERMINAL, CORONA WIRE	
6	FB4-6644-000		2	HOLDER, WIRE	
7	FS2-2551-000		1	SPRING, TENSION, CORONA WIRE	
8	XA9-0915-000		2	SCREW,P,M3X6	
501	XB1-2304-503		1	SCREW,MACH.,TRUSS HEAD,M3X45	



# FIGURE 620 HOPPER MOUNT ASSEMBLY (1/2)



NOTE : This assembly includes the assemblies shown in Figure 621 and 622.

# FIGURE 620 HOPPER MOUNT ASSEMBLY (2/2)

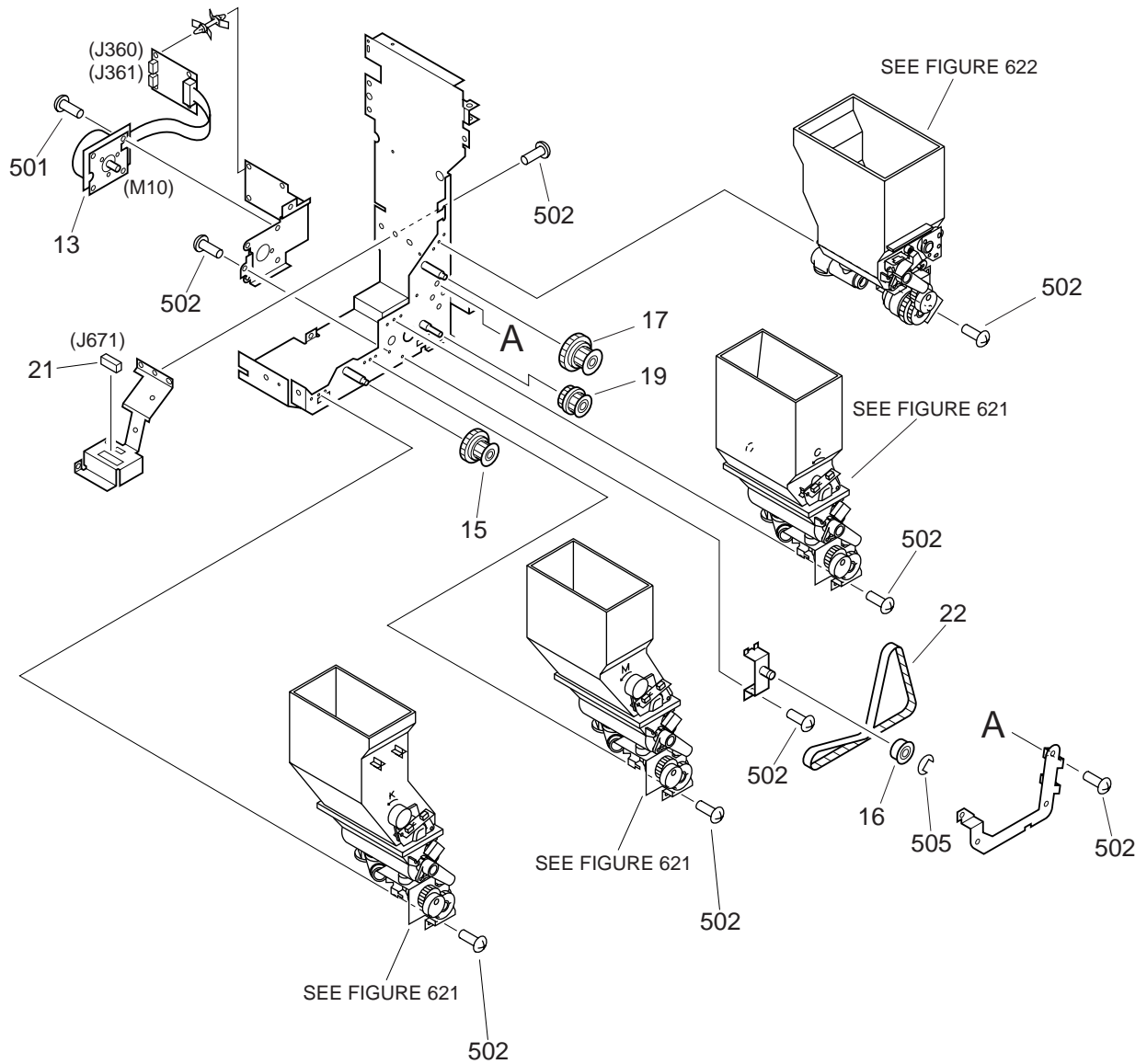
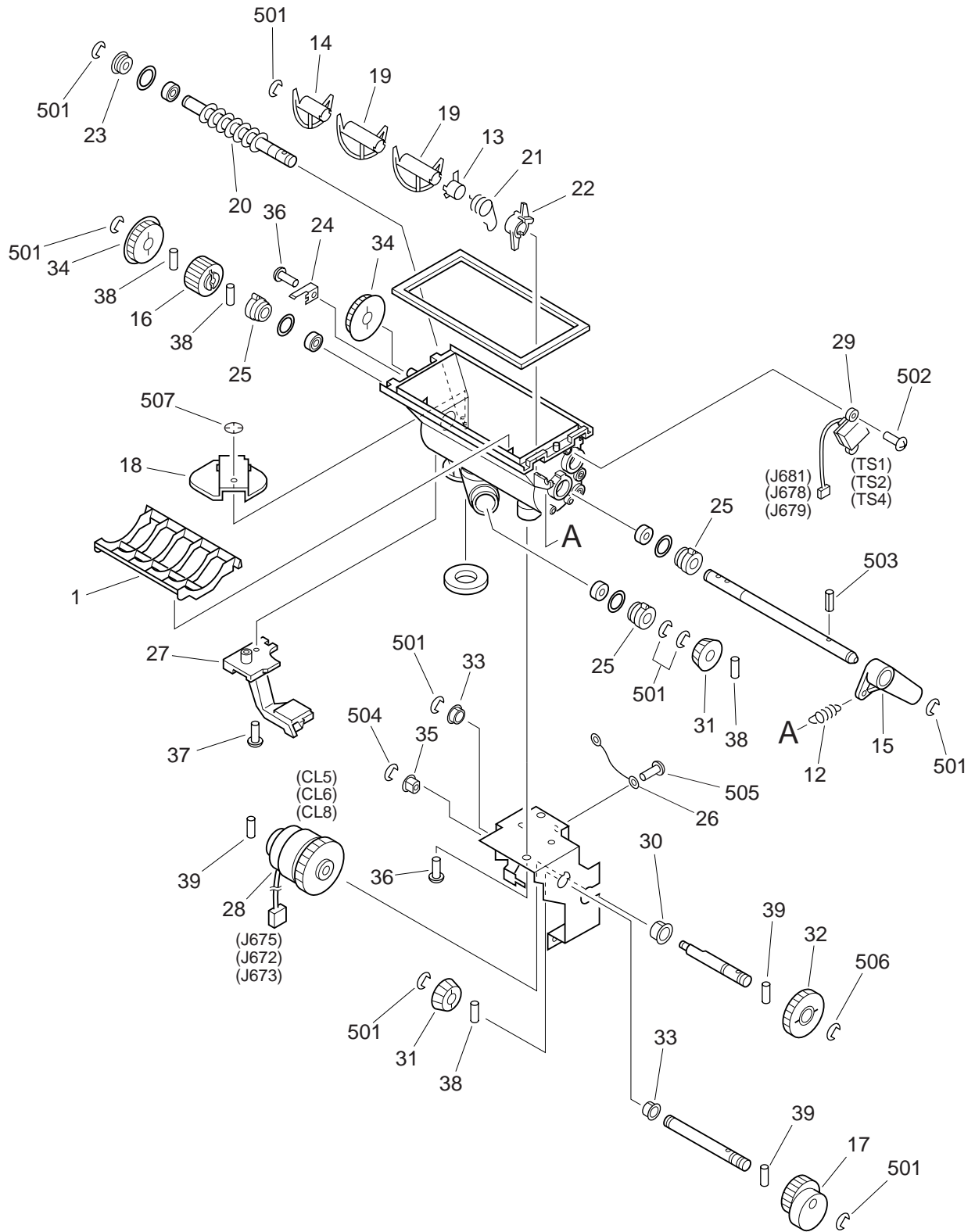


FIGURE & KEY NO.	PART NUMBER	R A N K	Q T Y	DESCRIPTION	SERIAL NUMBER / REMARKS
620 -	FG6-0823-000		1	HOPPER MOUNT ASSEMBLY	SEE NOTE
1	FB2-0712-000		1	PLATE, COVER	MAGENTA
2	FB2-9109-000		1	PLATE, COVER	CYAN
3	FB2-9110-000		1	PLATE, COVER	YELLOW
4	FB2-9111-000		1	PLATE, COVER	BLACK
5	FF5-8305-000		1	COVER, TONER SUPPLY	
6	FB2-0766-000		1	SHAFT, LOCK	
7	FB2-0767-000		2	PLATE, LOCK	
8	FB2-0769-000		1	LINK, RELEASE	
9	FB2-0770-020		1	LEVER, RELEASE	
10	FB2-0776-000		2	SPRING, LEAF	
11	FB2-0777-000		2	PIN	
12	FF5-2125-000		1	SUPPORT, LOCK	
13	FH6-1564-000		1	MOTOR, DC24V	M10 J360,361
14	FB4-5130-000		1	SHEET, 2	
15	FS5-3249-000		1	GEAR, 40T/PULLEY, 25T	
16	FS2-3512-000		1	PULLEY	
17	FS5-1511-000		1	GEAR, 40T/PULLEY, 25T	
18	FS5-2560-000		1	SPRING, TENSION	
19	FS5-3652-000		1	PULLEY, 25T/GEAR, 44T	
20	FS5-6246-000		1	ROLLER	
21	VS1-6319-026		1	CONNECTOR, SNAP TIGHT	J671
22	XF9-0702-000		1	BELT, TIMING	
23	FB4-5129-000		1	SHEET, PARTITION	
24	FF5-8307-000		1	CASE, TONER	
501	XB1-2300-409		4	SCREW, MACH., TRUSS HEAD, M3X6	
502	XB1-2400-609		AR	SCREW, MACH., TRUSS HEAD, M4X6	
503	XB6-7400-609		1	SCREW, TP, M4X6	
504	XD2-1100-322		2	RING, E	
505	XD2-1100-502		4	RING, E	

FIGURE & KEY NO.	PART NUMBER	R A N K	Q T Y	DESCRIPTION	SERIAL NUMBER / REMARKS
620 - 506	XD2-2100-402		1	RING,GRIP	
507	XB1-2300-609		2	SCREW,MACH.,TRUSS HEAD,M3X6	

# FIGURE 621

## HOPPER ASSEMBLY (Bk/M/C) (1/2)

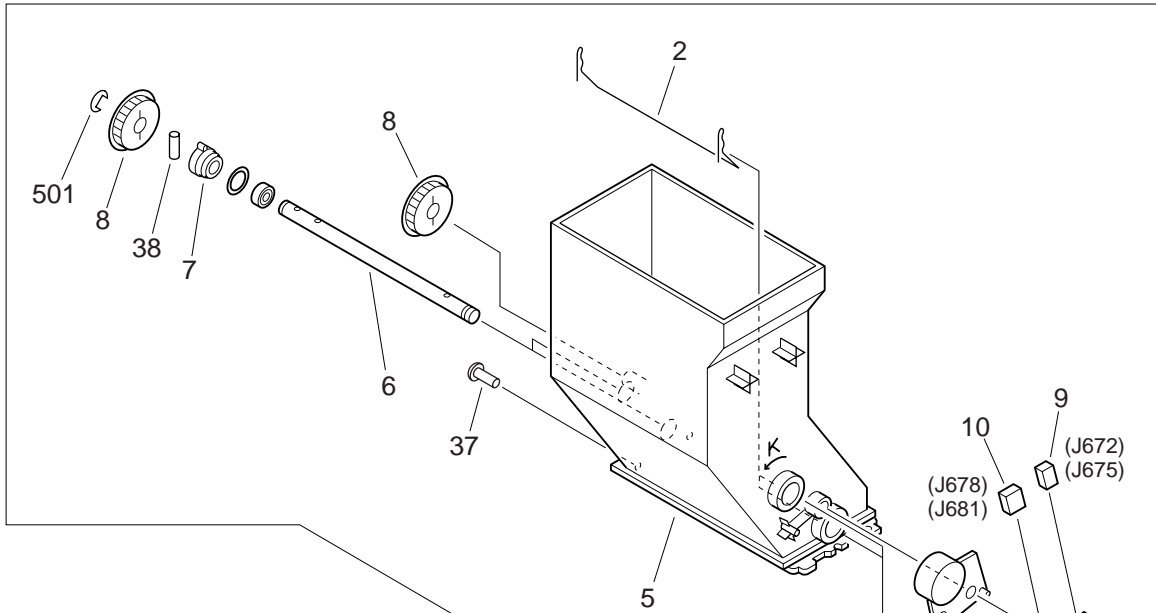


NOTE : This assembly is included in the assembly shown in Figure 620.

# FIGURE 621

## HOPPER ASSEMBLY (Bk/M/C) (2/2)

BLACK/MAGENTA



CYAN

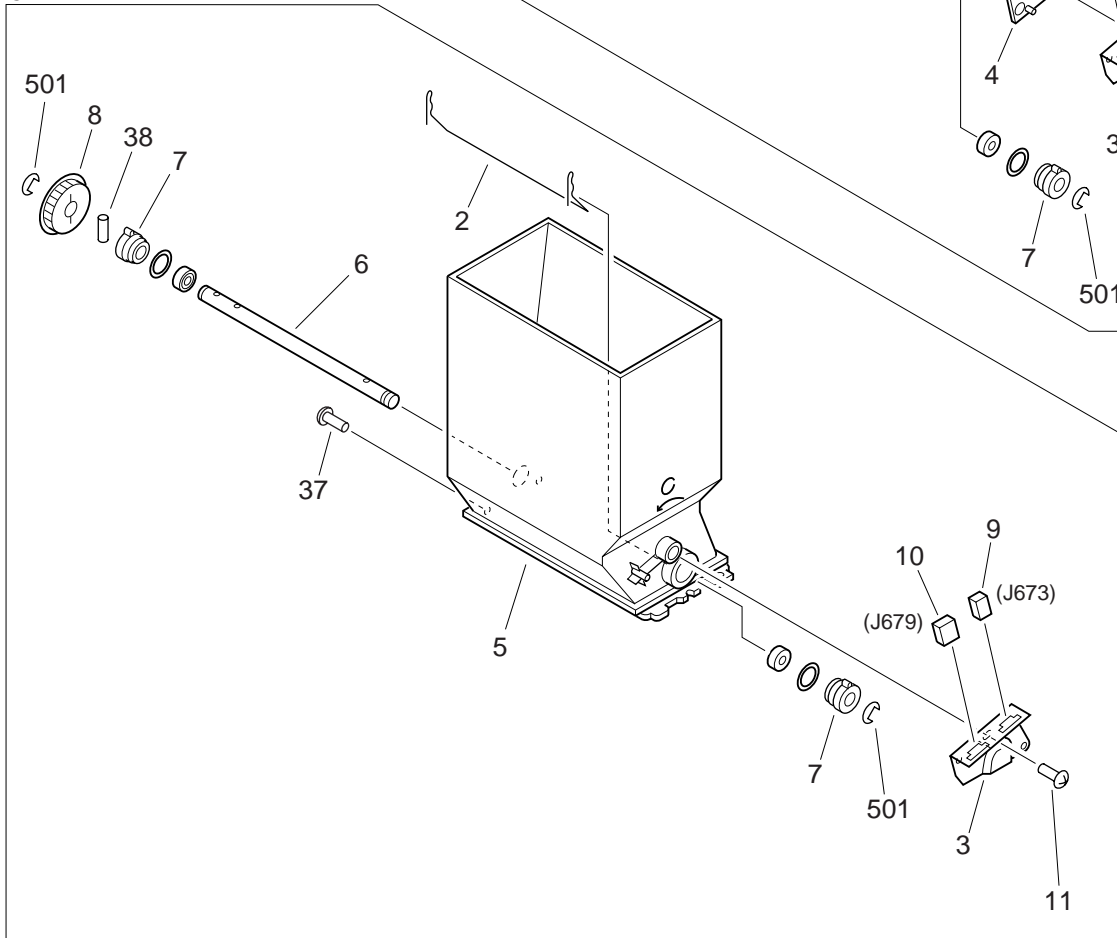


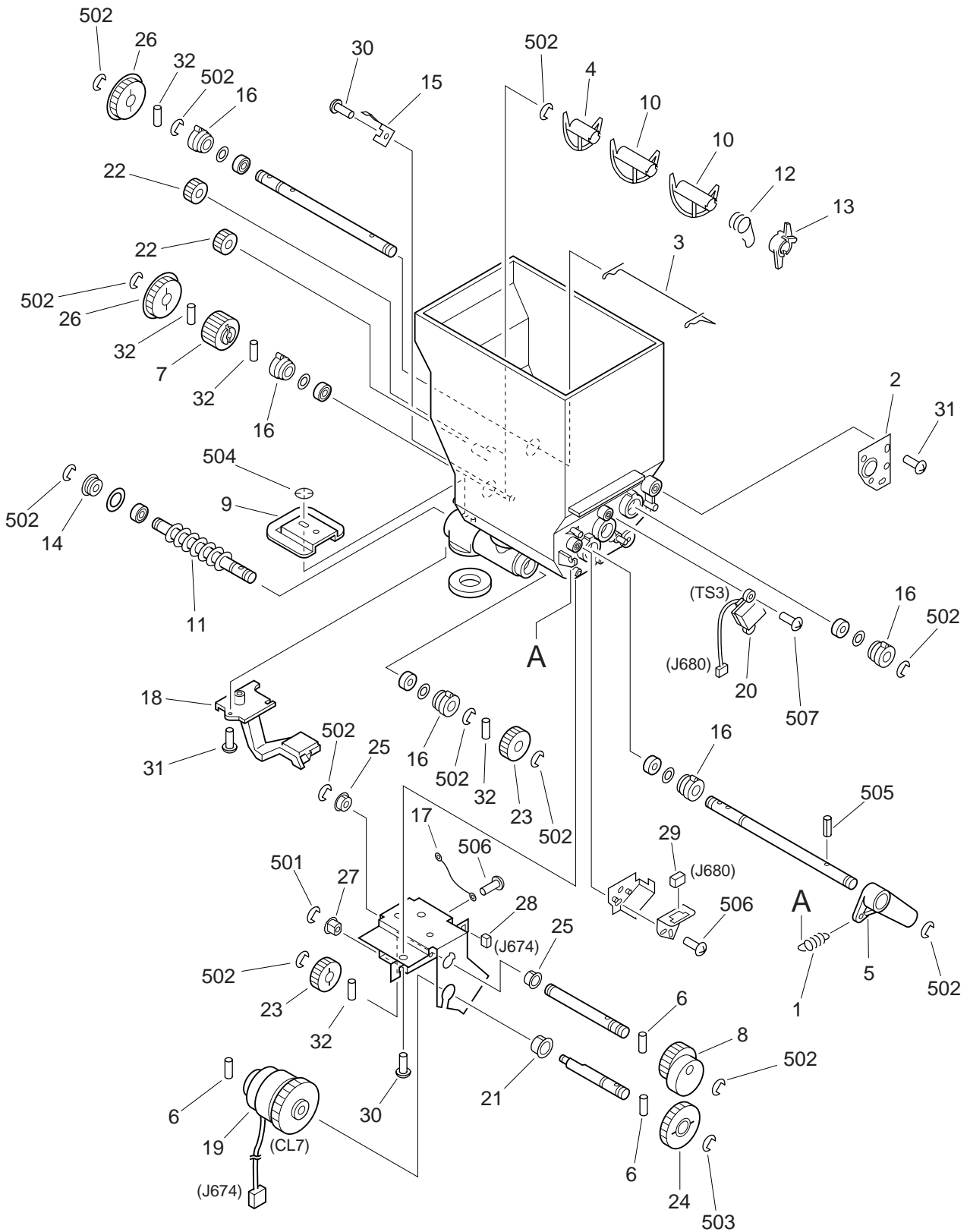
FIGURE & KEY NO.	PART NUMBER	RANK	QTY	DESCRIPTION	SERIAL NUMBER / REMARKS
621 -	FG6-0827-000		1	HOPPER ASSEMBLY	BLACK SEE NOTE
	FG6-0829-000		1	HOPPER ASSEMBLY	MAGENTA SEE NOTE
	FG6-0830-000		1	HOPPER ASSEMBLY	CYAN SEE NOTE
	1 FB2-0723-040		1	GUIDE, TONER SUPPLY	
	2 FB2-0725-000		2	BAR, STIRRING	BLACK/MAGENTA
	FB2-0725-000		1	BAR, STIRRING	CYAN
3	FB2-0726-000		1	PLATE, SUPPORT, PANEL	
4	FB2-0791-000		1	GUIDE, CABLE	BLACK/MAGENTA
5	FB2-8989-000		1	CASE, TONER, UPPER	BLACK
	FB2-8990-000		1	CASE, TONER, UPPER	MAGENTA
	FB2-0722-000		1	CASE, TONER, UPPER	CYAN
6	FB3-1452-000		2	SHAFT, STIRRING, 1	BLACK/MAGENTA
	FB3-1452-000		1	SHAFT, STIRRING, 1	CYAN
7	FF5-4081-000		4	BUSHING	BLACK/MAGENTA
	FF5-4081-000		2	BUSHING	CYAN
8	FS6-0322-000		2	GEAR, 23T	BLACK/MAGENTA
	FS6-0322-000		1	GEAR, 23T	CYAN
9	VS1-5057-002		1	CONNECTOR, SNAP TIGHT	J672,673,675
10	VS1-5057-003		1	CONNECTOR, SNAP TIGHT	J678,679,681
11	XA9-0614-000		1	SCREW,P,M3X8	
12	97-5987-000		1	SPRING, TENSION	
13	FB2-0727-000		1	HOLDER, SENSOR WIPER	
14	FB2-0743-000		1	BLADE, STIRRING, 2	
15	FB2-0749-000		1	ARM, ONE-WAY	
16	FB2-9002-000		1	RATCHET	
17	FB4-4378-000		1	CAM GEAR, 24T	
18	FB4-4386-000		1	COVER, TONER	
19	FB4-4389-000		2	BLADE, STIRRING, 3	
20	FB4-4395-000		1	SCREW, TONER STIRRING FEED	
21	FB4-4396-000		1	SPRING, TORSION	

FIGURE & KEY NO.	PART NUMBER	RANK	QTY	DESCRIPTION	SERIAL NUMBER / REMARKS
621 - 22	FB4-4397-000		1	HOLDER, SENSOR WIPER	
23	FF5-2128-020		1	BUSHING, FEED SCREW	
24	FF5-4060-000		1	SPRING, LEAF	
25	FF5-4081-000		3	BUSHING	
26	FF5-7961-000		1	CABLE, SENSOR GROUNDING	
27	FG5-5970-030		1	HOPPER SHUTTER ASS'Y (M,C,BK)	
28	FH7-5848-000		1	CLUTCH, ELECTROMAGNETIC	CL5,6,8 J675,672,673
29	FH7-7336-000		1	SENSOR, TONER	TS1,2,4 J681,678,679
30	FS1-1449-000		1	BUSHING	
31	FS5-0696-000		2	GEAR, 16T	
32	FS5-0736-000		1	GEAR, 31T	
33	FS5-1372-000		2	BUSHING	
34	FS6-0322-000		2	GEAR, 23T	
35	RS1-1029-000		1	BUSHING	
36	XA9-0596-000		3	SCREW,P,M3X6	MAGENTA
	XA9-0596-000		5	SCREW,P,M3X6	BLACK/CYAN
37	XA9-0614-000		3	SCREW,P,M3X8	
38	XD9-0104-000		6	PIN,DOWEL	BLACK/MAGENTA
	XD9-0104-000		5	PIN,DOWEL	CYAN
39	XD9-0108-000		3	PIN,DOWEL	
501	XD2-1100-502		13	RING,E	BLACK/MAGENTA
	XD2-1100-502		11	RING,E	CYAN
502	XB1-2300-607		2	SCREW,MACH.,TRUSS HEAD,M3X6	
503	XD3-1200-122		1	PIN,SPRING	
504	XD2-1100-322		1	RING,E	
505	XB1-2400-607		1	SCREW,MACH.,TRUSS HEAD,M4X6	
506	XD2-1100-642		1	RING,E	
507	XD2-2300-402		2	RING,TOOTHED LOCK	



# FIGURE 622

## HOPPER ASSEMBLY (Y)



NOTE : This assembly is included in the assembly shown in Figure 620.

FIGURE & KEY NO.	PART NUMBER	RANK	QTY	DESCRIPTION	SERIAL NUMBER / REMARKS
622 -	FG6-0826-000		1	HOPPER ASSEMBLY	YELLOW SEE NOTE
1	97-5987-000		1	SPRING, TENSION	
2	FB2-0728-000		1	SUPPORT, GUIDE, CABLE	
3	FB2-0737-000		1	BAR, STIRRING	
4	FB2-0743-000		1	BLADE, STIRRING, 2	
5	FB2-0749-000		1	ARM, ONE-WAY	
6	XD9-0108-000		3	PIN,DOWEL	
7	FB2-9002-000		1	RATCHET	
8	FB4-4378-000		1	CAM GEAR, 24T	
9	FB4-4387-000		1	COVER, TONER	
10	FB4-4389-000		2	BLADE, STIRRING, 3	
11	FB4-4394-000		1	SCREW, TONER STIRRING FEED	
12	FB4-4396-000		1	SPRING, TORSION	
13	FB4-4397-000		1	HOLDER, SENSOR WIPER	
14	FF5-2128-020		1	BUSHING, FEED SCREW	
15	FF5-4060-000		1	SPRING, LEAF	
16	FF5-4081-000		5	BUSHING	
17	FF5-7961-000		1	CABLE, SENSOR GROUNDING	
18	FG5-5971-030		1	HOPPER SHUTTER ASS'Y (Y)	
19	FH7-5848-000		1	CLUTCH, ELECTROMAGNETIC	CL7 J674
20	FH7-7336-000		1	SENSOR, TONER	TS3 J680
21	FS1-1449-000		1	BUSHING	
22	FS3-0703-000		2	GEAR, 13T	
23	FS5-0714-000		2	GEAR, 20T	
24	FS5-0736-000		1	GEAR, 31T	
25	FS5-1372-000		2	BUSHING	
26	FS6-0322-000		2	GEAR, 23T	
27	RS1-1029-000		1	BUSHING	
28	VS1-5057-002		1	CONNECTOR, SNAP TIGHT	J674
29	VS1-5057-003		1	CONNECTOR, SNAP TIGHT	J680

FIGURE & KEY NO.	PART NUMBER	RANK	QTY	DESCRIPTION	SERIAL NUMBER / REMARKS
622 - 30	XA9-0596-000		3	SCREW,P,M3X6	
31	XA9-0614-000		3	SCREW,P,M3X8	
32	XD9-0104-000		5	PIN,DOWEL	
501	XD2-1100-322		1	RING,E	
502	XD2-1100-502		12	RING,E	
503	XD2-1100-642		1	RING,E	
504	XD2-2300-402		2	RING,TOOTHED LOCK	
505	XD3-1200-122		1	PIN,SPRING	
506	XB1-2400-607		1	SCREW,MACH.,TRUSS HEAD,M4X6	
507	XB1-2300-607		2	SCREW,MACH.,TRUSS HEAD,M3X6	

# FIGURE 640

## DEVELOPING ASSEMBLY (M/C/Y)

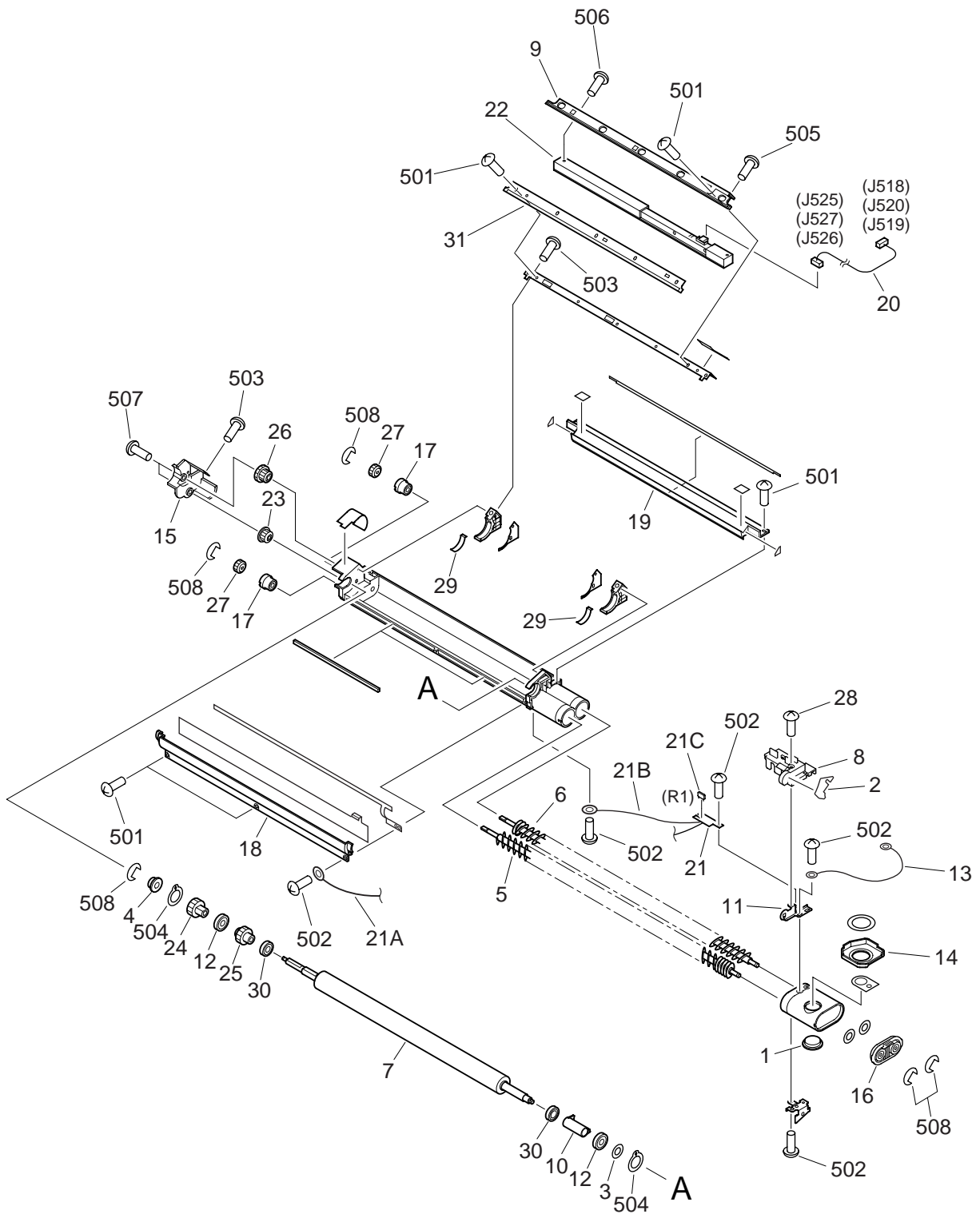


FIGURE & KEY NO.	PART NUMBER	R A N K	Q T Y	DESCRIPTION	SERIAL NUMBER / REMARKS	
640 -	FG6-0781-000		1	DEVELOPING ASSEMBLY	MAGENTA	
	FG6-0782-000		1	DEVELOPING ASSEMBLY	CYAN	
	FG6-0783-000		1	DEVELOPING ASSEMBLY	YELLOW	
	1	FB2-0306-000		1	CAP, DEVELOPING	
	2	FB4-5131-000		1	SHEET, PARTITION, M	MAGENTA
	FB4-5132-000		1	SHEET, PARTITION, C	CYAN	
	FB4-5133-000		1	SHEET, PARTITION, Y	YELLOW	
3	FB2-6285-000		1	SHIM		
4	FB3-7681-000		1	COLLAR, SLEEVE		
5	FB4-4085-000		1	SCREW, TONER FEED, 1		
6	FB4-4086-000		1	SCREW, TONER FEED, 2		
7	FB4-4095-000		1	CYLINDER, DEVELOPING	MAGENTA	
	FB4-4096-000		1	CYLINDER, DEVELOPING	CYAN	
	FB4-4097-000		1	CYLINDER, DEVELOPING	YELLOW	
8	FB4-4109-000		1	COVER, TERMINAL POSITIONING		
9	FB4-4116-000		1	COVER, BLADE	MAGENTA/CYAN	
	FB4-4117-000		1	COVER, BLADE	YELLOW	
10	FB4-4122-000		1	COLLAR, CYLINDER		
11	FB4-4133-000		1	PLATE, TERMINAL POSITIONING		
12	FB4-4138-000		2	ROLLER, SPACER		
13	FF2-9091-000		1	CABLE, MAGNET POSITIONING		
14	FF5-8320-000		1	RECEPTACLE, TONER		
15	FF5-8329-000		1	HOLDER, CONTACT	MAGENTA	
	FF5-8319-000		1	HOLDER, CONTACT	CYAN/YELLOW	
16	FF5-8331-000		1	BUSHING		
17	FF5-8332-000		2	BUSHING		
18	FF5-8333-000		1	COVER, CYLINDER	MAGENTA	
	FF5-8334-000		1	COVER, CYLINDER	CYAN	
	FF5-8335-000		1	COVER, CYLINDER	YELLOW	
19	FF5-8337-000		1	COVER, SIDE	MAGENTA	

FIGURE & KEY NO.	PART NUMBER	RANK	QTY	DESCRIPTION	SERIAL NUMBER / REMARKS
640 - 19	FF5-8338-000		1	COVER, SIDE	CYAN/YELLOW
20	FG5-3128-000		1	CABLE, ATR, M	MAGENTA J518,525
	FG5-3129-000		1	CABLE, ATR, C	CYAN J520,527
	FG5-3130-000		1	CABLE, ATR, Y	YELLOW J519,526
21	FG5-9393-000		1	DEVELOPING UNIT BIAS PCB ASS'Y	
21A	FF2-9781-000		1	CABLE, 2	
21B	FF3-0263-000		1	CABLE, 1	
21C	FH4-9178-000		1	RESISTOR, 30MOHM, 0.13W	R1
22	FG6-2541-000		1	TONER DENSITY SENSOR UNIT	
23	FS5-0659-000		1	GEAR, 16T	
24	FS7-0132-000		1	GEAR, 24T	
25	FS7-0133-000		1	GEAR, 24T	
26	FS7-0134-000		1	GEAR, 16T/24T	
27	FS7-0135-000		2	GEAR, 16T	
28	XA9-0033-000		1	SCREW, M3X5	
29	FB2-0279-000		2	SEAL, MAGNET	
30	XG9-0400-000		2	BEARING, BALL	
31	FB4-4090-000		1	PLATE, BLADE	
501	XB1-2300-402		16	SCREW,MACH.,TRUSS HEAD,M3X4	
502	XB1-2300-409		4	SCREW,MACH.,TRUSS HEAD,M3X4	
503	XB1-2300-602		5	SCREW,MACH.,TRUSS HEAD,M3X6	
504	XD2-2100-802		2	RING,GRIP	
505	XB2-4300-607		1	SCREW,W/WASHER,M3X6	
506	XB4-7300-809		3	SCREW,TAPPING,TRUSS HEAD,M3X8	
507	XB6-7300-409		2	SCREW,TP,M3X4	
508	XD2-1100-322		5	RING,E	

# FIGURE 641

## DEVELOPING ASSEMBLY (Bk)

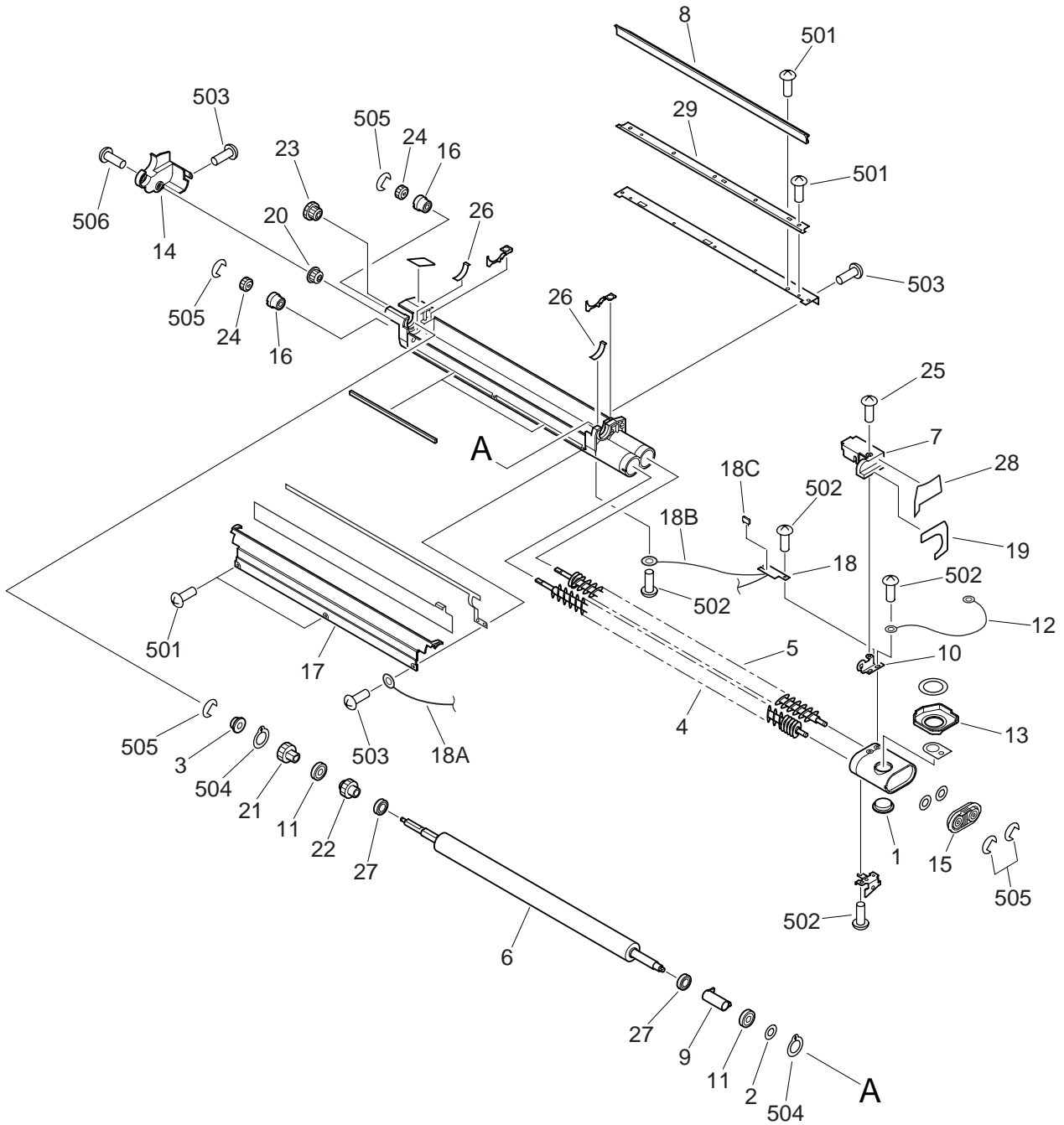


FIGURE & KEY NO.	PART NUMBER	R A N K	Q T Y	DESCRIPTION	SERIAL NUMBER / REMARKS
641 -	FG6-0784-000		1	DEVELOPING ASSEMBLY	BLACK
1	FB2-0306-000		1	CAP, DEVELOPING	
2	FB2-6285-000		1	SHIM	
3	FB3-7681-000		1	COLLAR, SLEEVE	
4	FB4-4085-000		1	SCREW, TONER FEED, 1	
5	FB4-4086-000		1	SCREW, TONER FEED, 2	
6	FB4-4098-000		1	CYLINDER, DEVELOPING	
7	FB4-4110-000		1	COVER, TERMINAL POSITIONING	
8	FB4-4118-000		1	COVER, BLADE	
9	FB4-4122-000		1	COLLAR, CYLINDER	
10	FB4-4134-000		1	PLATE, TERMINAL POSITIONING	
11	FB4-4138-000		2	ROLLER, SPACER	
12	FF2-9092-000		1	CABLE, MAGNET POSITIONING	
13	FF5-8320-000		1	RECEPTACLE, TONER	
14	FF5-8330-000		1	HOLDER, CONTACT	
15	FF5-8331-000		1	BUSHING	
16	FF5-8332-000		2	BUSHING	
17	FF5-8336-000		1	COVER, CYLINDER	
18	FG5-3091-000		1	DEVELOPING UNIT BIAS PCB ASS'Y	
18A	FF2-9780-000		1	CABLE, 1	
18B	FF2-9781-000		1	CABLE, 2	
18C	FH4-9178-000		1	RESISTOR, 30MOHM, 0.13W	R1
19	FB4-5234-000		1	SHEET, PARTITION, BLACK	
20	FS5-0659-000		1	GEAR, 16T	
21	FS7-0132-000		1	GEAR, 24T	
22	FS7-0133-000		1	GEAR, 24T	
23	FS7-0134-000		1	GEAR, 16T/24T	
24	FS7-0135-000		2	GEAR, 16T	
25	XA9-0033-000		1	SCREW, M3X5	
26	FB2-0279-000		2	SEAL, MAGNET	



FIGURE & KEY NO.	PART NUMBER	R A N K	Q T Y	DESCRIPTION	SERIAL NUMBER / REMARKS
641 - 27	XG9-0400-000		2	BEARING, BALL	
28	FB4-5134-000		1	SHEET, PARTITION, K	
29	FB4-4090-000		1	PLATE, BLADE	
501	XB1-2300-402		12	SCREW,MACH.,TRUSS HEAD,M3X4	
502	XB1-2300-409		4	SCREW,MACH.,TRUSS HEAD,M3X4	
503	XB1-2300-602		5	SCREW,MACH.,TRUSS HEAD,M3X6	
504	XD2-2100-802		2	RING,GRIP	
505	XD2-1100-322		5	RING,E	
506	XB6-7300-409		2	SCREW,TP,M3X4	

# FIGURE 710

## DRUM CLEANING ASSEMBLY

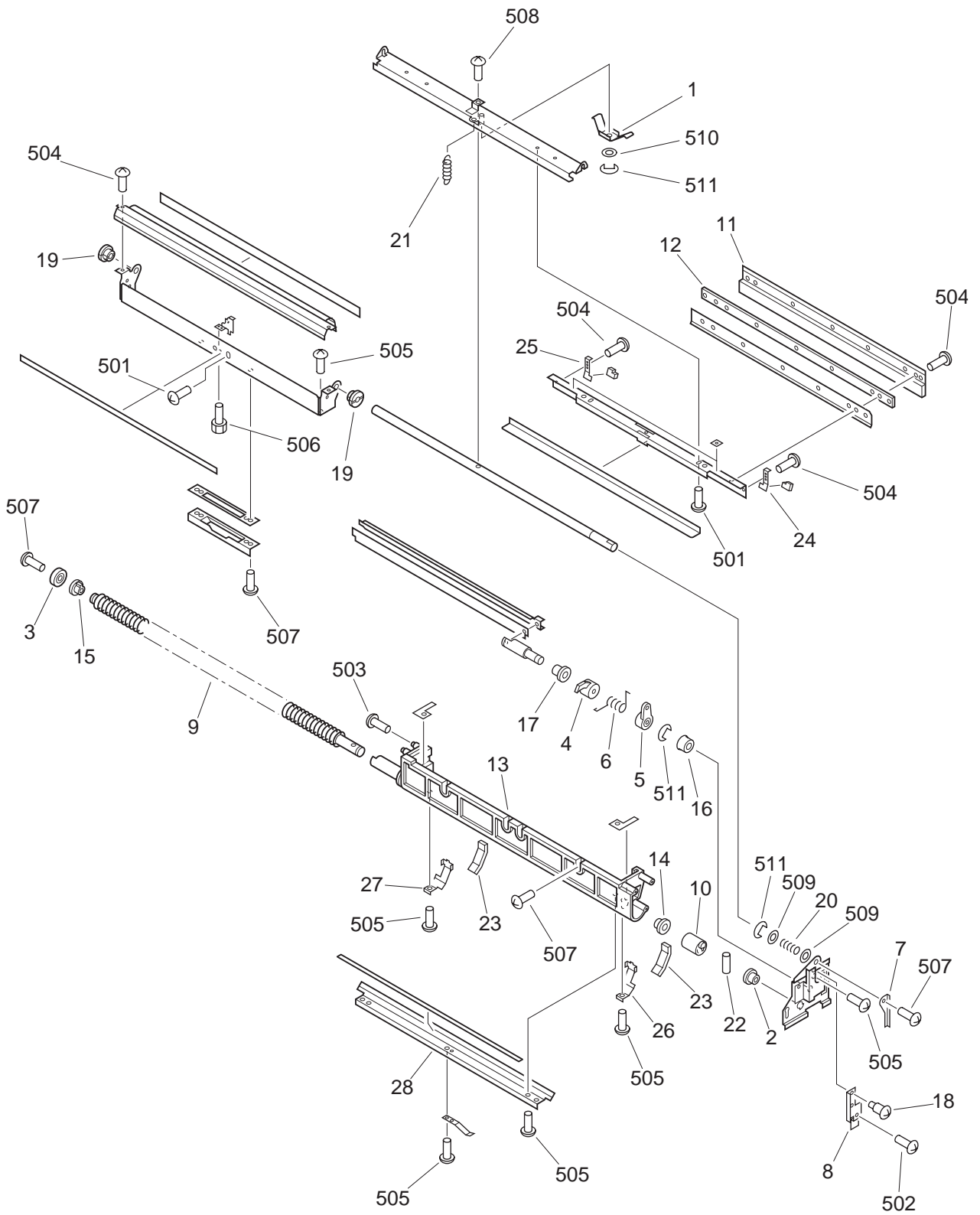


FIGURE & KEY NO.	PART NUMBER	R A N K	Q T Y	DESCRIPTION	SERIAL NUMBER / REMARKS
710 -	FG6-0891-000		1	DRUM CLEANING ASSEMBLY	
1	FA5-1523-000		1	SPRING, LEAF	
2	FA9-2112-000		1	BUSHING	
3	FB2-0375-000		1	COUPLING	
4	FB2-6341-000		1	ARM, ONE-WAY	
5	FB2-6342-000		1	LOCK, ONE-WAY	
6	FB2-6343-000		1	SPRING, TORSION	
7	FB2-8714-020		1	PLATE, LEVER, 1	
8	FB2-8715-000		1	PLATE, LEVER, 2	
9	FB4-4670-000		1	FEED SCREW, WASTE TONER	
10	FB4-4671-000		1	CAM, FEED SCREW	
11	FB4-4677-000		1	BLADE, CLEANING	
12	FB4-4679-000		1	SPACER, CLEANING BLADE	
13	FF5-2031-000		1	HOUSING, CLEANING ASSEMBLY	
14	FF5-2043-000		1	BUSHING	
15	FF5-2131-000		1	BUSHING	
16	FS1-1213-000		1	BUSHING	
17	FS1-1449-000		1	BUSHING	
18	FS1-9010-000		1	SCREW, STEPPED, M3X2.2	
19	FS5-1377-000		2	BUSHING	
20	FS5-2577-000		1	SPRING, COMPRESSION	
21	FS6-2866-000		1	SPRING, TENSION	
22	XD9-0103-000		1	PIN, DOWEL	
23	FB2-0368-000		2	SHEET, FELT	
24	FF5-8392-000		1	PLATE, SUPPORT, FRONT	
25	FF5-8393-000		1	PLATE, SUPPORT, REAR	
26	FF5-2246-000		1	SUPPORT, FELT, FRONT	
27	FF5-2247-000		1	SUPPORT, FELT, REAR	
28	FF5-3993-000		1	SWEEPER STRIP PLATE ASSEMBLY	
501	XB1-2300-609		3	SCREW, MACH., TRUSS HEAD, M3X6	

FIGURE & KEY NO.	PART NUMBER	R A N K	Q T Y	DESCRIPTION	SERIAL NUMBER / REMARKS
710 - 502	XB1-2301-409		1	SCREW,MACH.,TRUSS HEAD,M3X14	
503	XB1-2301-609		1	SCREW,MACH.,TRUSS HEAD,M3X16	
504	XB1-2400-609		9	SCREW,MACH.,TRUSS HEAD,M4X6	
505	XB4-7300-809		10	SCREW,TAPPING,TRUSS HEAD,M3X8	
506	XB6-2400-809		1	SETSCREW,M4X8	
507	XB6-7300-609		8	SCREW,TP,M3X6	
508	XB6-7301-009		1	SCREW,TP,M3X10	
509	XD1-1106-223		2	SHIM	
510	XD1-1106-723		1	SHIM	
511	XD2-1100-502		3	RING,E	

# FIGURE 770 WASTE TONER ASSEMBLY

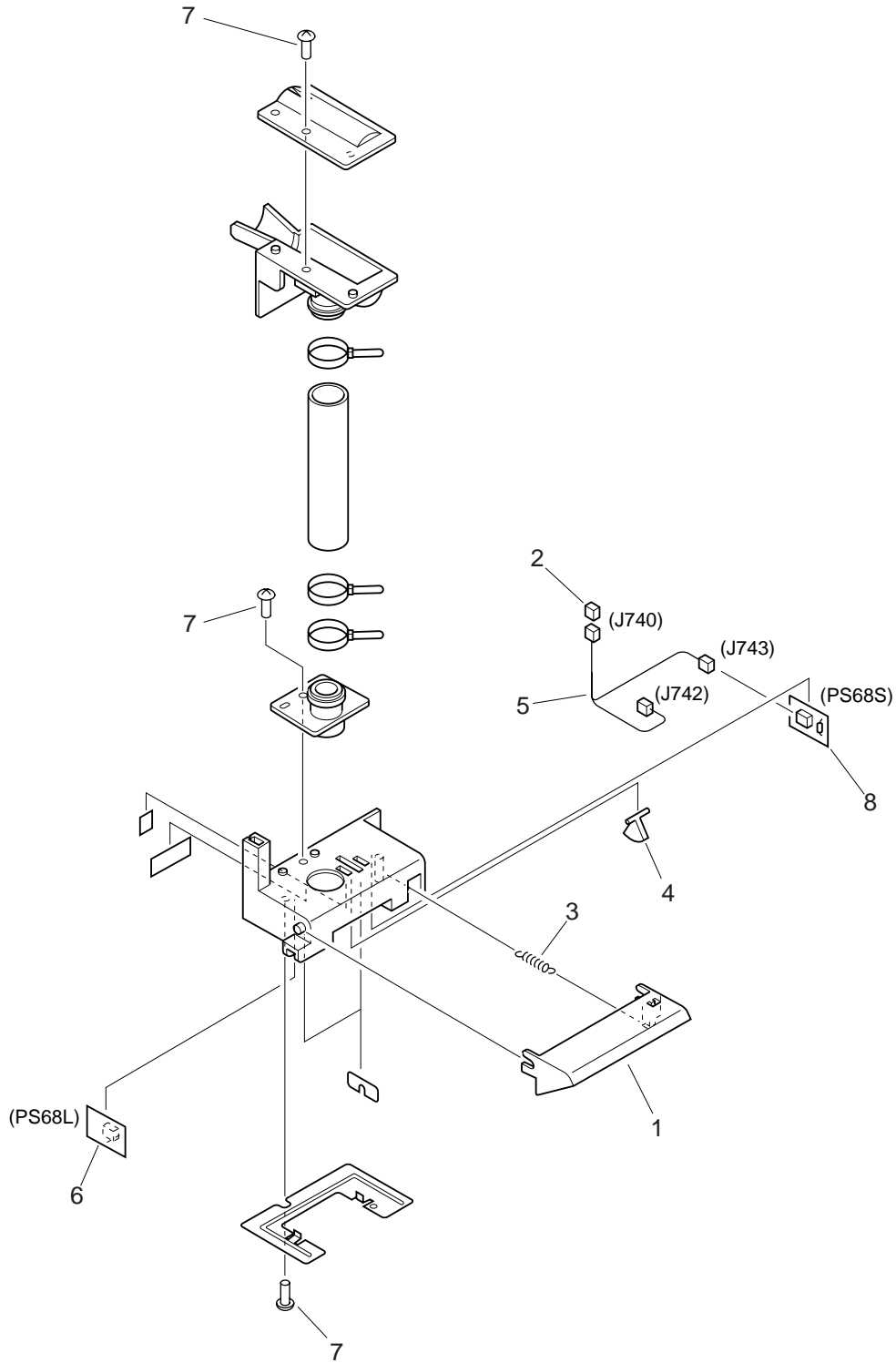
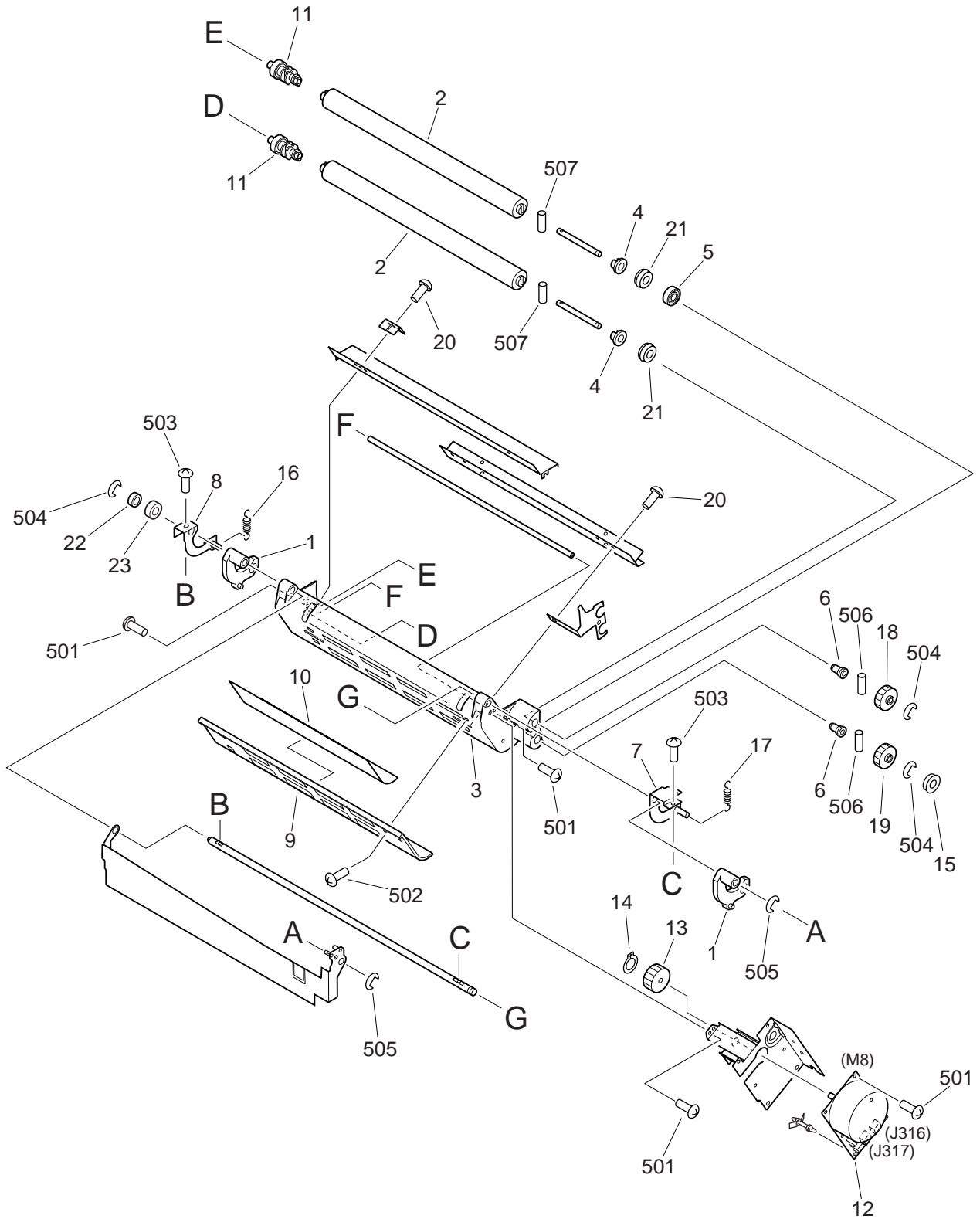


FIGURE & KEY NO.	PART NUMBER	R A N K	Q T Y	DESCRIPTION	SERIAL NUMBER / REMARKS
770 -	FG5-2612-030		1	WASTE TONER ASSEMBLY	
1	FB2-0467-020		1	COVER, MOVABLE	
2	VS1-5057-003		1	CONNECTOR, SNAP TIGHT	J740
3	FS3-2433-000		1	SPRING, TENSION	
4	FB2-0470-000		1	PLATE, BLANKING	
5	FG5-3117-000		1	CABLE, WASTE TONER	J740,742,743
6	FG2-0153-000		1	WASTE TONER SENSOR ASSEMBLY, 2	PS68L
7	FC1-6854-000		4	SCREW, M4X8	
8	FG2-0152-000		1	WASTE TONER SENSOR ASSEMBLY, 1	PS68S

# FIGURE 780

## TRANSFER CLEANING ASSEMBLY



NOTE : This assembly is included in the assembly shown in Figure 330.

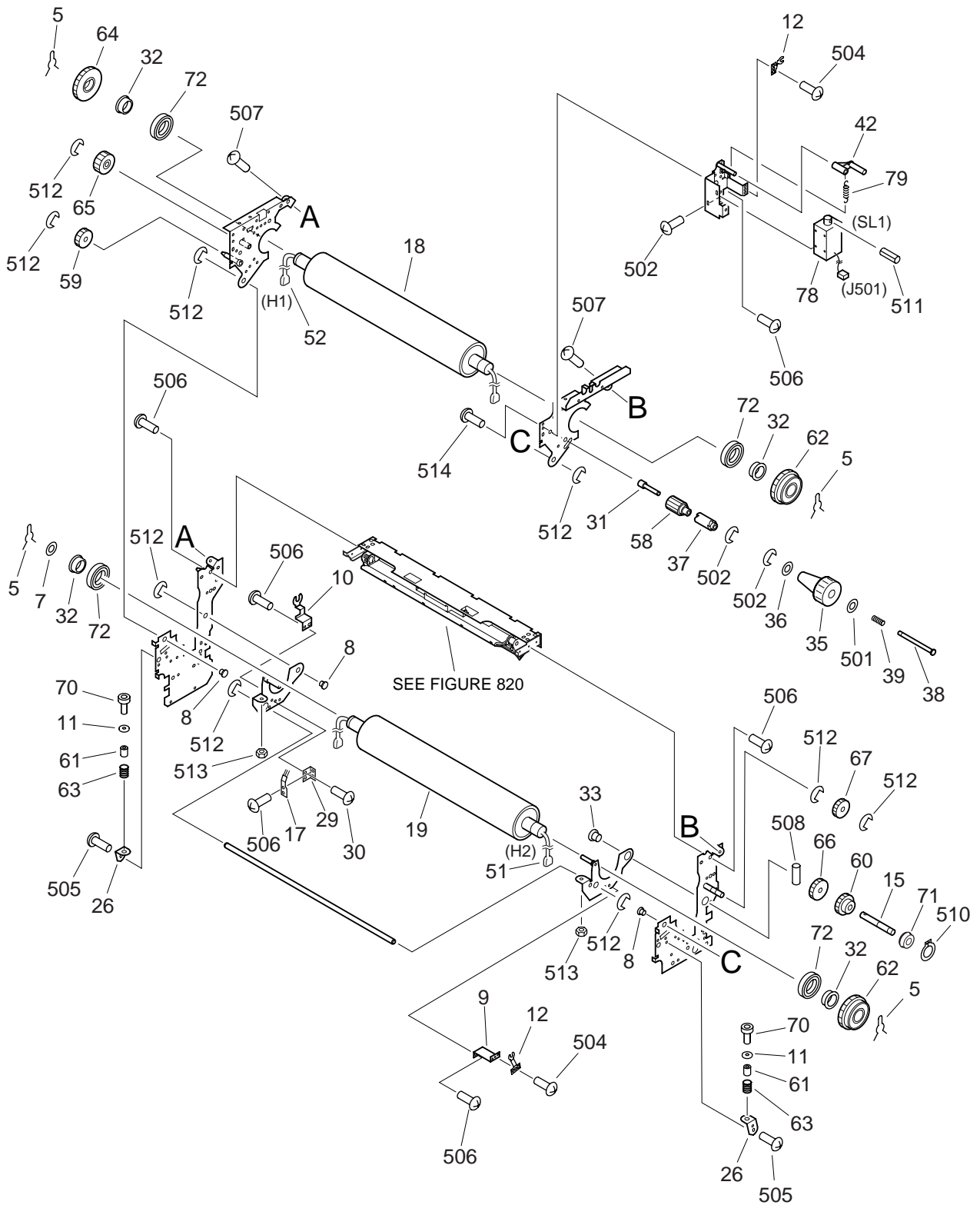
FIGURE & KEY NO.	PART NUMBER	R A N K	Q T Y	DESCRIPTION	SERIAL NUMBER / REMARKS
780 -	FG6-0800-000		1	TRANSFER CLEANING ASSEMBLY	SEE NOTE
1	FB2-0656-000		2	ARM, LIFTING	
2	FB4-4953-000		2	BRUSH, CLEANING	
3	FB4-4954-000		1	MOUNT, TRANSFER CLEANING	
4	FB4-4963-000		2	HOLDER, FRONT	
5	FB4-4966-000		1	ROLLER	
6	FB4-4969-000		2	BUSHING	
7	FF5-2062-000		1	LEVER	
8	FF5-2064-000		1	LEVER, CLEANING	
9	FF5-8430-000		1	MOUNT, FILTER	
10	FB4-4959-000		1	FILTER, AIR	
11	FF5-8433-000		2	SHAFT, HOLD	
12	FH6-1562-000		1	MOTOR, DC	M8 J316,317
13	FS7-0150-000		1	GEAR, 26T	
14	XD9-0061-000		1	RING,C	
15	FS1-1213-000		1	BUSHING	
16	FS5-2568-000		1	SPRING, TENSION	
17	FS6-2162-000		1	SPRING, TENSION	
18	FS7-0148-000		1	GEAR, 24T	
19	FS7-0149-000		1	GEAR, 24T	
20	XA9-0605-000		4	SCREW,M4X8	
21	XG9-0321-000		2	BEARING	
22	XG9-0362-000		1	BUSHING, CONDUCTIVE	
23	XZ1-1600-805		1	SPACER	
501	XB1-2300-609		6	SCREW,MACH.,TRUSS HEAD,M3X6	
502	XB1-2400-609		3	SCREW,MACH.,TRUSS HEAD,M4X6	
503	XB5-6401-009		2	SCREW,CT,M4X10	
504	XD2-1100-502		3	RING,E	
505	XD2-1100-642		2	RING,E	
506	XD9-0108-000		2	PIN,DOWEL	



FIGURE & KEY NO.	PART NUMBER	R A N K	Q T Y	DESCRIPTION	SERIAL NUMBER / REMARKS
780 - 507	XD3-2300-102		2	PIN,DOWEL	

# FIGURE 810

## FIXING ASSEMBLY (1/3)



NOTE : This assembly includes the assemblies shown in Figure 355, 830 and 831.

# FIGURE 810

## FIXING ASSEMBLY (2/3)

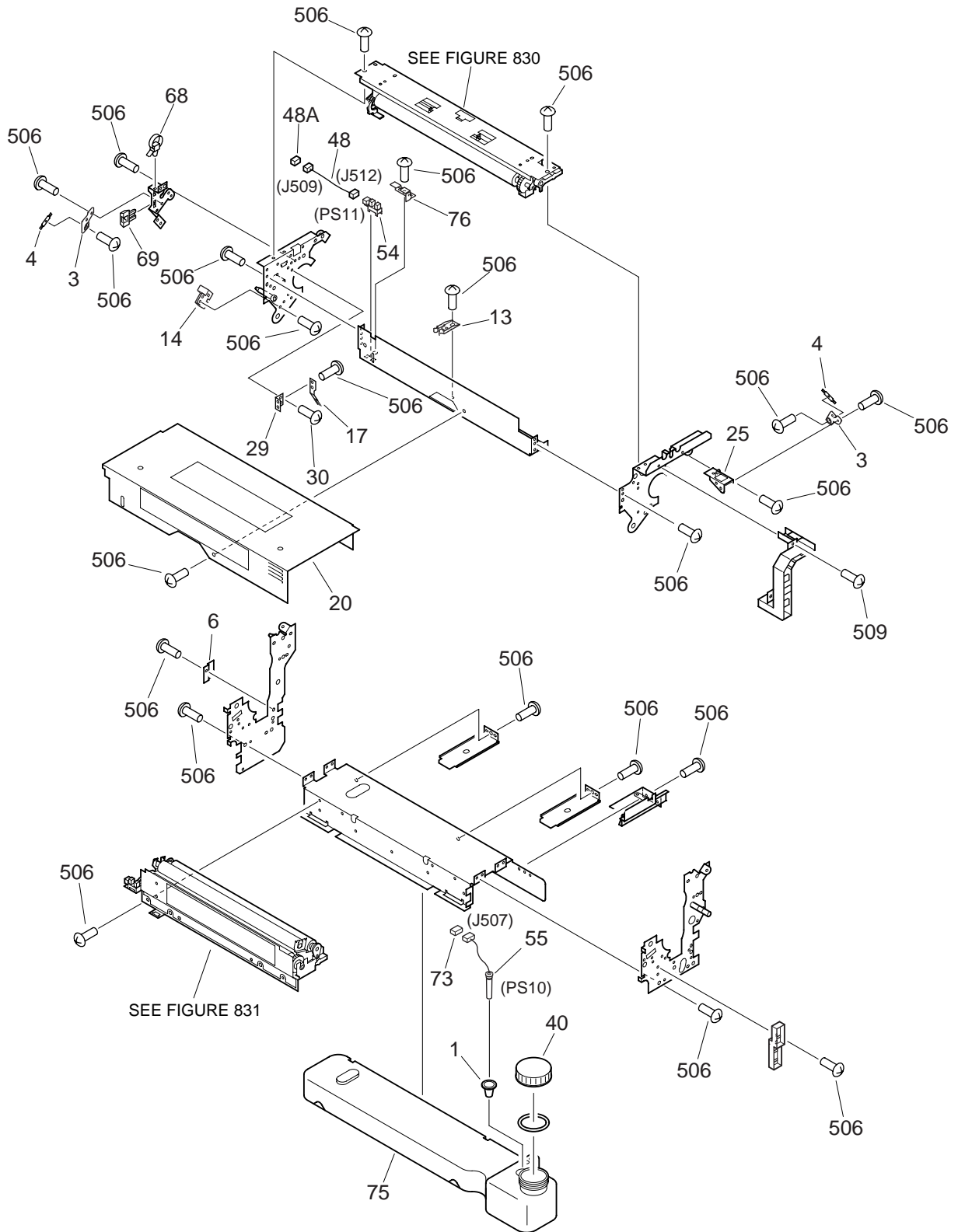




FIGURE & KEY NO.	PART NUMBER	R A N K	Q T Y	DESCRIPTION	SERIAL NUMBER / REMARKS
810 -	FG6-0851-000		1	FIXING ASSEMBLY	SEE NOTE 100V
	FG6-1012-000		1	FIXING ASSEMBLY	SEE NOTE 120V
	FG6-1013-000		1	FIXING ASSEMBLY	SEE NOTE 220/240V
1	FB4-4552-000		1	MOUNT, SENSOR	
2	FH7-5446-000		1	SOLENOID, DC	SL2 J502
3	FA5-0966-000		4	MOUNT, SPRING	
4	FA5-8805-000		2	TERMINAL, HEATER	
5	FA6-0216-020		4	PIN, RETAINING	
6	FA6-2284-000		1	PLATE, PROTECT	
7	FA9-2643-000		1	COLLAR	
8	FB2-1105-000		3	SPINDLE	
9	FB2-1122-000		1	MOUNT, HEATER, LOWER, FRONT	
10	FB2-1123-000		1	MOUNT, HEATER, LOWER, REAR	
11	FB2-1125-000		2	WASHER	
12	FB2-1186-000		2	HOLDER, HEATER	
13	FB2-1374-000		1	HOLDER, CATCH	
14	FB2-1376-020		1	GUIDE, CABLE	
15	FB2-3452-000		1	SHAFT, ONE-WAY	
16	FB2-4460-000		2	TERMINAL, HEATER	
17	FB3-7543-000		2	PLATE, STATIC CHARGE ELI.	
18	FB4-4484-000		1	ROLLER, FIXING	
19	FB4-4486-000		1	ROLLER, PRESSURE	
20	FB4-4488-000		1	COVER, INSULATION	
21	FB4-4500-000		1	GUIDE, INLET	
22	FB4-4501-000		1	PAN, OIL	
23	FB4-4502-000		1	PIPE, OIL	
24	FB4-4509-000		2	PLATE, THERMISTOR HOLDING	
25	FB4-4514-000		1	PLATE, TERMINAL MOUNTING	
26	FB4-4517-000		2	PLATE, PRESSURE	
27	FB4-4518-000		1	TUBE, 1	

FIGURE & KEY NO.	PART NUMBER	RANK	QTY	DESCRIPTION	SERIAL NUMBER / REMARKS
810 - 28	FB4-4519-000		1	TUBE, 2	
29	FB4-5198-000		2	PLATE, SUPPORT	
30	FE6-3072-000		1	SCREW,TP,M4X8	
31	FB4-6637-000		1	PIN, KNOB	
32	FB4-7807-000		4	BUSHING	
33	FF2-2853-000		1	COLLAR	
34	FF5-2114-000		2	PLATE, HINGE	
35	FB1-7215-000		1	KNOB, FIXING	
36	FB1-8512-000		1	SHIM	
37	FB2-4461-020		1	JOINT	
38	FS5-9483-000		1	PIN, GRIP	
39	FS6-2389-000		1	SPRING, COMPRESSION	
40	FB2-1158-030		1	CAP	
41	FG6-0859-000		1	CABLE, FIXING	J18,500
42	FB4-4554-000		1	LEVER, SOLENOID, 1	
43	FB4-4556-000		1	LEVER, SOLENOID, 2	
44	FB2-7232-000		4	PLATE, TERMINAL	
45	FB4-4515-000		4	TERMINAL, THERMISTOR	
46	FB4-4516-000		2	BLOCK, THERMISTOR	
47	FH7-6284-000		2	THERMOSTAT UNIT	TP2,3
48	FG6-2453-000		1	CABLE, CLEANING BELT CONNECT	J509,512
48A	VS1-5057-003		1	CONNECTOR, SNAP TIGHT	J509
49	FG6-2454-000		1	CABLE, HEATER CONNECT, UPPER	
50	FG6-2455-000		1	CABLE, HEATER CONNECT, LOWER	
51	FH7-4611-000		1	HALOGEN HEATER	100V H2
	FH7-4612-000		1	HALOGEN HEATER	120V H2
	FH7-4613-000		1	HALOGEN HEATER	220/240V H2
52	FH7-4617-000		1	HALOGEN HEATER	100V H1
	FH7-4618-000		1	HALOGEN HEATER	120V H1
	FH7-4619-000		1	HALOGEN HEATER	220/240V H1

FIGURE & KEY NO.	PART NUMBER	R A N K	Q T Y	DESCRIPTION	SERIAL NUMBER / REMARKS
810 - 53	FH7-5847-000		1	PUMP, OIL	
54	FH7-7394-000		1	PHOTO-INTERRUPTER	PS11 J512
55	FH7-7466-000		1	OPTICAL SENSOR UNIT	PS10 J507
56	FH7-7467-000		2	MAIN THERMISTOR ASSEMBLY	THM1,2 J503,506
57	FH7-7468-000		2	SUB THERMISTOR ASSEMBLY	THM3,4 J504,505
58	FS5-0684-000		1	GRIP	
59	FS5-0703-000		1	GEAR, 28T	
60	FS5-0725-000		1	GEAR, 32T	
61	FA4-9133-000		2	COLLAR, PRESSURE	
62	FS6-0625-000		2	GEAR, 54T	
63	FS6-2870-000		2	SPRING, COMPRESSION	
64	FS7-0155-000		1	GEAR, 54T	
65	FS7-0160-000		1	GEAR, 32T	
66	FS5-0724-000		1	GEAR, 32T	
67	FS7-0162-000		1	GEAR, 28T	
68	WT2-5169-000		7	CLAMP, CABLE	
69	WT2-5326-000		2	SUPPORT, CLIP	
70	XA9-0113-000		2	BOLT, HEX SOCKET, M5X40	
71	XG9-0250-000		1	BEARING, BALL	
72	XG9-0399-000		4	BEARING, BALL	
73	VS1-5057-003		1	CONNECTOR, SNAP TIGHT	J507
74	FB4-5148-000		1	FILTER, OIL	
75	FB4-4551-000		1	TANK, OIL RECOVERY	
76	FB4-5250-000		1	COVER, SENSOR	
77	FB4-5251-000		1	TUBE, 3	
78	FH7-5446-000		1	SOLENOID, DC	SL1 J501
79	FS6-2883-000		1	SPRING, TENSION	
501	XD1-1106-235		1	SHIM	
502	XD2-1100-502		2	RING,E	
503	XB2-4300-605		13	SCREW,W/WASHER,M3X6	

FIGURE & KEY NO.	PART NUMBER	RANK	QTY	DESCRIPTION	SERIAL NUMBER / REMARKS
810 - 504	XB1-2300-609		7	SCREW,MACH.,TRUSS HEAD,M3X6	
505	XB1-2400-505		4	SCREW,MACH.,TRUSS HEAD,M4X5	
506	XB1-2400-609		48	SCREW,MACH.,TRUSS HEAD,M4X6	
507	XB1-2401-209		2	SCREW,MACH.,TRUSS HEAD,M4X12	
508	XD3-2200-202		1	PIN,DOWEL	
509	XB2-4400-805		7	SCREW,W/WASHER,M4X8	
510	XD2-3100-142		1	RING,C,EXTERNAL	
511	XD3-1300-102		2	PIN,SPRING	
512	XD2-1100-642		9	RING,E	
513	XB7-2100-509		2	NUT,HEX,M5	
514	XB6-7400-609		1	SCREW,TP,M4X6	



# FIGURE 820

## FIXING OIL APPLY ASSEMBLY

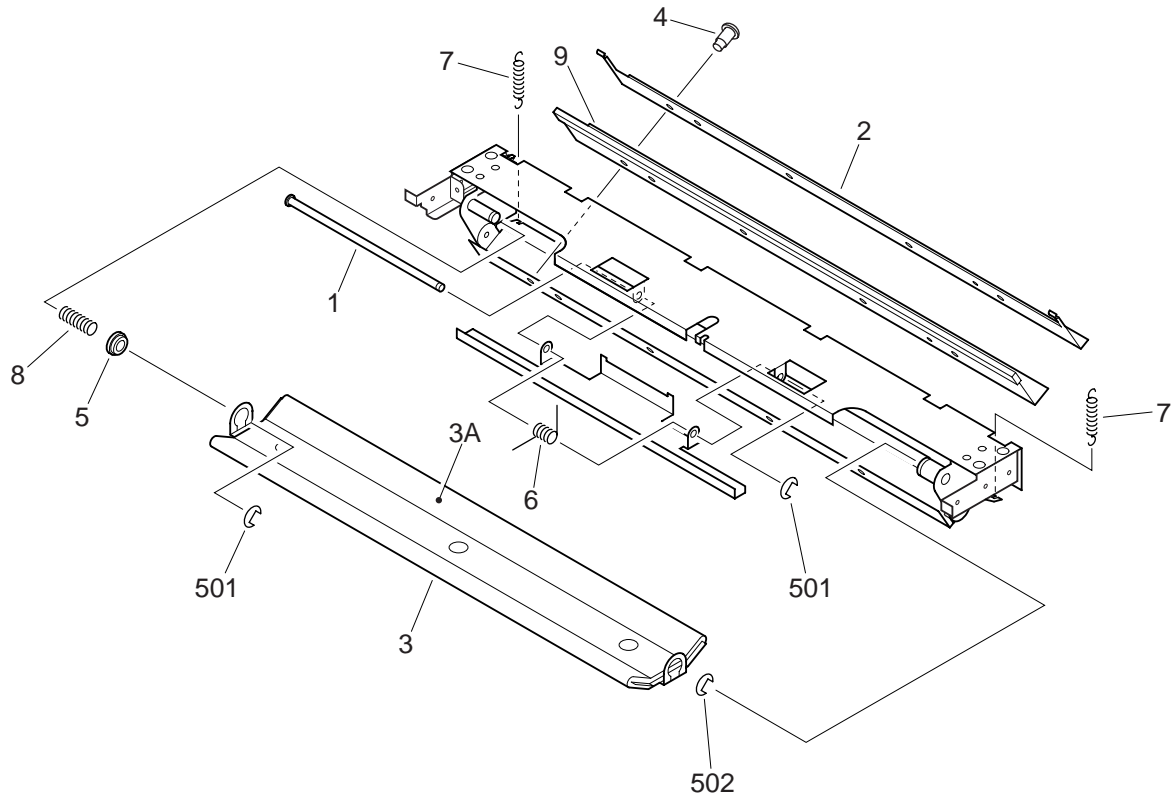
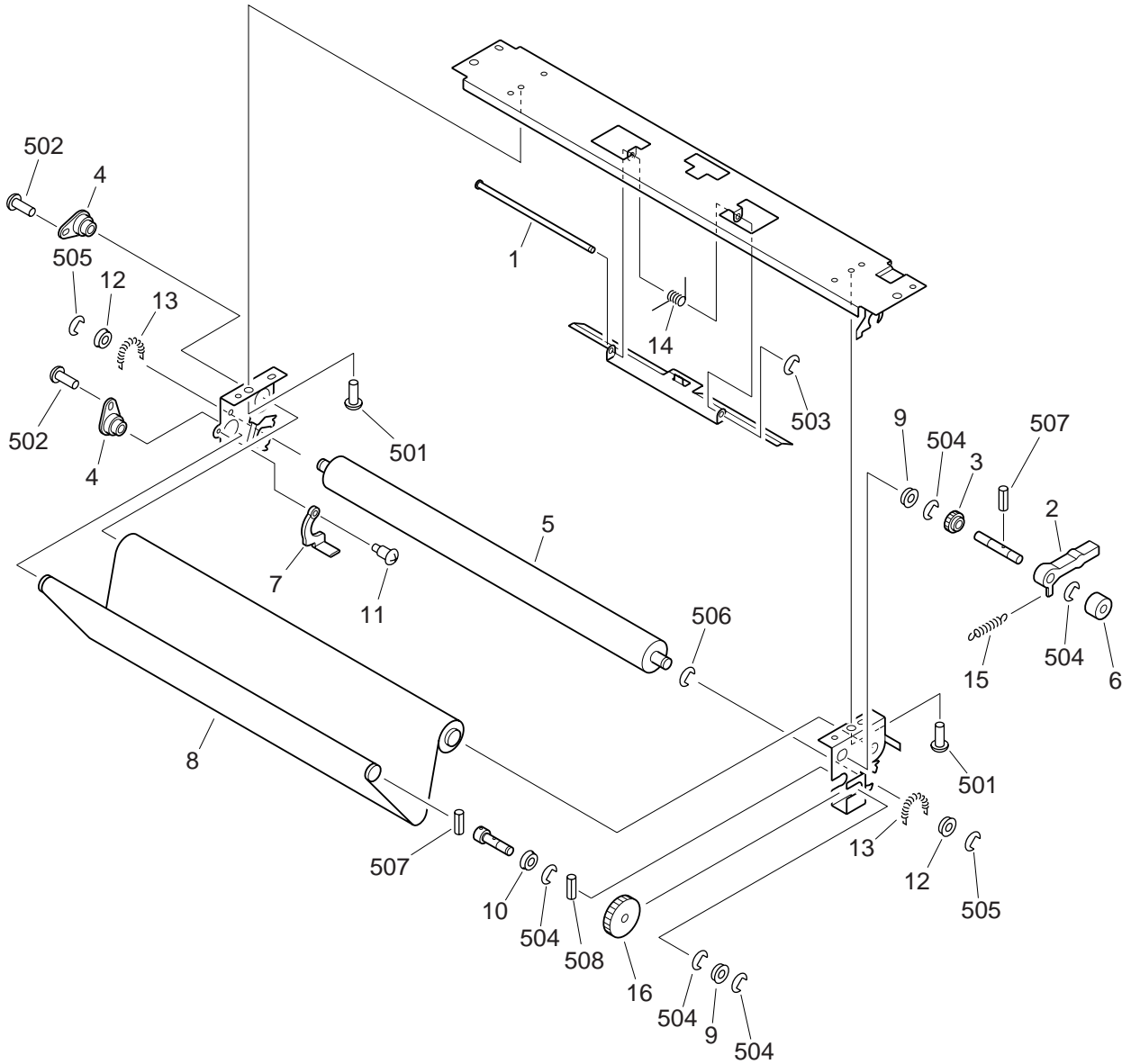


FIGURE & KEY NO.	PART NUMBER	RANK	QTY	DESCRIPTION	SERIAL NUMBER / REMARKS
820 -	NPN		RF	FIXING OIL APPLY ASSEMBLY	
1	FA6-3071-000		1	ROD, PLATE MOUNTING	
2	FB4-4538-000		1	PLATE, BLADE RETAINING	
3	FF5-9084-000		1	PLATE, OIL APPLY	
3A	FB4-4535-000		1	FELT, OIL APPLY	
4	RA9-0621-000		4	SCREW, STEPPED, M3	
5	FS1-1508-000		1	BUSHING	
6	FS6-2843-000		1	SPRING, TORSION	
7	FS6-2871-000		2	SPRING, TENSION	
8	FS6-2872-000		1	SPRING, COMPRESSION	
9	FB4-4536-000		1	PLATE, BLADE	
501	XD2-1100-322		2	RING,E	
502	XD2-1100-802		1	RING,E	

# FIGURE 830

## FIXING ROLLER CLEANING ASSEMBLY (UPPER)

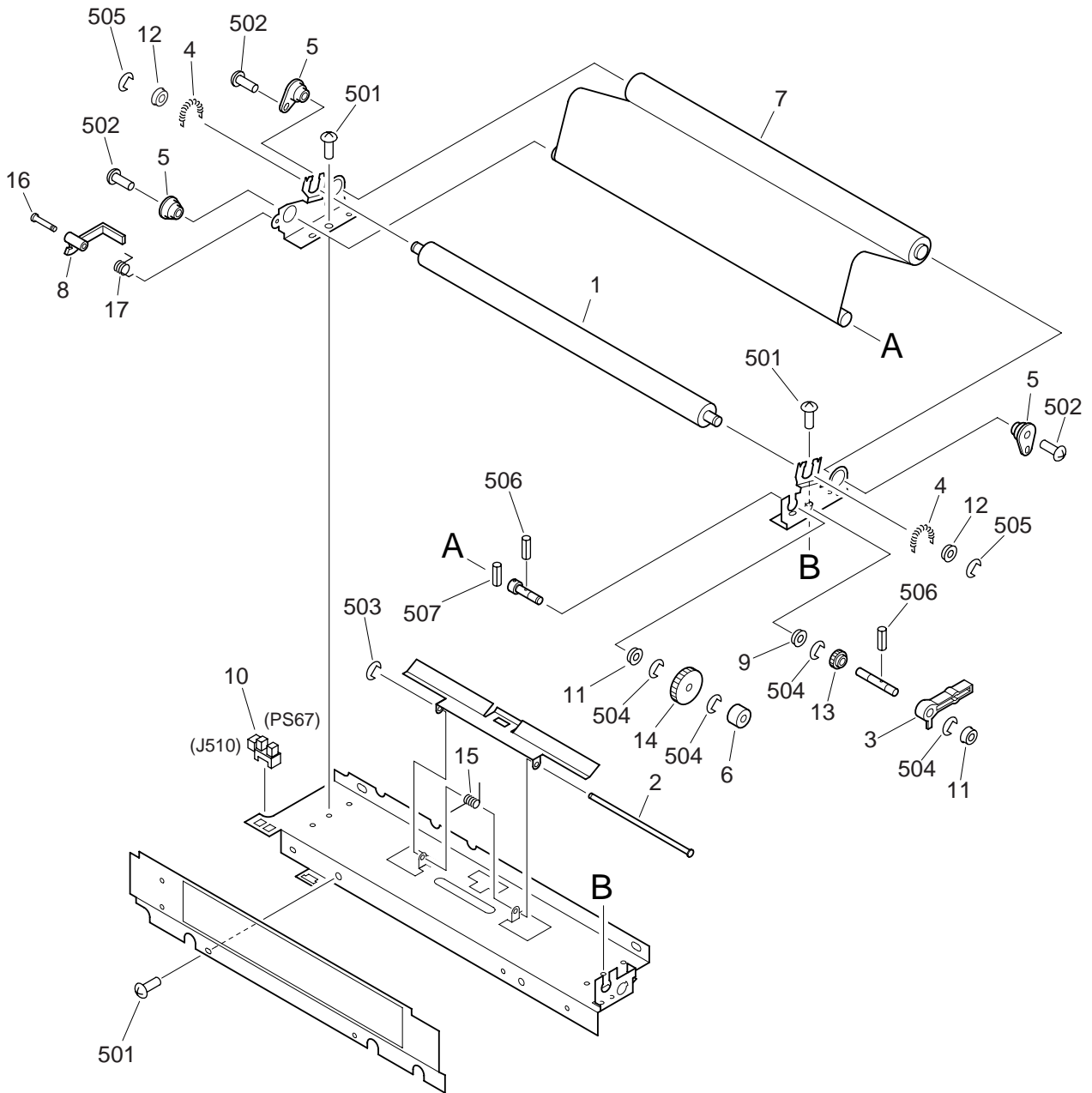


NOTE : This assembly is included in the assembly shown in Figure 810.

FIGURE & KEY NO.	PART NUMBER	R A N K	Q T Y	DESCRIPTION	SERIAL NUMBER / REMARKS
830 -	FG6-0854-000		1	FIX. ROLLER CLEAN. ASS'Y (UP.)	SEE NOTE
1	FA6-3071-000		1	ROD, PLATE MOUNTING	
2	FB4-6646-000		1	ARM, ONE-WAY	
3	FS7-0164-000		1	GEAR, 22T	
4	FB2-1371-000		2	HOLDER, CLEANING ROLLER	
5	FB4-6645-000		1	ROLLER, CLEANING	
6	FB4-6647-000		1	BUSHING	
7	FB4-4542-000		1	LEVER, SENSOR	
8	FB4-4543-000		1	ROLL, FIXING CLEANING	
9	RS1-1016-000		2	BUSHING	
10	FS1-1508-000		1	BUSHING	
11	FS1-9009-000		1	SCREW, STEPPED, M3	
12	FS2-1256-000		2	BUSHING	
13	FS6-2839-000		2	SPRING, TENSION	
14	FS6-2842-000		1	SPRING, TORSION	
15	FS6-2873-000		1	SPRING, TENSION	
16	FS7-0163-000		1	GEAR, 46T	
501	XB1-2400-609		2	SCREW, MACH., TRUSS HEAD, M4X6	
502	XB2-4400-805		2	SCREW, W/WASHER, M4X8	
503	XD2-1100-322		1	RING, E	
504	XD2-1100-502		5	RING, E	
505	XD2-1100-642		2	RING, E	
506	XD2-1100-802		1	RING, E	
507	XD3-1200-102		2	PIN, SPRING	
508	XD3-1200-122		1	PIN, SPRING	

# FIGURE 831

## FIXING ROLLER CLEANING ASSEMBLY (LOWER)



NOTE : This assembly is included in the assembly shown in Figure 810.

FIGURE & KEY NO.	PART NUMBER	R A N K	Q T Y	DESCRIPTION	SERIAL NUMBER / REMARKS
831 -	FG6-0855-000		1	FIX. ROLLER CLEAN. ASS'Y (LW.)	SEE NOTE
1	FA6-3063-000		1	ROLLER,PRESSURE, CLEANING BELT	
2	FA6-3071-000		1	ROD, PLATE MOUNTING	
3	FB4-6646-000		1	ARM, ONE-WAY	
4	FS6-2884-000		2	SPRING, TENSION	
5	FB2-1371-000		3	HOLDER, CLEANING ROLLER	
6	FB4-6647-000		1	BUSHING	
7	FB4-4543-000		1	ROLL, FIXING CLEANING	
8	FB4-4549-000		1	LEVER, SENSOR	
9	RS1-1016-000		1	BUSHING	
10	FH7-7394-000		1	PHOTO-INTERRUPTER	PS67 J510
11	FS1-1508-000		2	BUSHING	
12	FS2-1256-000		2	BUSHING	
13	FS5-0739-000		1	GEAR, 28T	
14	FS5-0740-000		1	GEAR, 40T	
15	FS6-2842-000		1	SPRING, TORSION	
16	FS5-9212-000		1	SCREW, STEPPED, M3	
17	FS6-2874-000		1	SPRING, TORSION	
501	XB1-2400-609		4	SCREW, MACH., TRUSS HEAD, M4X6	
502	XB2-4400-805		3	SCREW, W/WASHER, M4X8	
503	XD2-1100-322		1	RING, E	
504	XD2-1100-502		4	RING, E	
505	XD2-1100-642		2	RING, E	
506	XD3-1200-102		2	PIN, SPRING	
507	XD3-1200-122		1	PIN, SPRING	

# FIGURE 910 MAIN POWER SUPPLY ASSEMBLY

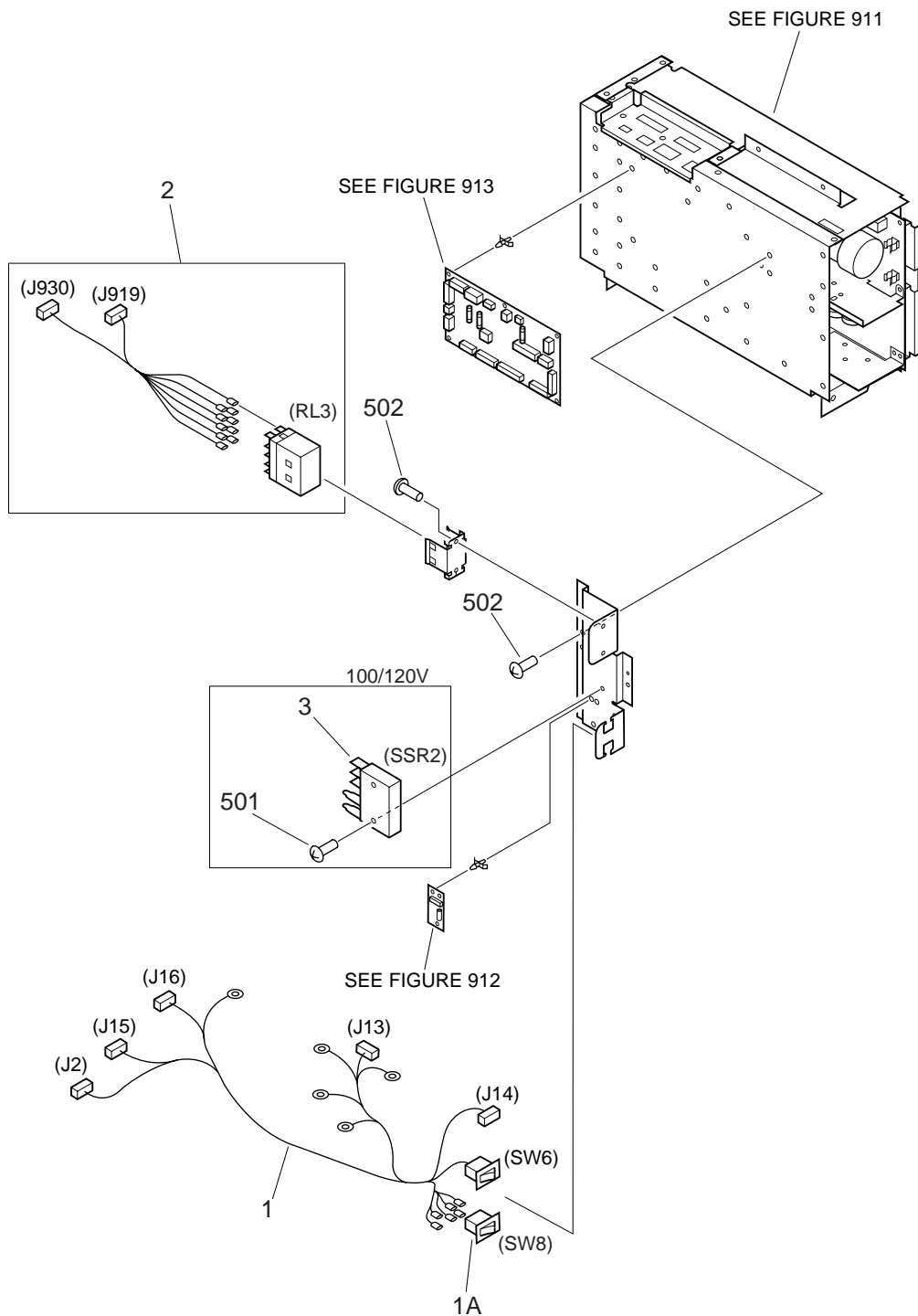


FIGURE & KEY NO.	PART NUMBER	RANK	QTY	DESCRIPTION	SERIAL NUMBER / REMARKS
910 -	NPN		RF	MAIN POWER SUPPLY ASSEMBLY	
1	FG6-2450-000		1	CABLE, ENVIRONMENT SWITCH	100/120V SW6 J2,13-16
	FG6-2451-000		1	CABLE, ENVIRONMENT SWITCH	220/240V SW6 J2,13-16
1 A	FH7-6285-000		1	SWITCH, ROCKER	SW8
2	FG6-2500-000		1	CABLE, INTERLOCK RELAY	RL3 J919,930
3	FH4-5961-000		1	SSR	100/120V SSR2
501	XB2-8401-409		2	SCREW,W/WASHER,M4X14	100/120V
502	XB1-2400-609		2	SCREW,MACH.,TRUSS HEAD,M4X6	

# FIGURE 911

## DC POWER SUPPLY PCB ASSEMBLY

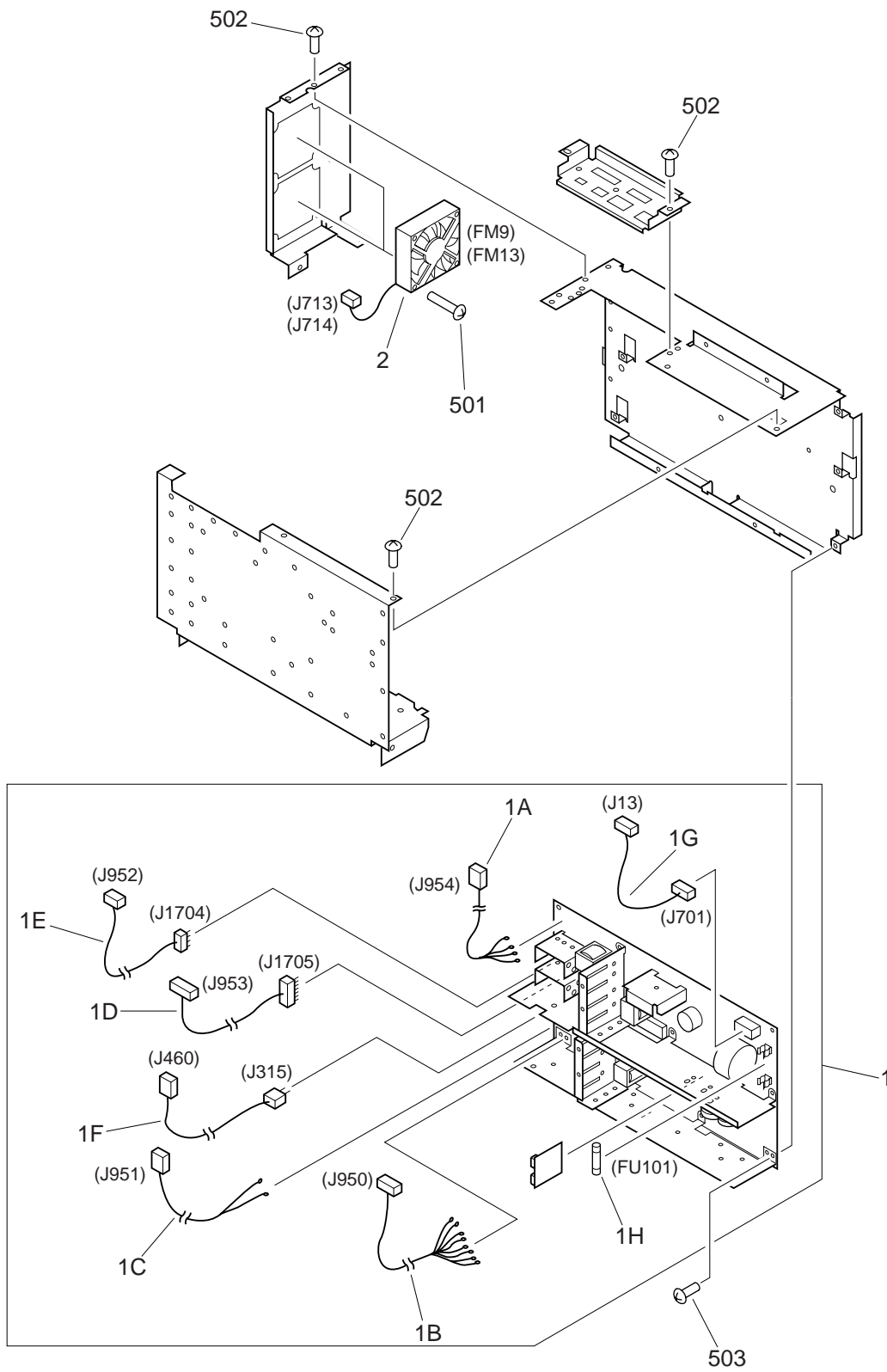




FIGURE & KEY NO.	PART NUMBER	RANK	QTY	DESCRIPTION	SERIAL NUMBER / REMARKS
911 -	NPN		RF	DC POWER SUPPLY PCB ASSEMBLY	
1	FG6-0975-000		1	MAIN POWER SUPPLY-C PCB ASS'Y	100/120V
	FG6-0976-000		1	MAIN POWER SUPPLY-C PCB ASS'Y	220/240V
1A	FF5-7962-000		1	CABLE, DCP-5V	J954
1B	FF5-7963-000		1	CABLE, DCP-24V	J950
1C	FF5-7964-000		1	CABLE, DCP-38V	J951
1D	FF5-7965-000		1	CABLE, DCP-8V	J953,1705
1E	FF5-7966-000		1	CABLE, DCP-12V	J952,1704
1F	FF5-7967-000		1	CABLE, DCP-SIG	J315,460
1G	FG6-2443-000		1	AC CABLE, DC POWER SUPPLY	J13,701
1H	VD7-0461-502		1	FUSE, AC125V 15A	100/120V FU101
	VD7-0646-301		1	FUSE,AC250V 6.3A	220/240V FU101
2	FH6-1587-000		2	FAN	FM9,13 J713,714
501	XB1-2403-009		4	SCREW,MACH.,TRUSS HEAD,M4X30	
502	XB1-2400-609		10	SCREW,MACH.,TRUSS HEAD,M4X6	
503	XB2-4301-007		6	SCREW,W/WASHER,M3X10	
CT111	FH3-0666-000		1	CURRENT TRANSFORMER	220/240V
CT301	FH3-0665-000		1	TRANSFORMER	
L101	FH7-9308-000		1	COIL, CHOKE	100/120V
L111	FH3-7170-000		1	COIL, CHOKE	100/120V
L112	FH3-0887-000		1	COIL, CHOKE	100/120V
L151	FH3-7170-000		1	COIL, CHOKE	100/120V
L251	FH3-0889-000		1	COIL, CHOKE	
L301	RH6-3148-000		1	COIL, CHOKE	100/120V
L351	FH3-0890-000		1	COIL, CHOKE	
L501	FH3-0688-000		1	COIL, CHOKE	
Q901	FH4-6040-000		1	IC, H8D2885, HYBRID	
Q931	FH4-6040-000		1	IC, H8D2885, HYBRID	
T301	FH3-0744-000		1	TRANSFORMER	
T901	FH3-0888-000		1	TRANSFORMER	

FIGURE & KEY NO.	PART NUMBER	R A N K	Q T Y	DESCRIPTION	SERIAL NUMBER / REMARKS
911 - T931	FH3-0740-000		1	TRANSFORMER	

# FIGURE 912 AC FUSE BOARD PCB ASSEMBLY

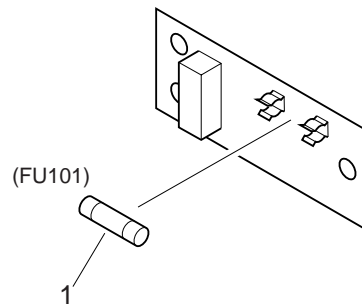


FIGURE & KEY NO.	PART NUMBER	RANK	QTY	DESCRIPTION	SERIAL NUMBER / REMARKS
912 -  1	FG6-2387-000		1	AC FUSE BOARD PCB ASSEMBLY	100/120V
	FG6-2388-000		1	AC FUSE BOARD PCB ASSEMBLY	220/240V
	VD7-0212-001		1	FUSE, 125V, 2.0A	100/120V FU101
	VD7-0642-001		1	FUSE, 250V, 2.0A	220/240V FU101
-----					
-----					

# FIGURE 913 DC FUSE BOARD PCB ASSEMBLY

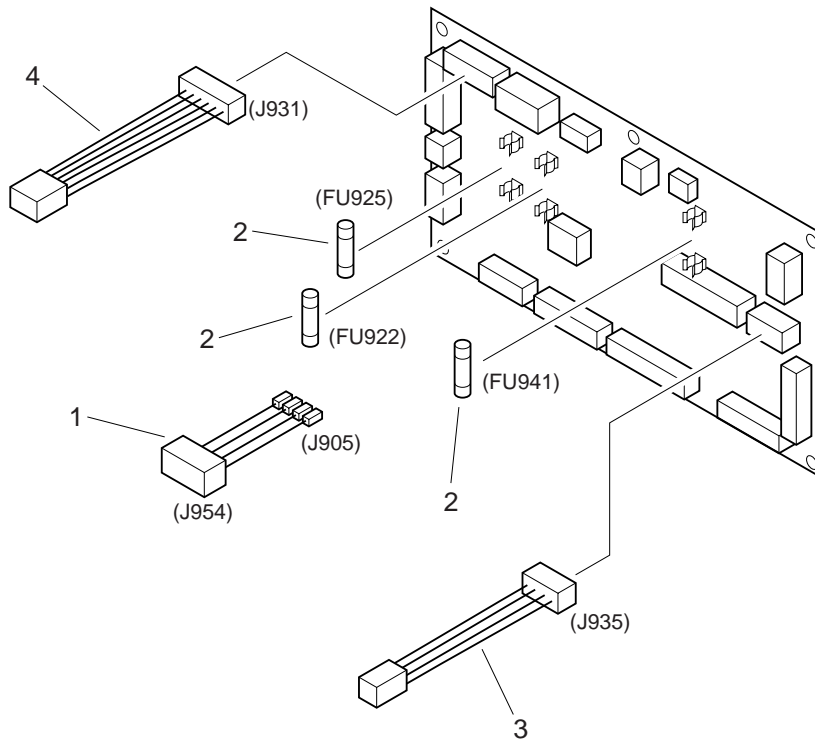


FIGURE & KEY NO.	PART NUMBER	RANK	QTY	DESCRIPTION	SERIAL NUMBER / REMARKS
913 -	FG6-2389-000		1	DC FUSE BOARD PCB ASSEMBLY	
1	FF5-7968-000		1	CABLE, DC FUSE BOARD	J905,954
2	VD7-0215-001		3	FUSE, 125V, 5A	FU922,925,941
3	FF3-3515-000		1	CABLE, FUSE BOARD, 1	J935
4	FF3-3516-000		1	CABLE, FUSE BOARD, 2	J931
-----					
-----					

# FIGURE 915

## RDF POWER SUPPLY ASSEMBLY (ACCESSORY)

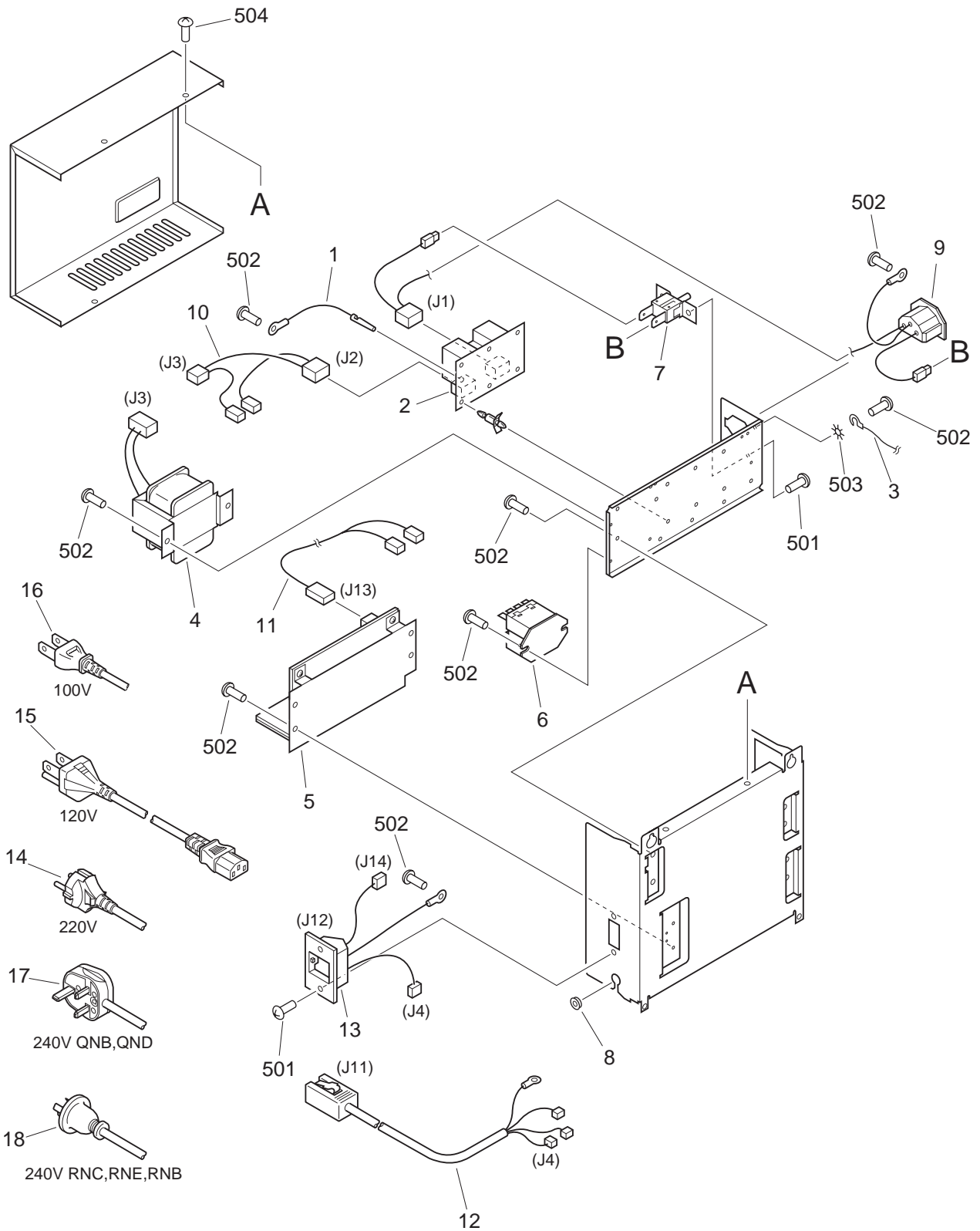
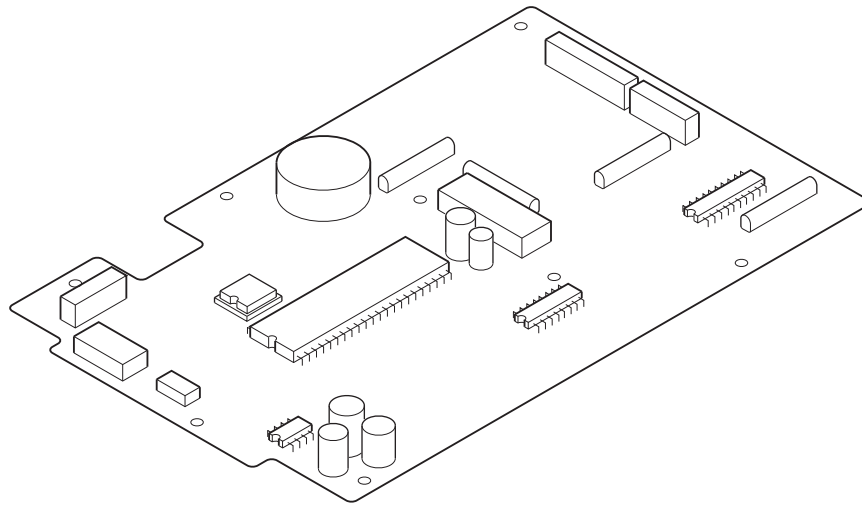


FIGURE & KEY NO.	PART NUMBER	R A N K	Q T Y	DESCRIPTION	SERIAL NUMBER / REMARKS
915 -	NPN		RF	RDF POWER SUPPLY ASSEMBLY	ACCESSORY
1	FF3-3367-000		1	CABLE, GROUNDING	
2	FG3-0100-000		1	NOISE FILTER PCB ASSEMBLY	100/120V
	FG3-0101-000		1	NOISE FILTER PCB ASSEMBLY	220/240V
3	FH2-5288-000		1	CABLE, GROUNDING	100/120V
4	FH3-0906-000		1	COIL, CHOKE	J3
5	FH3-2531-000		1	REGULATOR, SWITCHING	100/120V
	FH3-2532-000		1	REGULATOR, SWITCHING	220/240V
6	FH7-6208-000		1	RELAY, AC250V	
7	WD3-5071-000		1	BREAKER, CIRCUIT	100/120V
	WD3-0125-000		1	BREAKER, CIRCUIT	220/240V
8	WT2-0212-000		1	BUSHING	
9	FG6-2519-000		1	CABLE, AC INLET	J1
10	FG6-2520-000		1	CABLE, NOISE FILTER-RELAY	J2,3
11	FG6-2521-000		1	CABLE, RELAY-DC POWER SUPPLY	J13
12	FG6-2522-000		1	CABLE, RF, POWER SUPPLY, 1	J4,11
13	FG6-2523-000		1	CABLE, RF, POWER SUPPLY, 2	J4,12,14
14	FH2-5761-020		1	CORD, POWER	220V
15	FH2-6578-000		1	CORD, POWER	120V
16	FH2-6577-000		1	CORD, POWER	100V
17	FH2-5762-000		1	CORD, POWER	240V QNB,QND
18	FH2-5763-000		1	CORD, POWER	240V RNC,RNE,RNB
501	XB1-2300-606		4	SCREW,MACH.,TRUSS HEAD,M3X6	
502	XB1-2400-606		12	SCREW,MACH.,TRUSS HEAD,M4X6	100/120V
	XB1-2400-606		11	SCREW,MACH.,TRUSS HEAD,M4X6	220/240V
503	XD1-4200-402		2	WASHER,TOOTHED LOCK	100/120V
	XD1-4200-402		1	WASHER,TOOTHED LOCK	220/240V
504	XB2-7400-806		4	SCREW,W/WASHER,M4X8	

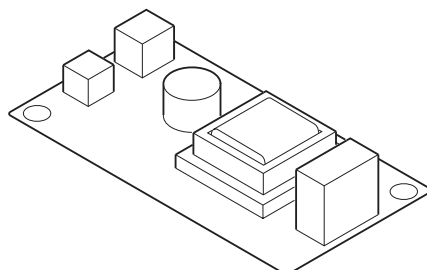
# FIGURE 925 CONTROL PANEL CPU PCB ASSEMBLY



NOTE : This assembly is included in the assembly shown in Figure 130.

FIGURE & KEY NO.	PART NUMBER	RANK	QTY	DESCRIPTION	SERIAL NUMBER / REMARKS
925 -	FG6-2188-000		1	CONTROL PANEL CPU PCB ASSEMBLY	SEE NOTE
Q919	FH4-3738-000		1	IC, MB89P637, M-PRO	

# FIGURE 926 PANEL INVERTER PCB ASSEMBLY



NOTE : This assembly is included in the assembly shown in Figure 130.

FIGURE & KEY NO.	PART NUMBER	RANK	QTY	DESCRIPTION	SERIAL NUMBER / REMARKS
926 -	FG6-2190-000		1	PANEL INVERTER PCB ASSEMBLY	SEE NOTE
T961	FH3-0719-000		1	TRANSFORMER	



# FIGURE 930

## DC DRIVER PCB ASSEMBLY

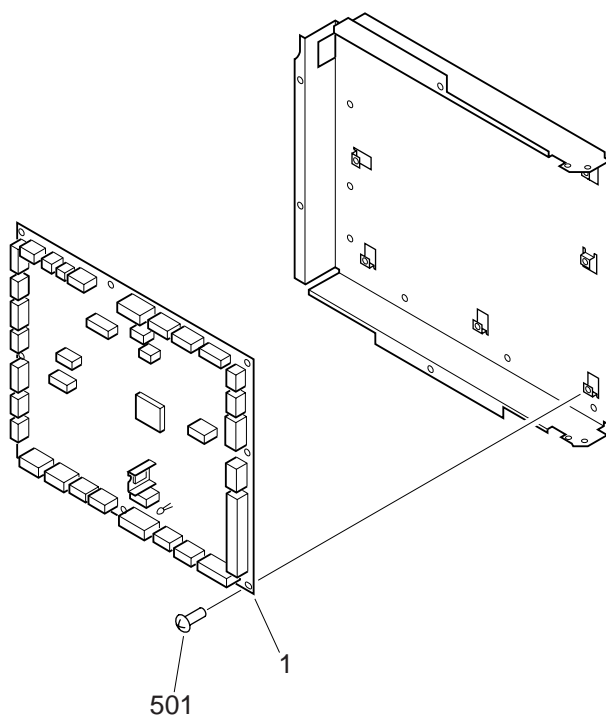


FIGURE & KEY NO.	PART NUMBER	RANK	QTY	DESCRIPTION	SERIAL NUMBER / REMARKS
930 -	NPN		RF	DC DRIVER PCB ASSEMBLY	
1	FG6-2383-000		1	DC DRIVER PCB ASSEMBLY	CLC1120
	FG6-2384-000		1	DC DRIVER PCB ASSEMBLY	CLC1130
	FG6-2385-000		1	DC DRIVER PCB ASSEMBLY	CLC1150
501	XB1-2400-607		8	SCREW,MACH.,TRUSS HEAD,M4X6	
IC36	FH4-1334-000		1	IC, M7G11A0-0100FP, GATE ARRAY	
LED 1	WG1-0373-000		1	LED, SEL2110RTP1	

# FIGURE 931 CPU PCB MOUNT ASSEMBLY

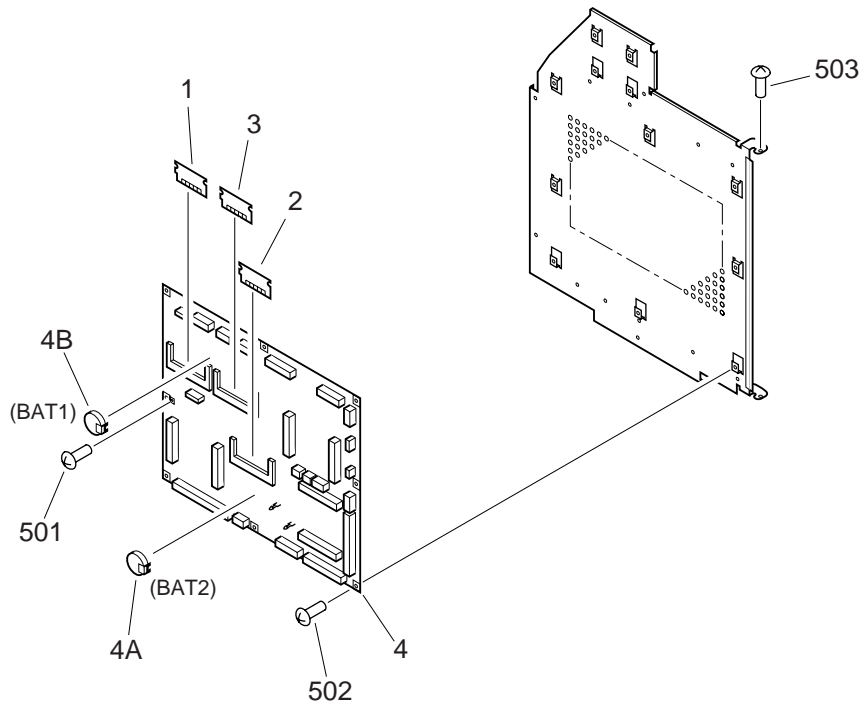


FIGURE & KEY NO.	PART NUMBER	RANK	QTY	DESCRIPTION	SERIAL NUMBER / REMARKS
931 -	NPN		RF	CPU PCB MOUNT ASSEMBLY	
1	FG6-9468-000		1	R-CPU-DIMM PCB ASSEMBLY	
2	FG6-2492-000		1	DC-CPU-DIMM PCB ASSEMBLY	
3	FG6-2493-000		1	PANEL-CPU-DIMM PCB ASSEMBLY	JAPANESE
	FG6-2494-000		1	PANEL-CPU-DIMM PCB ASSEMBLY	US ENGLISH
	FG6-2499-000		1	PANEL-CPU-DIMM PCB ASSEMBLY	OTHER LANGNASES
	FG6-2495-000		1	PANEL-CPU-DIMM PCB ASSEMBLY	UK ENGLISH
	FG6-2496-000		1	PANEL-CPU-DIMM PCB ASSEMBLY	FRENCH
	FG6-2498-000		1	PANEL-CPU-DIMM PCB ASSEMBLY	ITALIAN
	FG6-2497-000		1	PANEL-CPU-DIMM PCB ASSEMBLY	GERMAN
4	FG6-2386-000		1	READER CPU PCB ASSEMBLY	
4A	WK1-0084-000		1	BATTERY, 3V, 550 MAH	BAT2
4B	WK1-5019-000		1	BATTERY,LITHIUM,CR2477-HE4H,3V	BAT1
501	XB1-2300-407		1	SCREW,MACH.,TRUSS HEAD,M3X4	
502	XB1-2400-607		8	SCREW,MACH.,TRUSS HEAD,M4X6	
503	XB1-2400-809		1	SCREW,MACH.,TRUSS HEAD,M4X8	
IC5	FH4-5952-000		1	IC, UPD65636GB-Y18-9EU,G.ARRAY	
IC9	FH4-5560-000		1	IC, M38881M2-010GP, IPC	
IC10	FH4-5560-000		1	IC, M38881M2-010GP, IPC	
IC22	FH4-5560-000		1	IC, M38881M2-010GP, IPC	
IC24	FH4-3702-000		1	IC, HD6432653BA12F, CPU	
LED1	WG1-0373-000		1	LED, SEL2110RTP1	
LED2	WG1-0373-000		1	LED, SEL2110RTP1	

# FIGURE 940

## SCANNER MOTOR DRIVER PCB ASSEMBLY

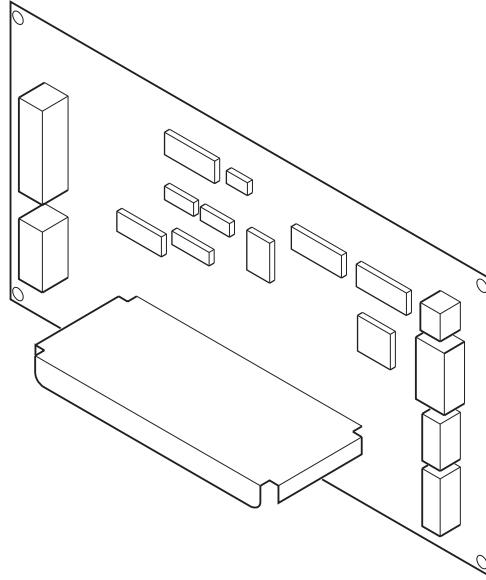
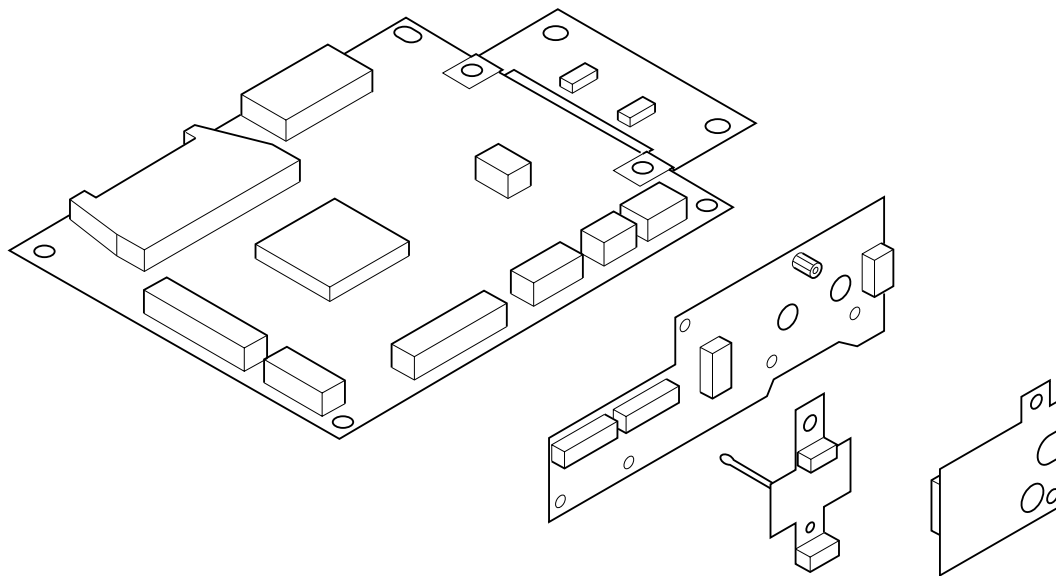


FIGURE & KEY NO.	PART NUMBER	RANK	QTY	DESCRIPTION	SERIAL NUMBER / REMARKS
940 -	FG6-0929-000		1	SCANNER MOTOR DRIVER PCB ASS'Y	
IC 7	FH4-5560-000		1	IC, M38881M2-010GP, IPC	
IC 8	FH4-1336-000		1	IC, HD64F3048F, CMOS	

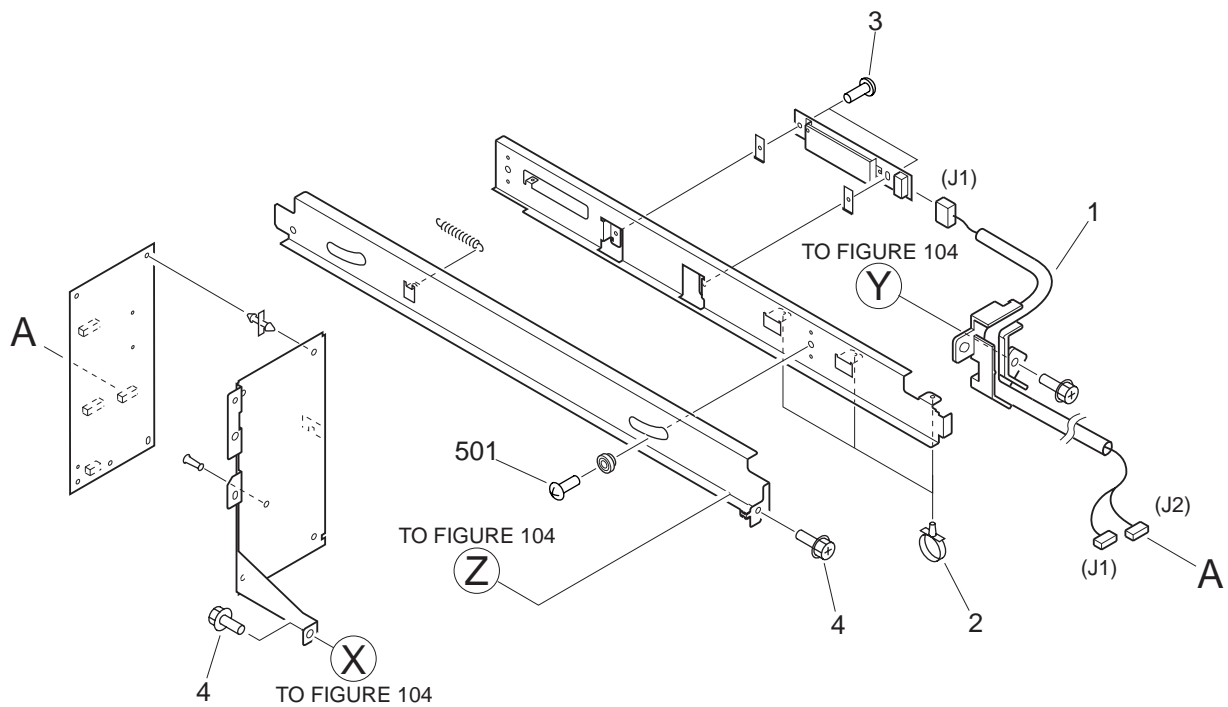
# FIGURE 945 LASER CONTROLLER PCB UNIT



NOTE : This assembly is include in the assmby shown in Figure 460.

FIGURE & KEY NO.	PART NUMBER	RANK	QTY	DESCRIPTION	SERIAL NUMBER / REMARKS
945 -	FG6-4730-000		1	LASER CONTROLLER PCB UNIT	SEE NOTE
Q5	RH4-5283-000		1	IC, QFP	
Q 15	RH4-5341-000		1	IC, SN104242PZ, PWM-IC	
Q 36	FH4-1335-000		1	IC, MB87F1900PFV, GATE ARRAY	
TH1	FH7-7469-000		1	THERMISTER UNIT	
-----					
-----					

# FIGURE 947 POTENTIAL MEASURING PCB ASSEMBLY



NOTE : This assembly does not include the part shown with key No. 4.

FIGURE & KEY NO.	PART NUMBER	RANK	QTY	DESCRIPTION	SERIAL NUMBER / REMARKS
947 -	FG6-0894-000		1	POTENTIAL MEASURING PCB ASS'Y	
1	FG6-2419-000		1	CABLE, POTENTIAL MEASURING	J1,2
2	WT2-5041-000		3	TIE, CABLE	
3	XA9-0040-000		2	SCREW,INSUL.,TRUSS HEAD,M4X20	
4	XA9-0629-000		AR	SCREW,RS,M4X8	SEE NOTE
501	XB1-2300-609		2	SCREW,MACH.,TRUSS HEAD,M3X6	

# FIGURE 950

## ANALOG PROCESSOR PCB ASSEMBLY

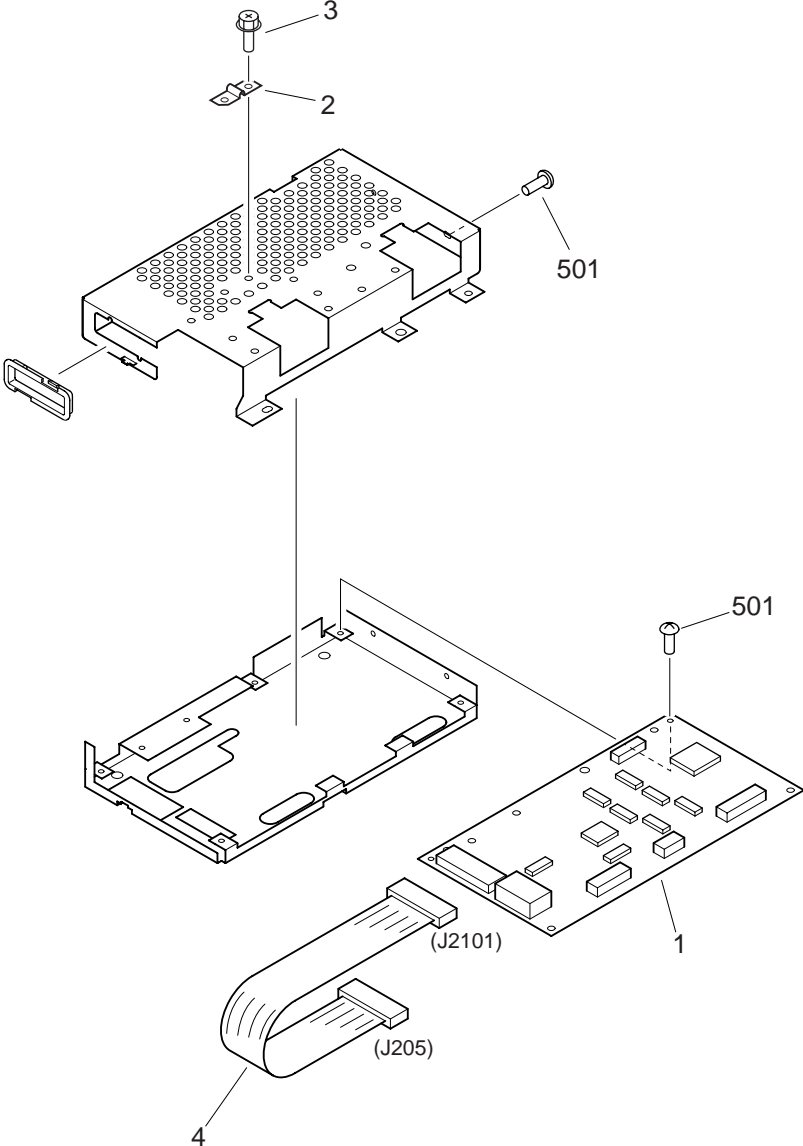


FIGURE & KEY NO.	PART NUMBER	RANK	QTY	DESCRIPTION	SERIAL NUMBER / REMARKS
950 -	NPN		RF	ANALOG PROCESSOR PCB ASSEMBLY	
1	FH1-2623-000		1	ANALOG PROCESSOR PCB ASSEMBLY	
2	FB3-2052-000		1	PLATE, SHIELD	
3	XA9-0629-000		AR	SCREW,RS,M4X8	
4	FF2-9067-000		1	CABLE, ANALOG PROCESSOR	J205,2101
501	XB1-2300-607		10	SCREW,MACH.,TRUSS HEAD,M3X6	
Q2506	FH4-5551-000		1	IC, JSC05KR517AJ40, GATE ARRAY	
Q2507	FH4-5959-000		1	IC, LF9008, ASIC	



# FIGURE 955 IMAGE PROCESSOR PCB CASE

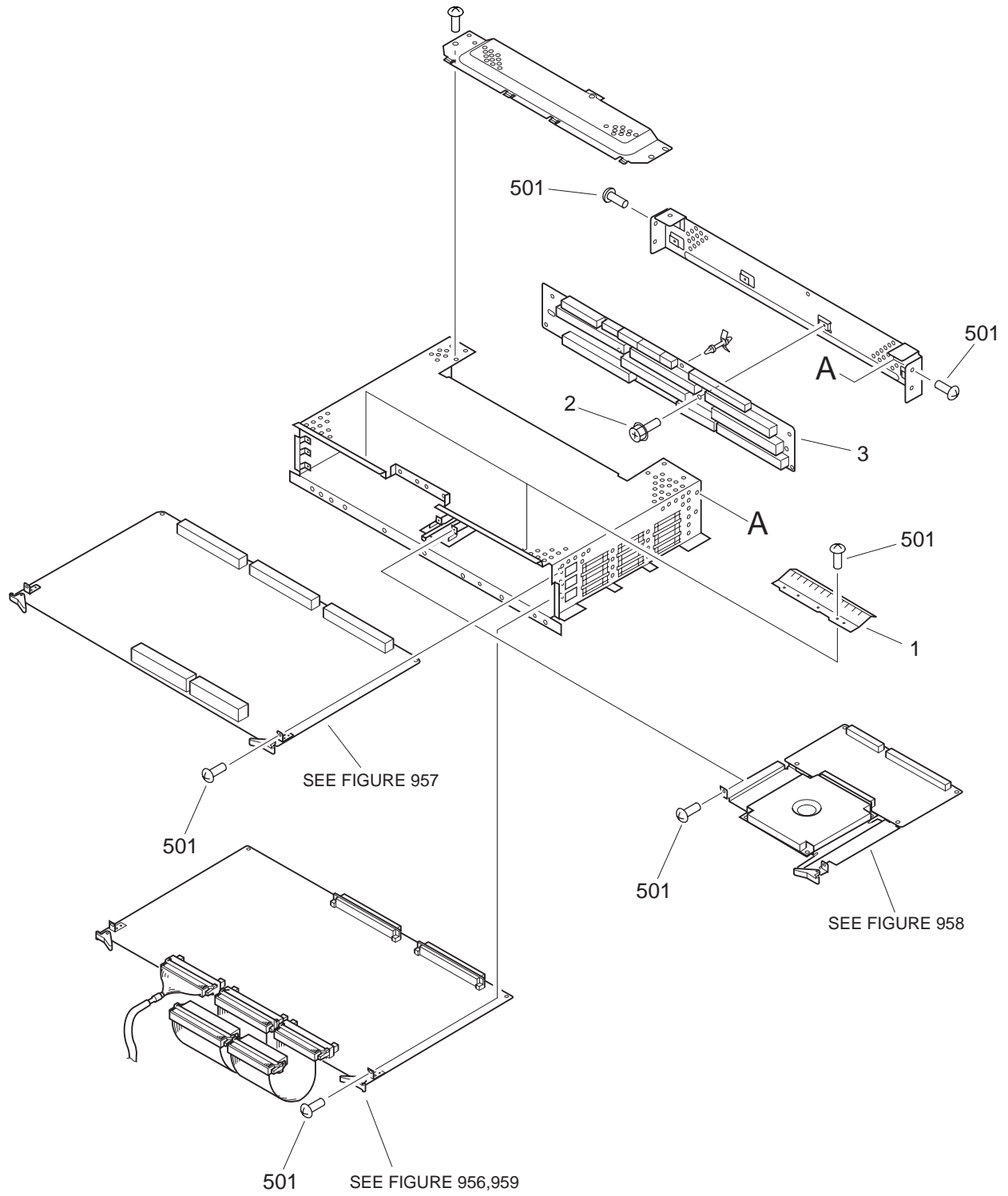
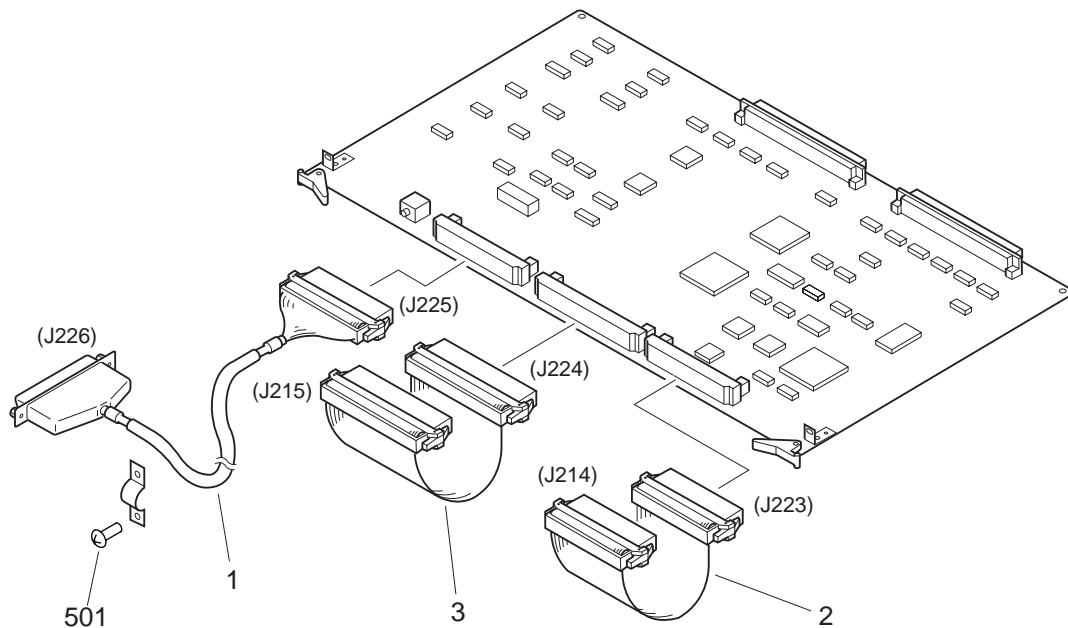


FIGURE & KEY NO.	PART NUMBER	R A N K	Q T Y	DESCRIPTION	SERIAL NUMBER / REMARKS
955 -	NPN		RF	IMAGE PROCESSOR PCB CASE	
1	FB4-5180-000		2	PLATE, GROUNDING	
2	XA9-0629-000		6	SCREW,RS,M4X8	
3	FG6-2397-000		1	I/P MOTHER BOARD PCB ASSEMBLY	
501	XB1-2400-606		4	SCREW,MACH.,TRUSS HEAD,M4X6	

# FIGURE 956 IMAGE PROCESSOR IF PCB ASSEMBLY (ACCESSORY)



NOTE : This assembly does not include the parts shown with key No. 1, 2, 3 and 501.

FIGURE & KEY NO.	PART NUMBER	RANK	QTY	DESCRIPTION	SERIAL NUMBER / REMARKS
956 -	FG6-2400-000		1	IMAGE PROCESSOR IF PCB ASS'Y	ACCESSORY SEE NOTE
1	FG6-2416-000		1	CABLE, INTERFACE	SEE NOTE J225,226
2	FF5-7956-000		1	CABLE, IP-ED, 1	SEE NOTE J214,223
3	FF5-7957-000		1	CABLE, IP-ED, 2	SEE NOTE J215,224
501	XB1-2300-406		2	SCREW,MACH.,TRUSS HEAD,M3X4	SEE NOTE
IC7	FH4-6043-000		1	IC,MBCG46183-116,STANDARD CELL	
IC18	FH4-5926-000		1	IC, MB87F1370, STANDARD CELL	
IC19	FH4-5923-000		1	IC, HG51D134FB, STANDARD CELL	
IC20	FH4-5923-000		1	IC, HG51D134FB, STANDARD CELL	
IC40	FH4-5539-000		1	IC, HG51A160FD, GATE ARRAY	
IC46	FH4-5540-000		1	IC, TC160G16AF-1035,GATE ARRAY	
IC51	FH4-5701-000		1	IC, MBCG24243-4186, GATE ARRAY	
IC58	FH4-5528-000		1	IC, MBCG31553-2106, GATE ARRAY	
IC62	FH4-5701-000		1	IC, MBCG24243-4186, GATE ARRAY	

FIGURE 957 IMAGE PROCESSOR MAIN PCB ASSEMBLY

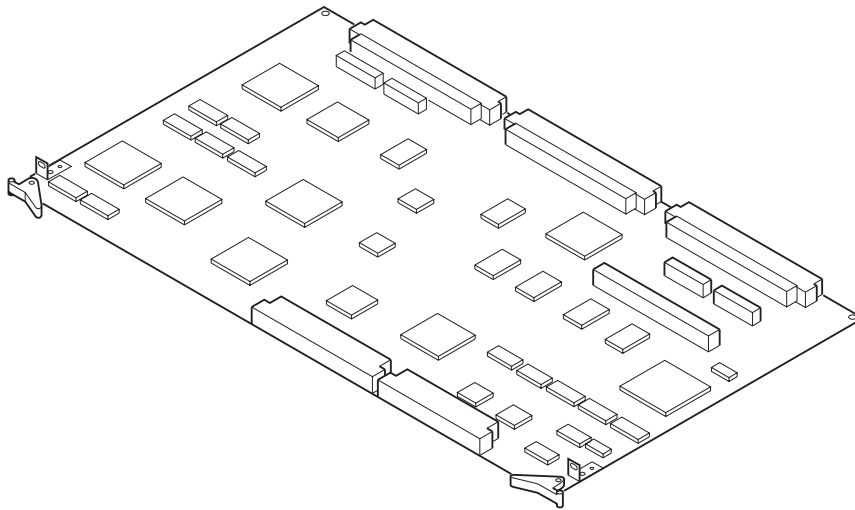


FIGURE & KEY NO.	PART NUMBER	RANK	QTY	DESCRIPTION	SERIAL NUMBER / REMARKS
957 -	FG6-2398-000		1	IMAGE PROCESSOR MAIN PCB ASS'Y	
IC4	FH4-5771-000		1	IC, HG51B190FD	
IC5	FH4-5923-000		1	IC, HG51D134FB, STANDARD CELL	
IC6	FH4-5923-000		1	IC, HG51D134FB, STANDARD CELL	
IC7	FH4-5928-000		1	IC,TC220C200AF-001,STAND.CELL	
IC8	FH4-5929-000		1	IC,TC220C220AF-001,STAND.CELL	
IC9	FH4-5924-000		1	IC, MB87D122, STANDARD CELL	
IC12	FH4-5769-000		1	IC, HG51B188FD, GATE ARRAY	
IC18	FH4-5922-000		1	IC, HG51D315FD, STANDARD CELL	
IC23	FH4-5927-000		1	IC, MB87F1360, STANDARD CELL	
IC33	FH4-5216-000		1	IC, MB622126U, GATE ARRAY	
IC34	FH4-5216-000		1	IC, MB622126U, GATE ARRAY	
IC35	FH4-5216-000		1	IC, MB622126U, GATE ARRAY	
IC36	FH4-5216-000		1	IC, MB622126U, GATE ARRAY	
IC37	FH4-5701-000		1	IC, MBCG24243-4186, GATE ARRAY	
IC39	FH4-5700-000		1	IC, M60067-0900FP, GATE ARRAY	
IC40	FH4-5540-000		1	IC, TC160G16AF-1035,GATE ARRAY	
IC41	FH4-5519-000		1	IC, JSC38KG517A109, GATE ARRAY	
IC42	FH4-5698-000		1	IC, UPD93119GH-3EU, GATE ARRAY	
IC43	FH4-5921-000		1	IC,M65442-0001FP,STANDARD,CELL	

# FIGURE 958 IMAGE PROCESSOR ECO PCB ASSEMBLY

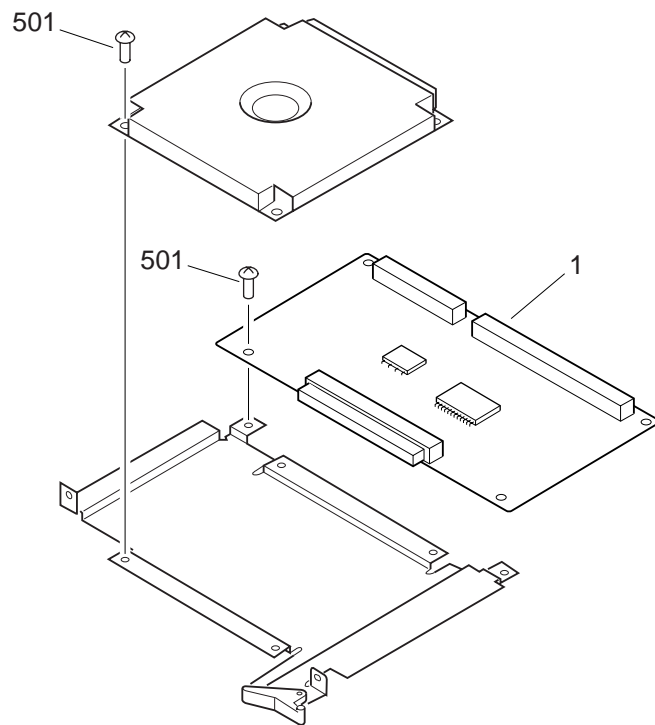
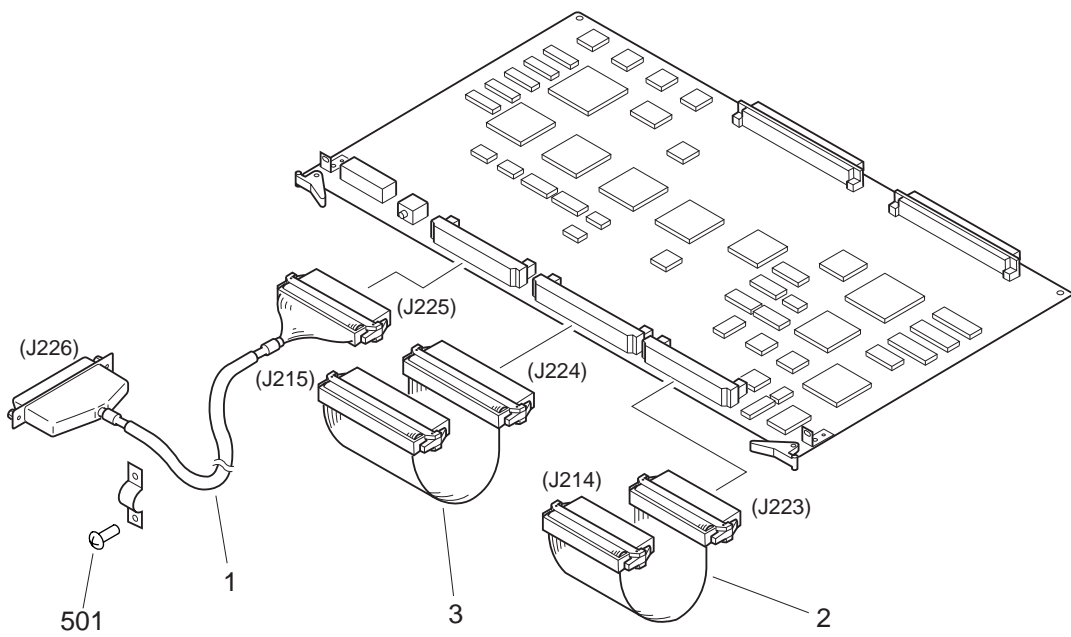


FIGURE & KEY NO.	PART NUMBER	RANK	QTY	DESCRIPTION	SERIAL NUMBER / REMARKS
958 -	NPN		RF	IMAGE PROCESSOR ECO PCB ASS'Y	
1	FG6-1487-000		1	ECOTRN BOARD PCB ASSEMBLY	
501	XB1-2300-606		6	SCREW,MACH.,TRUSS HEAD,M3X6	
-----					
-----					

# FIGURE 959 IMAGE PROCESSOR ED PCB ASSEMBLY (ACCESSORY)



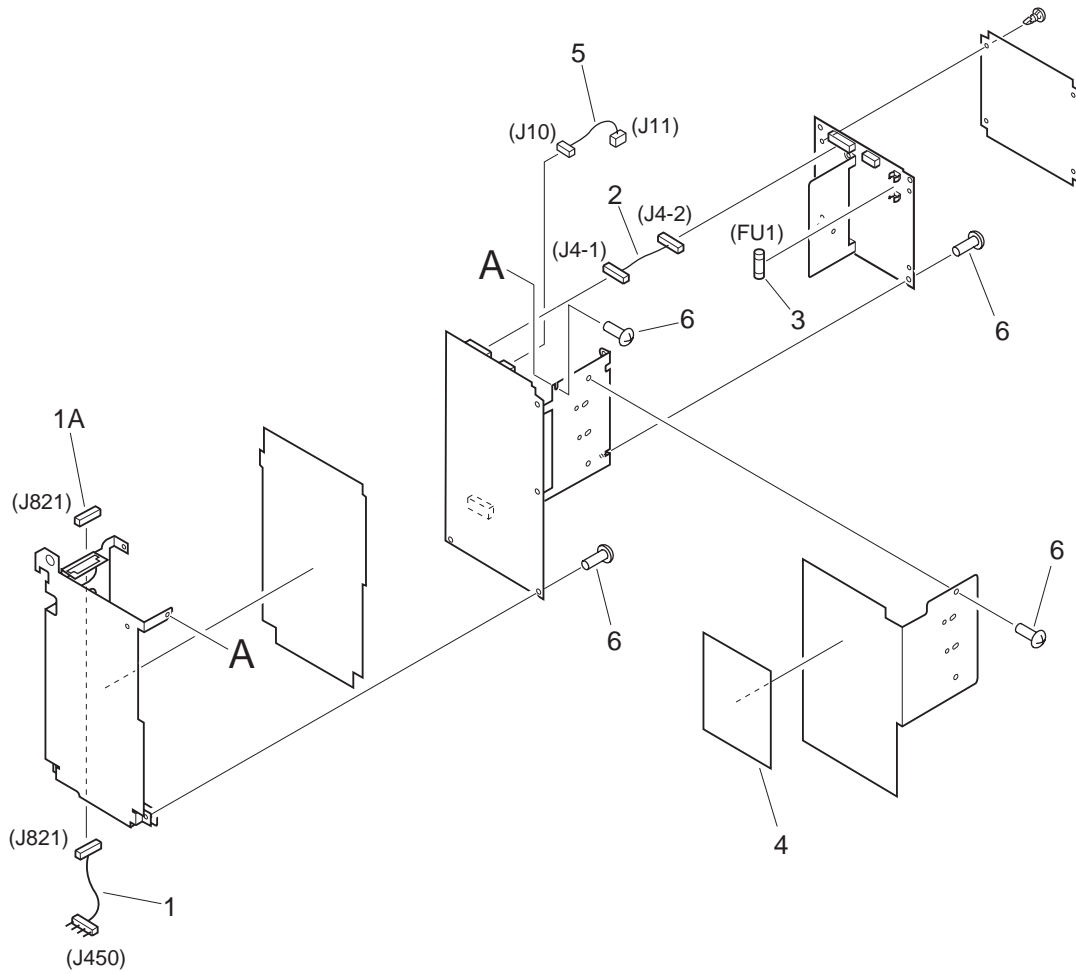
NOTE : This assembly does not include the parts shown with key No. 1, 2, 3 and 501.

FIGURE & KEY NO.	PART NUMBER	RANK	QTY	DESCRIPTION	SERIAL NUMBER / REMARKS
959 -	FG6-2399-000		1	IMAGE PROCESSOR ED PCB ASS'Y	ACCESSORY
1	FG6-2416-000		1	CABLE, INTERFACE	SEE NOTE J225,226
2	FF5-7956-000		1	CABLE, IP-ED, 1	SEE NOTE J214,223
3	FF5-7957-000		1	CABLE, IP-ED, 2	SEE NOTE J215,224
501	XB1-2300-406		2	SCREW,MACH.,TRUSS HEAD,M3X4	SEE NOTE
IC1	FH4-5923-000		1	IC, HG51D134FB, STANDARD CELL	
IC2	FH4-5527-000		1	IC, MBCG31553-2105, GATE ARRAY	
IC3	FH4-5923-000		1	IC, HG51D134FB, STANDARD CELL	
IC4	FH4-5923-000		1	IC, HG51D134FB, STANDARD CELL	
IC5	FH4-5540-000		1	IC, TC160G16AF-1035,GATE ARRAY	
IC6	FH4-5701-000		1	IC, MBCG24243-4186, GATE ARRAY	
IC11	FH4-5925-000		1	IC, MB87F1620, STANDARD CELL	
IC15	FH4-5539-000		1	IC, HG51A160FD, GATE ARRAY	
IC16	FH4-5539-000		1	IC, HG51A160FD, GATE ARRAY	
IC17	FH4-5539-000		1	IC, HG51A160FD, GATE ARRAY	
IC18	FH4-5539-000		1	IC, HG51A160FD, GATE ARRAY	
IC19	FH4-5528-000		1	IC, MBCG31553-2106, GATE ARRAY	
IC25	FH4-5604-000		1	IC, TC140G54AF-0208	
IC33	FH4-5701-000		1	IC, MBCG24243-4186, GATE ARRAY	
IC36	FH4-5923-000		1	IC, HG51D134FB, STANDARD CELL	
IC37	FH4-5923-000		1	IC, HG51D134FB, STANDARD CELL	
IC38	FH4-5926-000		1	IC, MB87F1370, STANDARD CELL	
IC41	FH4-6043-000		1	IC,MBCG46183-116,STANDARD CELL	
IC44	FH4-5550-000		1	IC, MBCG24942-6184, GATE ARRAY	



# FIGURE 970

## LAMP REGULATOR PCB ASSEMBLY



NOTE : This assembly does not include the part shown with key No. 5.

FIGURE & KEY NO.	PART NUMBER	RANK	QTY	DESCRIPTION	SERIAL NUMBER / REMARKS
970 -  1 1A 2	FG6-0911-000		1	LAMP REGULATOR PCB ASSEMBLY	100/120V
	FG6-2417-000		1	LAMP REGULATOR PCB ASSEMBLY	220/240V
	FF3-3385-000		1	CABLE, LAMP CONTROL	J450,821
	VS1-5057-010		1	CONNECTOR, SNAP TIGHT	J821
	FF3-3386-000		1	CABLE, SNAP TIGHT	J4-1,4-2
3	VD7-0218-001		1	FUSE	100/120V FU1
	VD7-0644-001		1	FUSE, 250V, 4A	220/240V FU1
4	FS6-8517-000		1	LABEL, LASER CAUTION	100/120V
	FS6-8518-000		1	LABEL, LASER CAUTION	220/240V
5	FG5-3155-000		1	CABLE, LAMP REGULATOR	J10,11 SEE NOTE
6	FA9-1613-000		9	SCREW, WASHER PLAIN, M3X6	
L1	RH6-3056-000		1	FILTER, NOISE, 6A 1MH	100/120V
	RH6-3057-000		1	CHOKO COIL	220/240V
L2	FH3-0901-000		1	INDUCTOR	
R 34	FH4-9193-000		1	RESISTOR, 100KOHM, 1/2W	
R 35	FH4-9193-000		1	RESISTOR, 100KOHM, 1/2W	
R 38	FH4-9193-000		1	RESISTOR, 100KOHM, 1/2W	
R 39	FH4-9193-000		1	RESISTOR, 100KOHM, 1/2W	
T1	FH3-0900-000		1	TRANSFORMER	

# FIGURE 980 H.V. DEVELOPING PCB ASSEMBLY

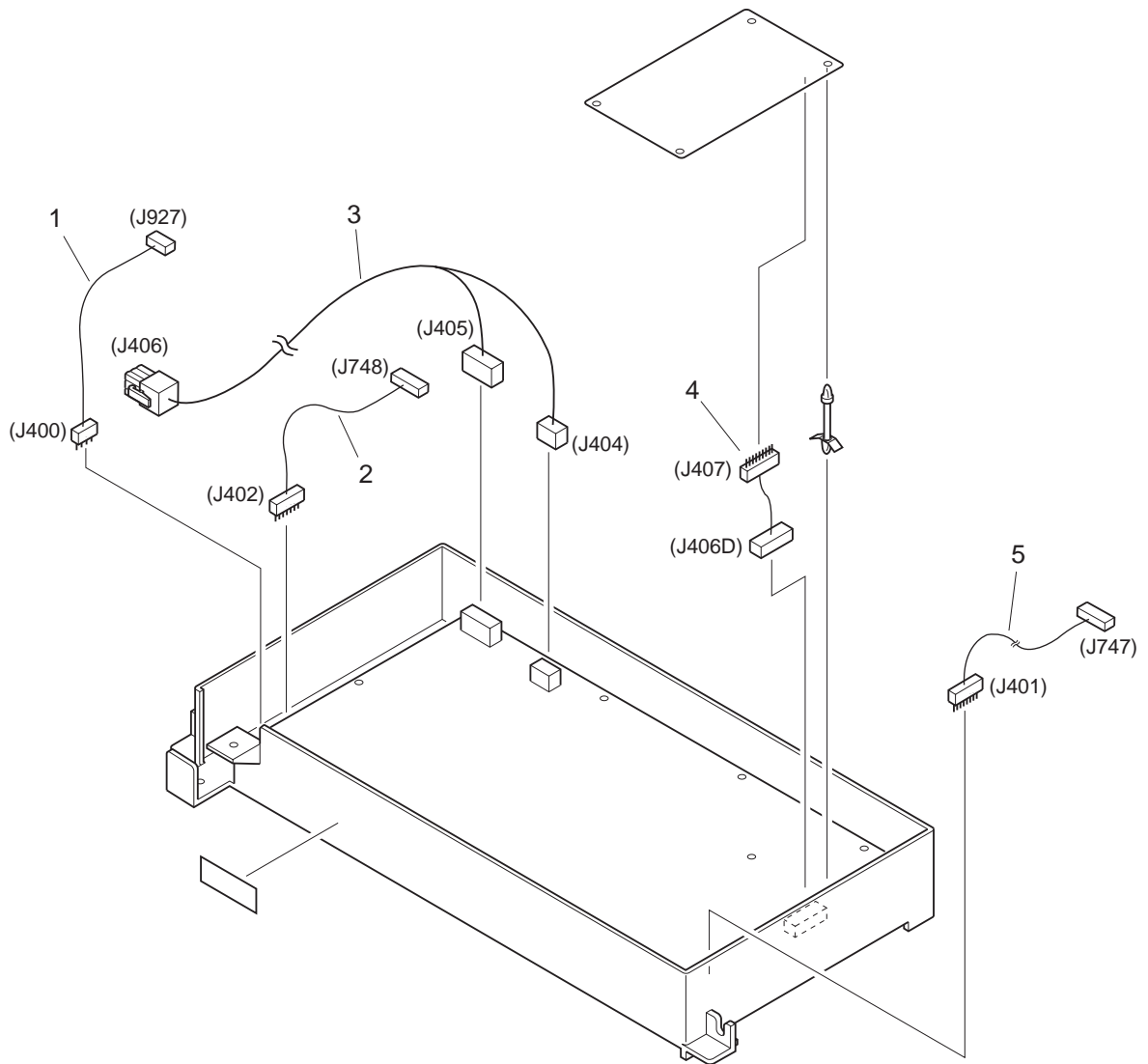


FIGURE & KEY NO.	PART NUMBER	RANK	QTY	DESCRIPTION	SERIAL NUMBER / REMARKS
980 -	FG6-0908-000		1	H.V. DEVELOPING PCB ASSEMBLY	
1	FF3-3451-000		1	CABLE, POWER SUPPLY	J400,927
2	FF3-3453-000		1	CABLE, SIGNAL, 2	J402,748
3	FF3-3454-000		1	CABLE, BIAS OUTPUT	J404-406
4	FF3-3512-000		1	CABLE, H.V.T.-DEV	J406,407D
5	FF3-3452-000		1	CABLE, SIGNAL, 1	J401,747
R543	FH4-9121-000		1	HV, RESISTOR, 2.30MF, 1W	
R554	FH4-9121-000		1	HV, RESISTOR, 2.30MF, 1W	
R614	FH4-9169-000		1	RESISTOR, 44MOHM, 0.091W	
R644	FH4-9169-000		1	RESISTOR, 44MOHM, 0.091W	
R765	FH4-9121-000		1	HV, RESISTOR, 2.30MF, 1W	
R840	FH4-9121-000		1	HV, RESISTOR, 2.30MF, 1W	
R870	FH4-9169-000		1	RESISTOR, 44MOHM, 0.091W	
R885	FH4-9169-000		1	RESISTOR, 44MOHM, 0.091W	
T501	FH3-0902-000		1	TRANSFORMER	
T502	FH3-0902-000		1	TRANSFORMER	
T503	FH3-0771-000		1	HV TRANSFORMER	
T504	FH3-0902-000		1	TRANSFORMER	
T505	FH3-0902-000		1	TRANSFORMER	
T506	FH3-0771-000		1	HV TRANSFORMER	

# FIGURE 981

## H.V. AC PCB ASSEMBLY

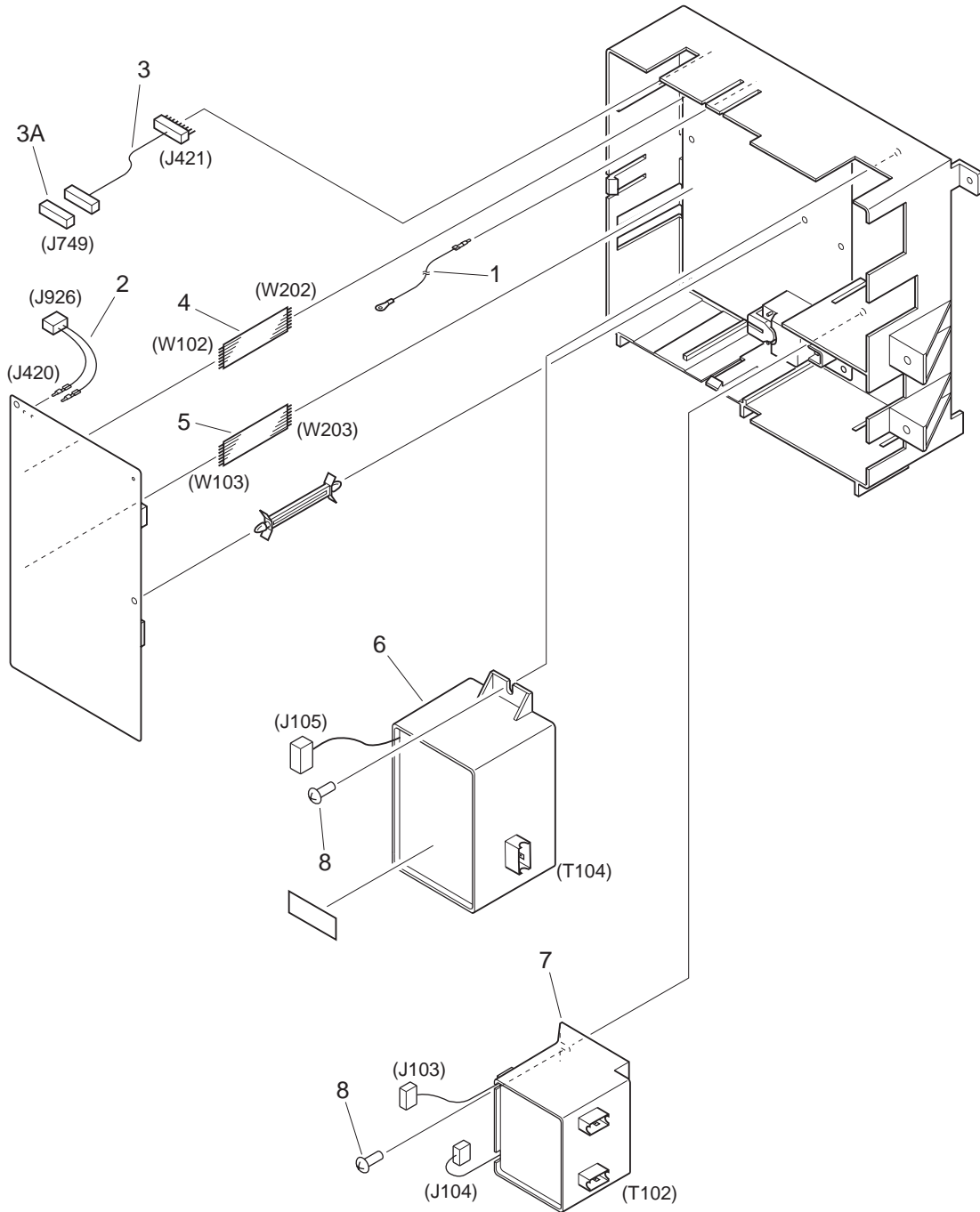


FIGURE & KEY NO.	PART NUMBER	RANK	QTY	DESCRIPTION	SERIAL NUMBER / REMARKS
981 -	FG6-0909-000		1	H.V. AC PCB ASSEMBLY	
1	FF2-0001-000		1	CABLE, GND	
2	FF3-3449-000		1	CABLE, POWER SUPPLY	J420,926
3	FF3-3450-000		1	CABLE, SIGNAL	J421,749
3A	VS1-5057-010		1	CONNECTOR, SNAP TIGHT	J749
4	FH2-6582-000		1	CABLE, FLAT	W102,202
5	FH2-6583-000		1	CABLE, FLAT	W103,203
6	FH3-0699-000		1	TRANSFORMER	T104 J105
7	FH3-0904-000		1	TRANSFORMER	T102 J103,104
8	XA9-0870-000		2	SCREW,P,M4X10	
RA101	FH4-9072-000		1	RESISTOR ARRAY	
T101	FH3-0697-000		1	TRANSFORMER	
T103	FH3-0515-000		1	TRANSFORMER	
T105	RH3-5025-000		1	TRANSFORMER, INVERTER	

# FIGURE 982 H.V. DC PCB ASSEMBLY

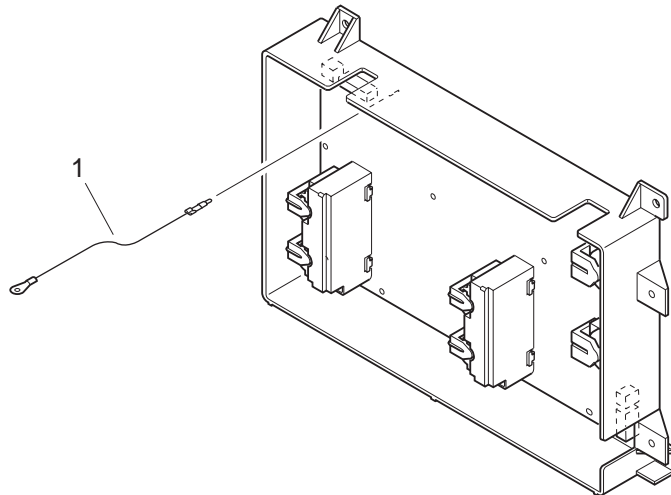


FIGURE & KEY NO.	PART NUMBER	RANK	QTY	DESCRIPTION	SERIAL NUMBER / REMARKS
982 -	FG6-0910-000		1	H.V. DC PCB ASSEMBLY	
1	FF3-3455-000		1	CABLE, GROUNDING	
IC301	FH4-6020-000		1	IC, MC-8534A, HYBRID	
R330	FH6-3341-000		1	RESISTOR, 10MOHM, 0.1W	
R342	FH4-9180-000		1	RESISTOR, 560KOHM, 1.45W	
T301	FH3-0651-000		1	TRANSFORMER	
T302	FH3-0651-000		1	TRANSFORMER	
T303	FH3-0538-000		1	TRANSFORMER	
T304	FH3-0903-000		1	H.V. AC TRANSFORMER	
T305	FH3-0903-000		1	H.V. AC TRANSFORMER	

# FIGURE 983 40V TRANSFORMER PCB ASSEMBLY

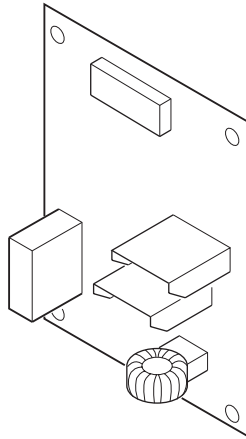
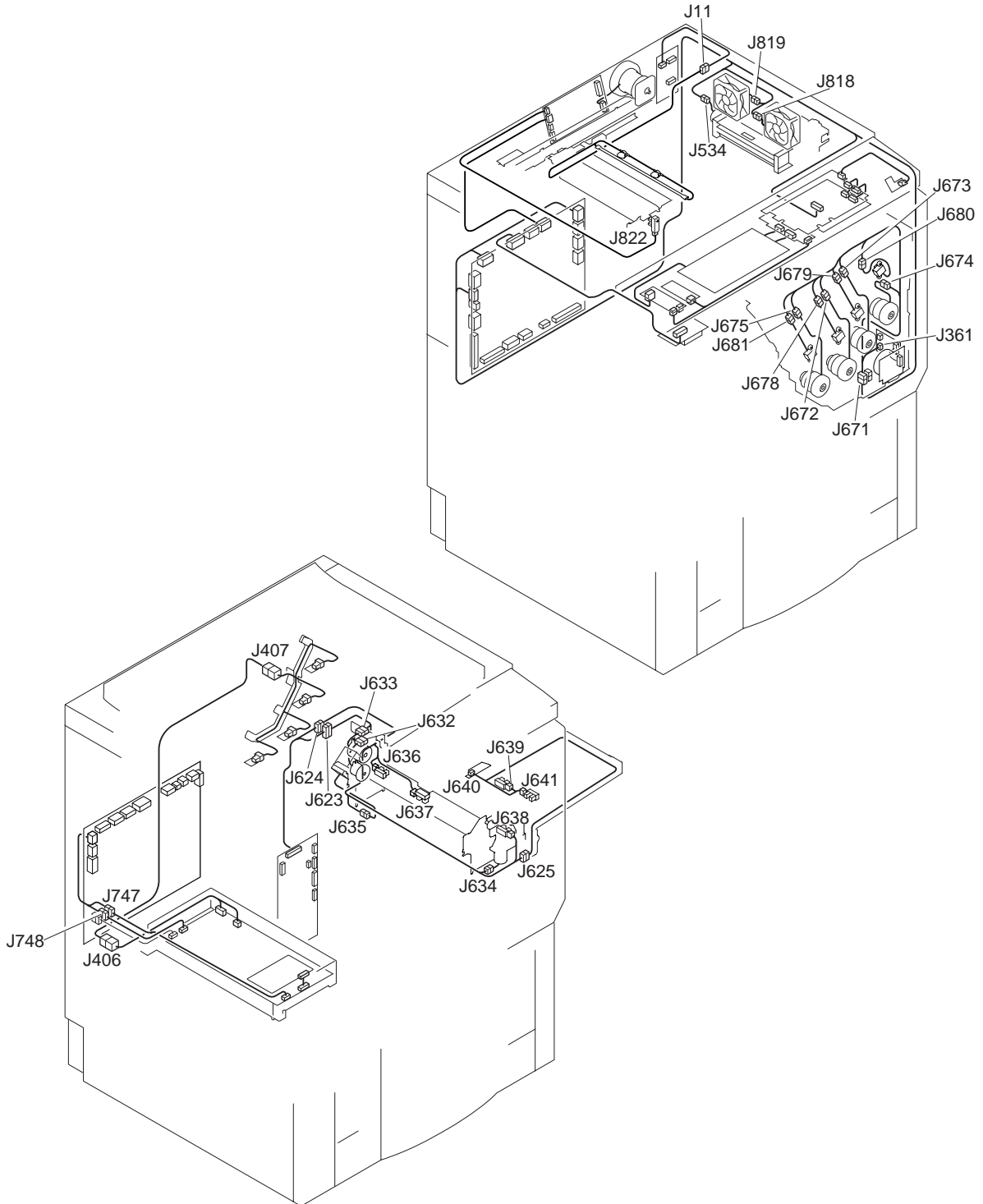


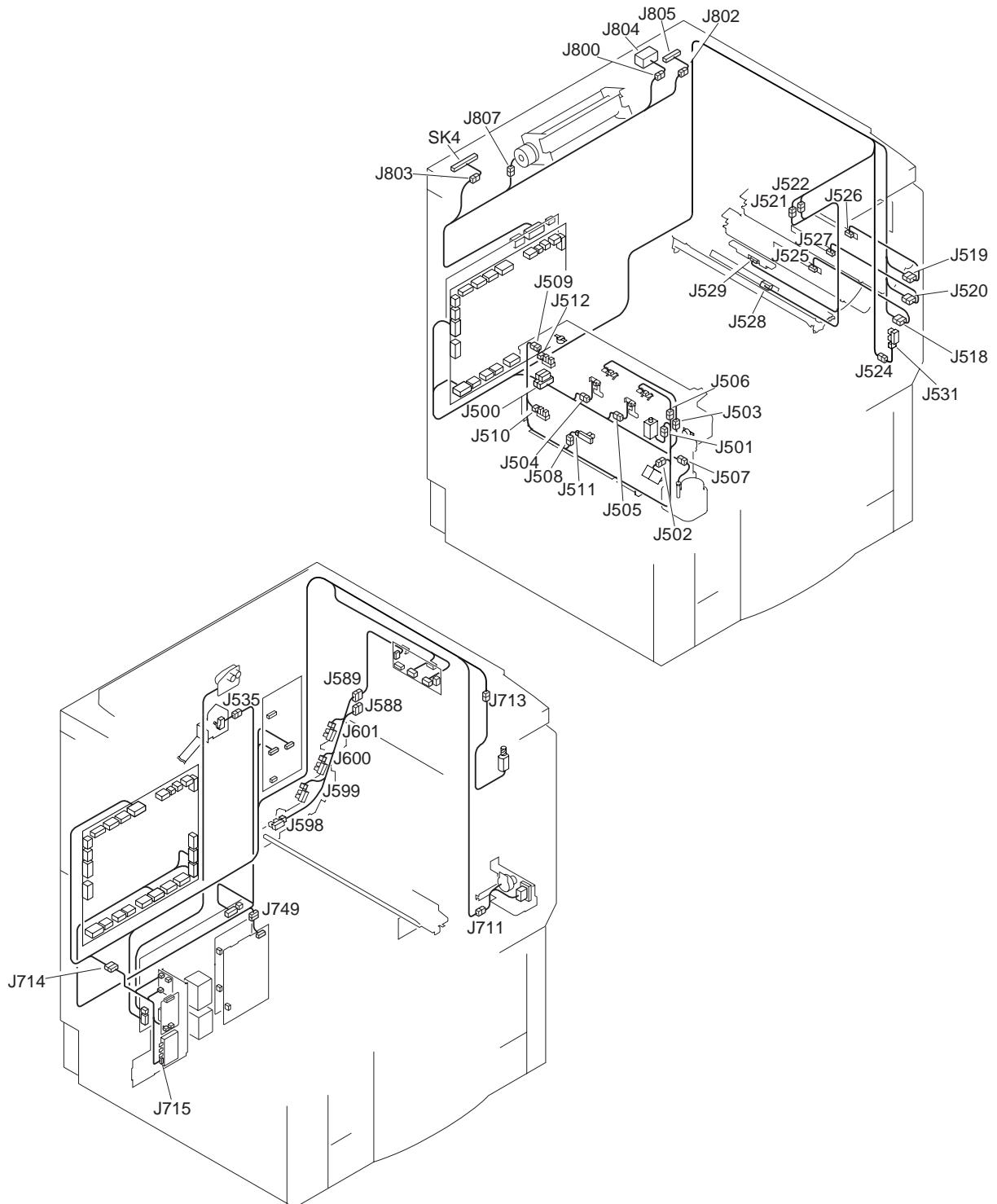
FIGURE & KEY NO.	PART NUMBER	RANK	QTY	DESCRIPTION	SERIAL NUMBER / REMARKS
983 -	FG6-2512-000		1	40V TRANSFORMER PCB ASSEMBLY	
L 1	FH3-0725-000		1	COIL, CHOKE	



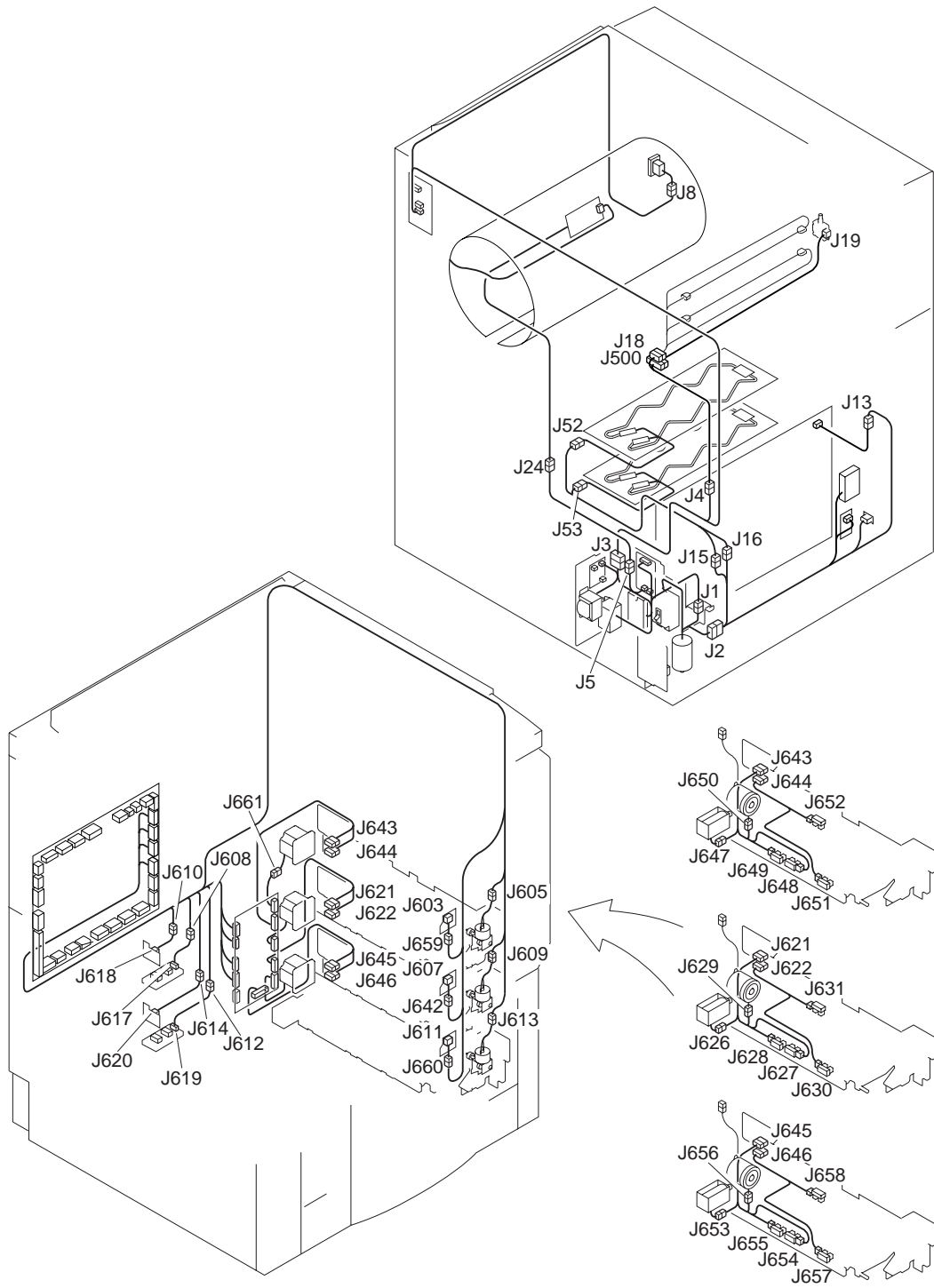
# FIGURE B LIST OF CONNECTORS (1/8)



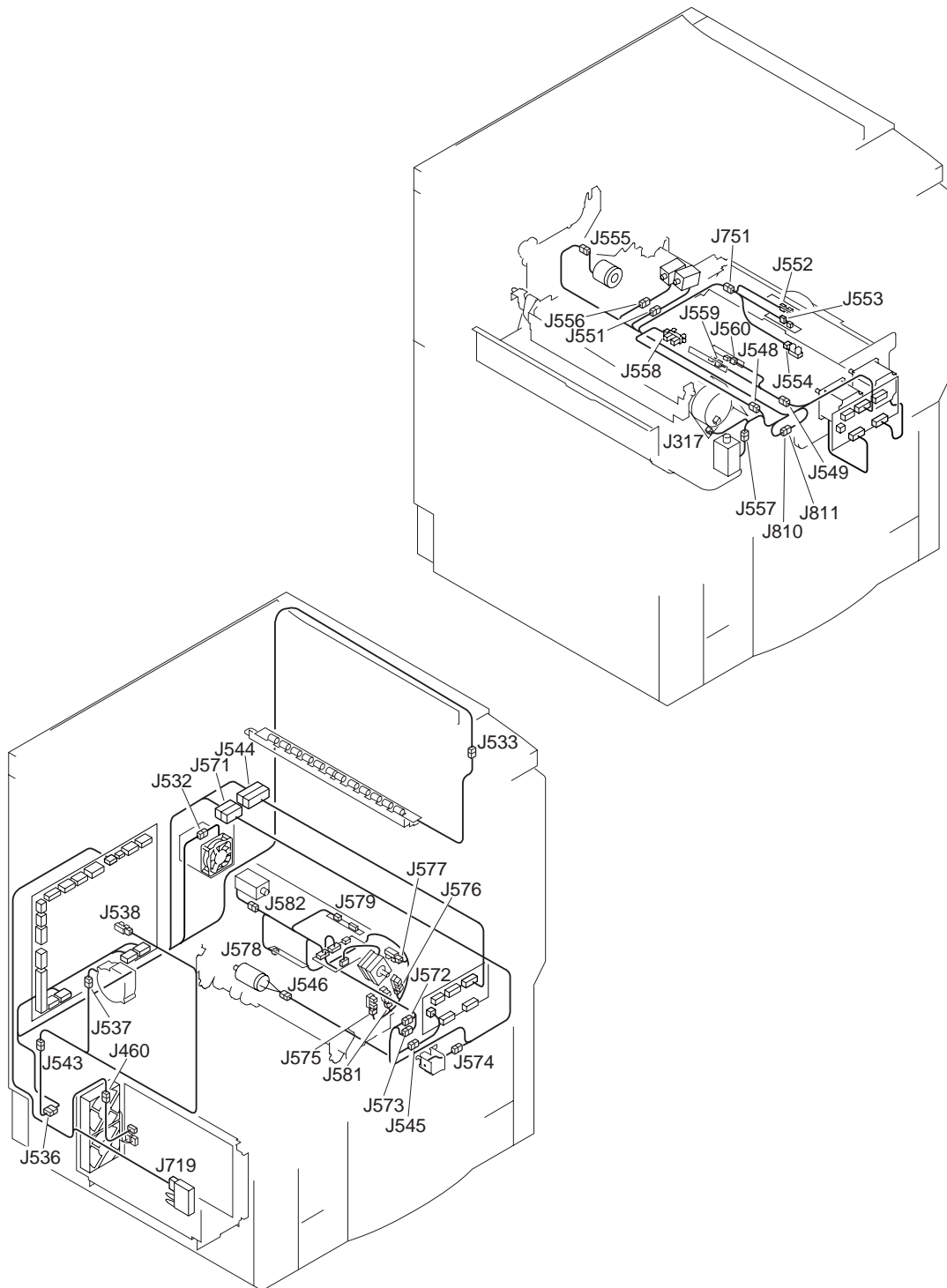
# FIGURE B LIST OF CONNECTORS (2/8)



# FIGURE B LIST OF CONNECTORS (3/8)

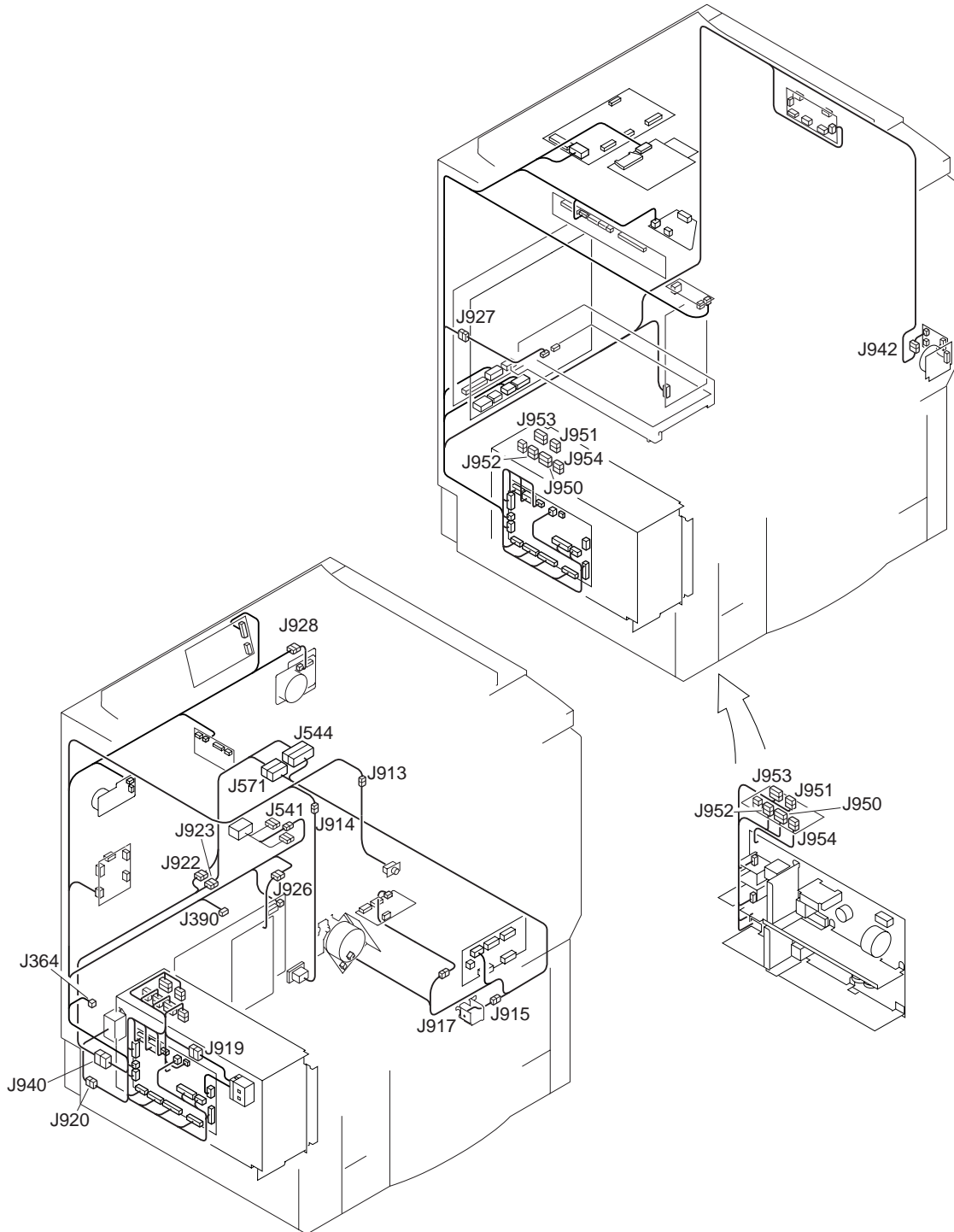


# FIGURE B LIST OF CONNECTORS (4/8)

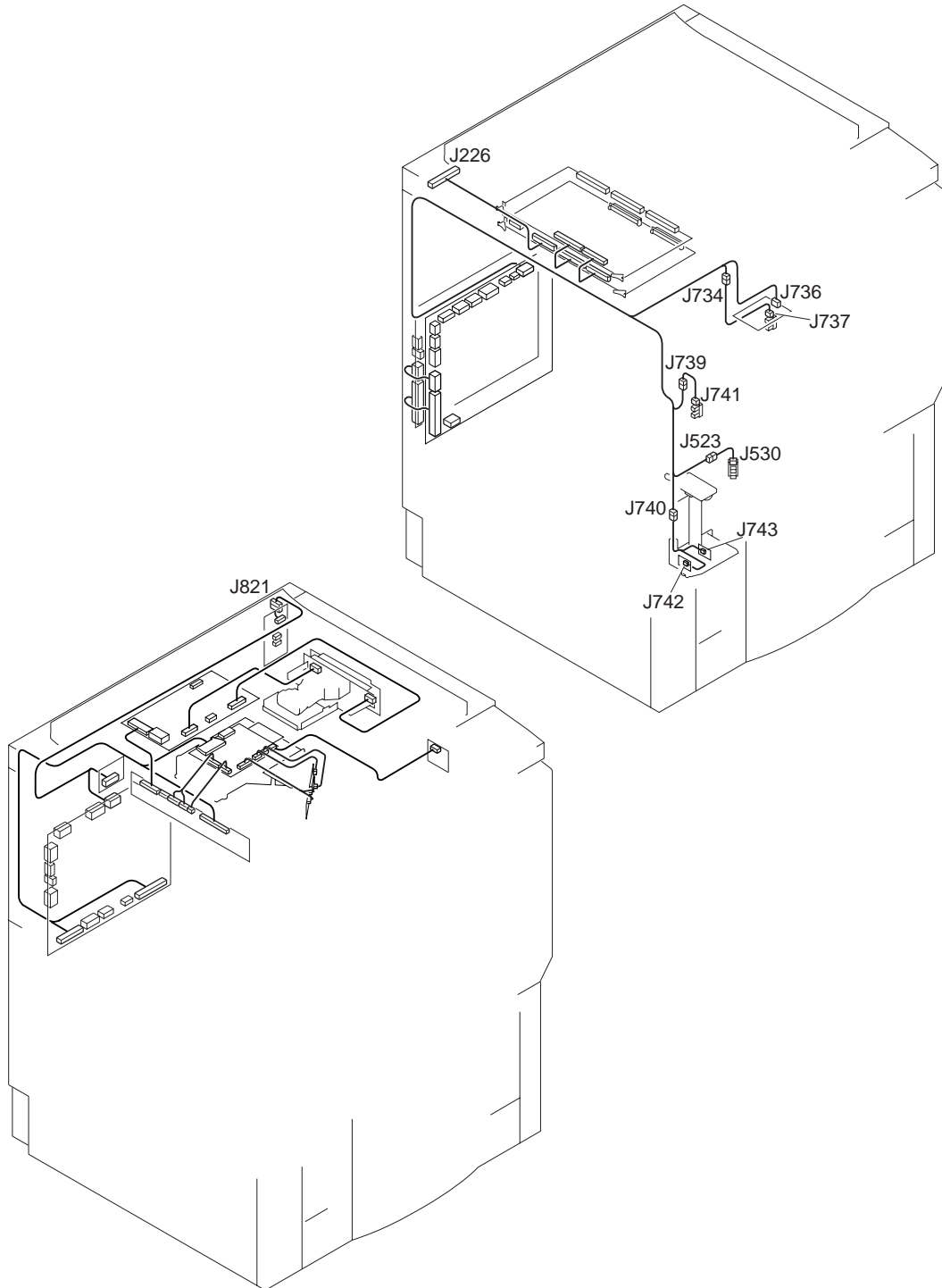


# FIGURE B

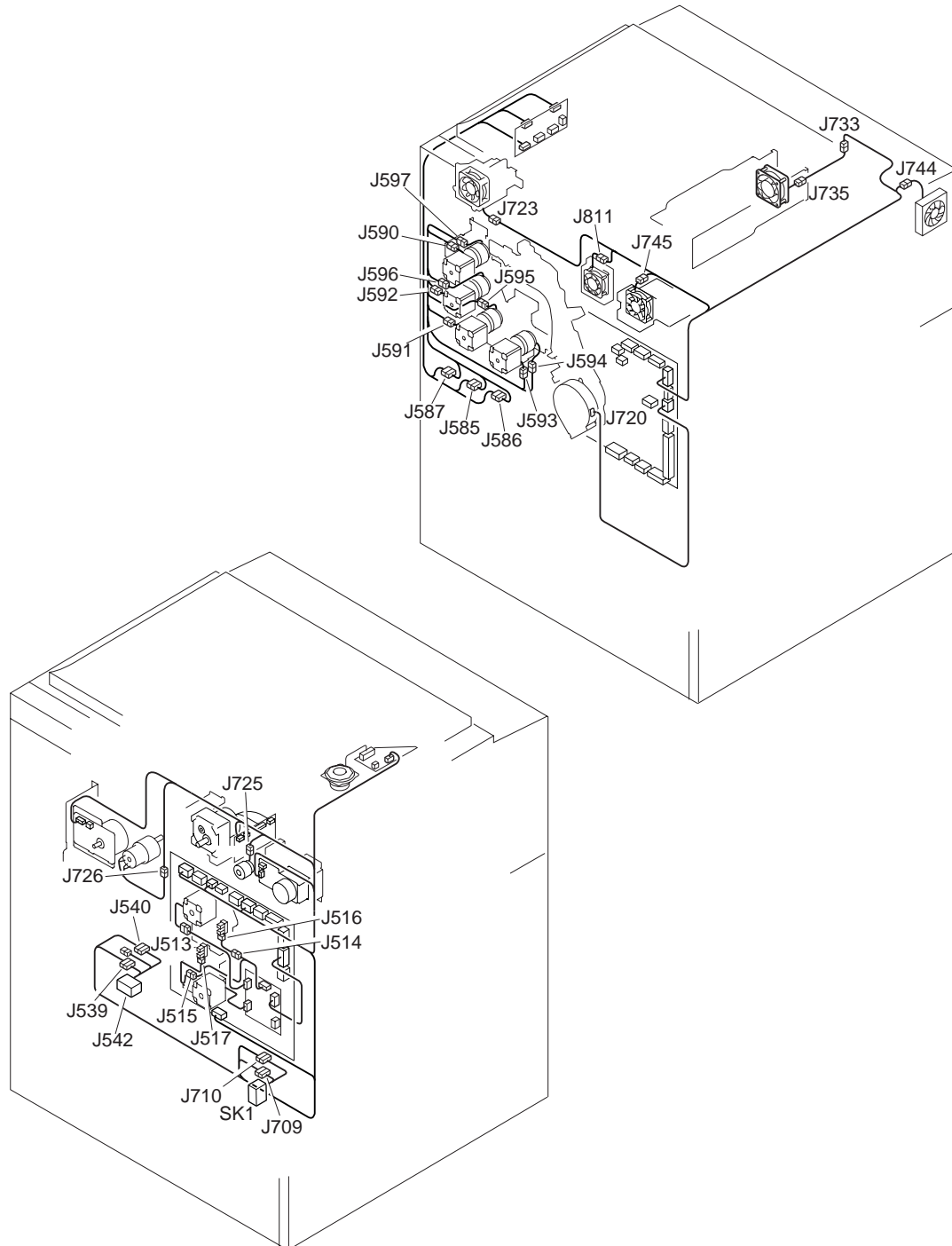
## LIST OF CONNECTORS (5/8)



# FIGURE B LIST OF CONNECTORS (6/8)



# FIGURE B LIST OF CONNECTORS (7/8)



# FIGURE B LIST OF CONNECTORS (8/8) (CLC1150)

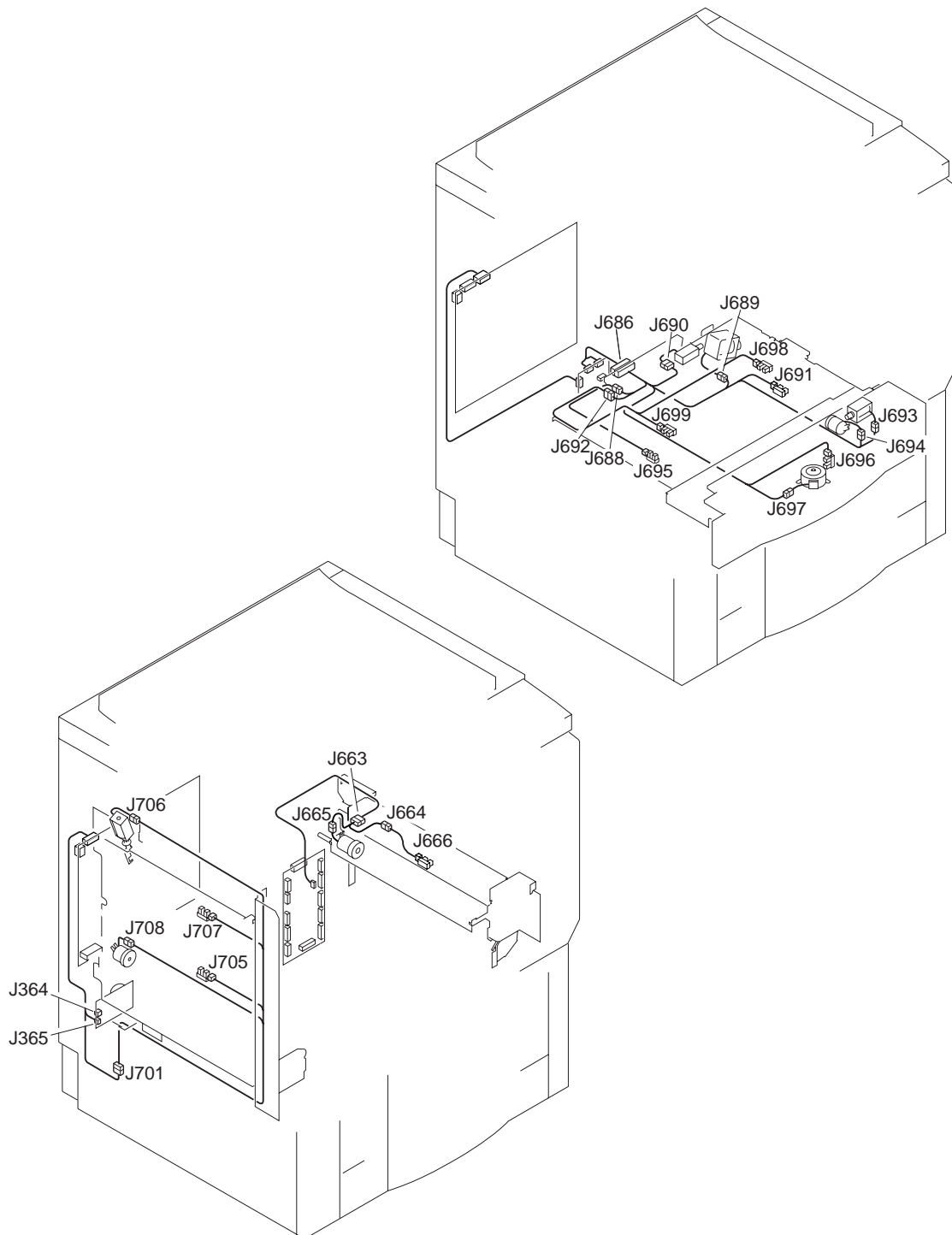




FIGURE & KEY NO.	PART NUMBER	RANK	QTY	DESCRIPTION	SERIAL NUMBER / REMARKS
B -	NPN		RF	LIST OF CONNECTORS	
BJ2010	PCB			BI CENTRO CONNECTOR BOARD	
	VS1-6313-020		1	CONNECTOR, 20P, FEMALE	
	VS1-6314-020		1	CONNECTOR, 20P, FEMALE	
	VT2-5161-040		1	HOLDER, CONNECTOR, 40P	
CJ2002	PCB			CCD DRIVER	
	VS1-0852-012		1	CONNECTOR, 12P, FEMALE	
DJ315	PCB			DC POWER SUPPLY	
	VS3-0111-002		1	CONNECTOR, 2P, MALE	
	WS3-1019-000		2	PIN, CONTACT, 22-28AWG	
DJ701	PCB			DC POWER SUPPLY	DCP1
	VS3-5083-007		1	CONNECTOR, 7P, FEMALE	
	WS3-5160-000		4	SOCKET CONTACT, 18-24AWG	
DJ713	PCB			DC POWER SUPPLY	
	NPN			POWER SUPPLY COOLING FAN 1	FM9
DJ714	PCB			DC POWER SUPPLY	DCP1
	NPN			POWER SUPPLY COOLING FAN 2	FM13
J 1	VS1-6380-006		1	CONNECTOR, 6P, MALE	
	VS3-5121-004		1	CONNECTOR, 4P, MALE	
	WS3-5292-000		2	SOCKET CONTACT	
	WS3-5526-000		4	SOCKET CONTACT, 16-22AWG	
	WS3-5527-000		2	SOCKET CONTACT, 16-22AWG	
J 2	VS1-6380-012		1	CONNECTOR, 12P, MALE	
	VS3-5121-012		1	CONNECTOR, 12P, MALE	
	WS3-5526-000		10	SOCKET CONTACT, 16-22AWG	
J 3	WS3-5527-000		10	SOCKET CONTACT, 16-22AWG	
	VS1-6380-012		1	CONNECTOR, 12P, MALE	
	VS3-5121-012		1	CONNECTOR, 12P, MALE	
	WS3-5526-000		12	SOCKET CONTACT, 16-22AWG	
	WS3-5527-000		12	SOCKET CONTACT, 16-22AWG	

FIGURE & KEY NO.	PART NUMBER	RANK	QTY	DESCRIPTION	SERIAL NUMBER / REMARKS	
B - J 4	FG6-0863-000		1	FIXING DRAWER CABLE UNIT		
	VS3-5121-006		1	CONNECTOR, 6P, MALE		
	WS3-5160-000		2	SOCKET CONTACT, 18-24AWG		
	J 5	VS1-5729-003		1	CONNECTOR, 3P, MALE	
		VS3-5083-003		1	CONNECTOR, 3P, FEMALE	
J 6	WS3-5160-000		2	SOCKET CONTACT, 18-24AWG		
	WS3-5301-000		2	PIN CONTACT		
	PCB			OIL PUMP DRIVER		
	VS3-5083-007		1	CONNECTOR, 7P, FEMALE		
	WS3-5160-000		2	SOCKET CONTACT, 18-24AWG		
J 7	PCB			OIL PUMP DRIVER		
	VS3-5083-003		1	CONNECTOR, 3P, FEMALE		
	WS3-5160-000		2	SOCKET CONTACT, 18-24AWG		
J 8	NPN			MAIN SWITCH	SW1	
	VS3-0192-004		1	CONNECTOR, 4P, MALE		
J 9	WS4-0073-000		4	SOCKET CONTACT, 14-20AWG		
	PCB			CVR		
	VS3-5083-004		1	CONNECTOR, 4P, FEMALE		
J 10	WS3-5160-000		2	SOCKET CONTACT, 18-24AWG		
	PCB			CVR		
J 11	VS4-0001-003		1	CONNECTOR, 3P, MALE		
	WS4-0219-000		2	PIN CONTACT, 18-22AWG		
	VS3-5083-003		1	CONNECTOR, 3P, FEMALE		
	WS3-5160-000		2	SOCKET CONTACT, 18-24AWG		
	FH2-6581-000		1	CABLE, LAMP CONNECTING		
J 13	VS1-5729-005		1	CONNECTOR, 5P, MALE		
	VS3-5083-005		1	CONNECTOR, 5P, FEMALE		
	WS3-5160-000		4	SOCKET CONTACT, 18-24AWG		
	WS3-5301-000		4	PIN CONTACT		
J 14	PCB			AC FUSE BOARD		

FIGURE & KEY NO.	PART NUMBER	RANK	QTY	DESCRIPTION	SERIAL NUMBER / REMARKS
B - J14	VS3-5083-003		1	CONNECTOR, 3P, FEMALE	
	WS3-5160-000		2	SOCKET CONTACT, 18-24AWG	
	J15	VS1-5729-003	1	CONNECTOR, 3P, MALE	120/220/240V
		VS1-6380-002	1	CONNECTOR, 2P, MALE	100V
	VS3-5121-002	1	CONNECTOR, 2P, MALE		
J16	WS3-5301-000		2	PIN CONTACT	120/220/240V
	WS3-5526-000		2	SOCKET CONTACT, 16-22AWG	
	WS3-5527-000		2	SOCKET CONTACT, 16-22AWG	100V
	VS1-5729-003	1	CONNECTOR, 3P, MALE	CLC1130 220/240V	
	VS1-6380-002	1	CONNECTOR, 2P, MALE	CLC1130 100V	
J18	VS3-5121-002		1	CONNECTOR, 2P, MALE	CLC1130
	WS3-5301-000		2	PIN CONTACT	CLC1130 220/240V
	WS3-5526-000		2	SOCKET CONTACT, 16-22AWG	CLC1130
	WS3-5527-000		2	SOCKET CONTACT, 16-22AWG	CLC1130 100V
	FG6-0859-000	1	CABLE, FIXING		
J19	FG6-0863-000		1	FIXING DRAWER CABLE UNIT	
	NPN			OIL PUMP	
J22	FG6-0859-000	1	CABLE, FIXING		
	NPN			DRUM HEATER	H3
	PCB			DRUM HEATER CONTROLLER	
J23	NPN			CHOKO COIL	220/240V L1
	VS3-5083-002	1	CONNECTOR, 2P, FEMALE	220/240V	
	WS3-5160-000	2	SOCKET CONTACT, 18-24AWG	220/240V	
J24	VS1-5730-003	1	CONNECTOR, 3P, MALE		
	VS3-5083-003	1	CONNECTOR, 3P, FEMALE		
J51	WS3-5160-000		2	SOCKET CONTACT, 18-24AWG	
	WS3-5301-000		1	PIN CONTACT	
	PCB			FIXING SSR CONTROL BOARD	220/240V
	VS3-5083-003	1	CONNECTOR, 3P, FEMALE	220/240V	
	WS3-5160-000	2	SOCKET CONTACT, 18-24AWG	220/240V	

FIGURE & KEY NO.	PART NUMBER	RANK	QTY	DESCRIPTION	SERIAL NUMBER / REMARKS
B - J52	NPN			CASET HEATER	H4
	VS4-0001-003		1	CONNECTOR, 3P, MALE	
	WS4-0219-000		2	PIN CONTACT, 18-22AWG	120/220/240V
	WS4-0220-000		2	PIN CONTACT, 22-26AWG	100V
J53	NPN			CASET HEATER	CLC1130 H5
	VS4-0001-003		1	CONNECTOR, 3P, MALE	CLC1130
	WS4-0219-000		2	PIN CONTACT, 18-22AWG	CLC1130 220/240V
	WS4-0220-000		2	PIN CONTACT, 22-26AWG	CLC1130 100V
J 200	PCB			IP MOTHER BOARD	
	VS3-5083-006		1	CONNECTOR, 6P, FEMALE	
J 201	PCB			IP MOTHER BOARD	
	VS1-6407-100		1	CONNECTOR, 100P, FEMALE	
J 202	PCB			IP MOTHER BOARD	
	VS1-6314-008		1	CONNECTOR, 8P, FEMALE	
J 203	PCB			IP MOTHER BOARD	
	VS1-6314-019		1	CONNECTOR, 19P, MALE	
J 204	PCB			IP MOTHER BOARD	
	VS1-6314-016		1	CONNECTOR, 16P, FEMALE	
J 205	PCB			IP MOTHER BOARD	
J 211	PCB			IP MAIN BOARD	
	VS1-1145-050		1	CONNECTOR, 50P, MALE	
J 212	PCB			IP MOTHER BOARD	
	VS1-1145-050		1	CONNECTOR, 50P, MALE	
J 213	PCB			IP MOTHER BOARD	
	VS1-1145-050		1	CONNECTOR, 50P, MALE	
J 214	PCB			IP MAIN BOARD	
	VS1-6407-080		1	CONNECTOR, 80P, FEMALE	
J 215	PCB			IP MAIN BOARD	

FIGURE & KEY NO.	PART NUMBER	RANK	QTY	DESCRIPTION	SERIAL NUMBER / REMARKS
B - J 215	VS1-6407-100		1	CONNECTOR, 100P, FEMALE	
J 221	PCB			IP-IF(ED) BOARD	
	PCB			IP MOTHER BOARD	
J 222	PCB			IP-IF(ED) BOARD	
	PCB			IP MOTHER BOARD	
J 223	PCB			IP-IF(ED) BOARD	
	VS1-6407-080		1	CONNECTOR, 80P, FEMALE	
J 224	PCB			IP-IF(ED) BOARD	
	VS1-6407-100		1	CONNECTOR, 100P, FEMALE	
J 225	PCB			IP-IF(ED) BOARD	
J 226	FG6-2416-000 ----- FG6-2416-000		1  1	CABLE, INTERFACE  TO CONTROLLER INTERFACE  CABLE, INTERFACE	
J 227	VS3-5083-002 WS3-5160-000		1 2	CONNECTOR, 2P, FEMALE SOCKET CONTACT, 18-24AWG	
J 231	PCB PCB			IP MOTHER BOARD ECOTRN BOARD	
J 232	PCB PCB			IP MOTHER BOARD ECOTRN BOARD	
J 251	PCB			ECOTRN BOARD	
J 300	PCB PCB VS3-5083-004 WS3-5160-000			IP-ECO BOARD TRANSFER DRUM PRESSURE DRIVER 1 CONNECTOR, 4P, FEMALE 4 SOCKET CONTACT, 18-24AWG	
J 301	PCB			TRANSFER DRUM PRESSURE DRIVER	
J 302	VS1-6313-010 VS1-6314-010 VT2-5161-020 PCB NPN		1 1 1	CONNECTOR, 10P, FEMALE CONNECTOR, 10P, FEMALE HOLDER, CONNECTOR, 20P TRANSFER DRUM PRESSURE DRIVER TRANSFER DRUM PRESS MOTOR	PM5

FIGURE & KEY NO.	PART NUMBER	RANK	QTY	DESCRIPTION	SERIAL NUMBER / REMARKS
B - J 303	PCB			TRANSFER DRUM PRESSURE DRIVER	
	VS1-5824-007		1	CONNECTOR, 7P, FEMALE	
	WS3-5358-000		6	SOCKET CONTACT, 22-26AWG	
J 304	PCB			TRANSFER DRUM PRESSURE DRIVER	
	VS1-6321-006		1	CONNECTOR, 6P, FEMALE	
J 310	PCB			HORIZONTAL PASS DRIVER	
	VS3-5083-004		1	CONNECTOR, 4P, FEMALE	
	WS3-5160-000		4	SOCKET CONTACT, 18-24AWG	
J 311	PCB			HORIZONTAL PASS DRIVER	
	VS1-6313-017		1	CONNECTOR, 17P, FEMALE	
J 312	VS1-6314-017		1	CONNECTOR, 17P, FEMALE	
	VT2-5161-034		1	HOLDER, CONNECTOR, 34P	
	PCB			HORIZONTAL PASS DRIVER	
	VS1-6313-014		1	CONNECTOR, 14P, FEMALE	
	VS1-6314-014		1	CONNECTOR, 14P, MALE	
J 313	VT2-5161-028		1	HOLDER, CONNECTOR, 28P	
	PCB			HORIZONTAL PASS DRIVER	
J 314	NPN			HORIZONTAL PASS MOTOR 1	PM8
	PCB			HORIZONTAL PASS DRIVER	
J 315	NPN			HORIZONTAL PASS MOTOR 2	PM9
	PCB			HORIZONTAL PASS DRIVER	
J 316	VS3-5083-002		1	CONNECTOR, 2P, FEMALE	
	WS3-5160-000		2	SOCKET CONTACT, 18-24AWG	
	NPN			TRANSFER CLEANING MOTOR	M8
J 317	VS3-5083-002		1	CONNECTOR, 2P, FEMALE	
	WS3-5160-000		2	SOCKET CONTACT, 18-24AWG	
J 320	NPN			TRANSFER CLEANER MOTOR	M8
	VS1-6321-003		1	CONNECTOR, 3P, FEMALE	
J 320	PCB			TRANSFER DRIVER	
	VS3-5083-004		1	CONNECTOR, 4P, FEMALE	

FIGURE & KEY NO.	PART NUMBER	RANK	QTY	DESCRIPTION	SERIAL NUMBER / REMARKS
B - J 320	WS3-5160-000		4	SOCKET CONTACT, 18-24AWG	
J 321	PCB			TRANSFER DRIVER	
	VS1-6313-010		1	CONNECTOR, 10P, FEMALE	
	VS1-6314-010		1	CONNECTOR, 10P, FEMALE	
	VT2-5161-020		1	HOLDER, CONNECTOR, 20P	
J 322	PCB			TRANSFER DRIVER	
	VS1-6313-011		1	CONNECTOR, 11P, FEMALE	
	VS1-6314-011		1	CONNECTOR, 11P, FEMALE	
	VT2-5161-022		1	HOLDER, CONNECTOR, 22P	
J 323	PCB			TRANSFER DRIVER	
J 330	NPN			BRUSH DRIVE MOTOR	PM7
	PCB			DEVELOPMENT PRESSURE DRIVER	
	VS3-5083-004		1	CONNECTOR, 4P, FEMALE	
	WS3-5160-000		4	SOCKET CONTACT, 18-24AWG	
J 331	PCB			DEVELOPMENT PRESSURE DRIVER	
J 332	VS1-6313-013		1	CONNECTOR, 13P, FEMALE	
	VS1-6314-013		1	CONNECTOR, 13P, FEMALE	
	VT2-5161-026		1	HOLDER, CONNECTOR, 26P	
	PCB			DEVELOPMENT PRESSURE DRIVER	
	VS1-6313-012		1	CONNECTOR, 12P, FEMALE	
J 333	VS1-6314-012		1	CONNECTOR, 12P, FEMALE	
	VT2-5161-024		1	HOLDER, CONNECTOR, 24P	
	PCB			DEVELOPMENT PRESSURE DRIVER	
	VS1-5824-012		1	CONNECTOR, 12P, FEMALE	
	WS3-5358-000		12	SOCKET CONTACT, 22-26AWG	
J 334	PCB			DEVELOPMENT PRESSURE DRIVER	
	VS1-5824-012		1	CONNECTOR, 12P, FEMALE	
	WS3-5358-000		12	SOCKET CONTACT, 22-26AWG	
J 335	PCB			DEVELOPMENT PRESSURE DRIVER	
	VS1-6314-008		1	CONNECTOR, 8P, FEMALE	

FIGURE & KEY NO.	PART NUMBER	RANK	QTY	DESCRIPTION	SERIAL NUMBER / REMARKS
B - J 336	PCB			DEVELOPMENT PRESSURE DRIVER	
	VS1-6314-012		1	CONNECTOR, 12P, FEMALE	
J 340	PCB			PAPER FEED DRIVER	
	VS3-5083-004		1	CONNECTOR, 4P, FEMALE	
	WS3-5160-000		4	SOCKET CONTACT, 18-24AWG	
J 341	PCB			PAPER FEED DRIVER	
	VS1-6313-018		1	CONNECTOR, 18P, FEMALE	
	VS1-6314-018		1	CONNECTOR, 18P, MALE	
	VT2-5161-036		1	HOLDER, CONNECTOR, 36P	
J 342	PCB			PAPER FEED DRIVER	
J 343	VS1-6314-011		1	CONNECTOR, 11P, FEMALE	
	PCB			PAPER FEED DRIVER	CLC1120/1130
	VS1-6321-006		1	CONNECTOR, 6P, FEMALE	CLC1120/1130
J 344	PCB			PAPER FEED DRIVER	CLC1130/1150
	VS1-6314-016		1	CONNECTOR, 16P, FEMALE	CLC1130/1150
J 345	PCB			PAPER FEED DRIVER	
	VS1-6313-014		1	CONNECTOR, 14P, FEMALE	
	VS1-6314-014		1	CONNECTOR, 14P, MALE	
	VT2-5161-028		1	HOLDER, CONNECTOR, 28P	
J 346	PCB			PAPER FEED DRIVER	CLC1120/1130
J 347	VS1-6314-017		1	CONNECTOR, 17P, FEMALE	CLC1120/1130
	PCB			PAPER FEED DRIVER	
	VS1-6314-016		1	CONNECTOR, 16P, FEMALE	
J 348	PCB			PAPER FEED DRIVER	CLC1130/1150
	VS1-6314-018		1	CONNECTOR, 18P, MALE	CLC1130/1150
J 349	PCB			PAPER FEED DRIVER	CLC1150
	VS1-6414-005		1	CONNECTOR, 5P, FEMALE	CLC1150
J 350	PCB			PAPER FEED DRIVER	
	VS3-5083-007		1	CONNECTOR, 7P, FEMALE	
	WS3-5160-000		6	SOCKET CONTACT, 18-24AWG	



FIGURE & KEY NO.	PART NUMBER	RANK	QTY	DESCRIPTION	SERIAL NUMBER / REMARKS
B - J 351	PCB			PAPER FEED DRIVER	
	NPN			PAPER FEED 2 MOTOR	PM11 DPM11
J 352	PCB			PAPER FEED DRIVER	CLC1130/1150
	NPN			PAPER FEED 3 MOTOR	CLC1130/1150 PM12 DPM13
J 360	PCB			HOPPER MOTOR DRIVER	M10
-----					
	VS3-5083-002		1	CONNECTOR, 2P, FEMALE	
	WS3-5160-000		2	SOCKET CONTACT, 18-24AWG	
J 361	NPN			HOPPER MOTOR	M10
	VS1-6321-004		1	CONNECTOR, 4P, FEMALE	
J 364	PCB			DUPLEX MOTOR DRIVER	CLC1150 M14
-----					
	VS3-5083-002		1	CONNECTOR, 2P, FEMALE	CLC1150
	WS3-5160-000		2	SOCKET CONTACT, 18-24AWG	CLC1150
J 365	NPN			DUPLEX MOTOR	CLC1150 M14
	VS1-6321-004		1	CONNECTOR, 4P, FEMALE	CLC1150
J 370	PCB			MAIN MOTOR DRIVER	M4
-----					
	VS3-5083-002		1	CONNECTOR, 2P, FEMALE	
	WS3-5160-000		2	SOCKET CONTACT, 18-24AWG	
J 371	PCB			MAIN MOTOR DRIVER	M4
	VS1-6321-004		1	CONNECTOR, 4P, FEMALE	
J 372	PCB			DRUM MOTOR DRIVER	M2
-----					
J 374	PCB			FIXING MOTOR DRIVER	M5
	VS3-5083-002		1	CONNECTOR, 2P, FEMALE	
	WS3-5160-000		2	SOCKET CONTACT, 18-24AWG	
J 375	NPN			FIXING MOTOR	M5
	VS1-6321-007		1	CONNECTOR, 7P, FEMALE	
-----					
J 376	PCB			SCANNER MOTOR DRIVER	M3
	VS3-5083-002		1	CONNECTOR, 2P, FEMALE	
	WS3-5160-000		2	SOCKET CONTACT, 18-24AWG	
J 377	PCB			SCANNER MOTOR DRIVER	M3
	VS1-6321-005		1	CONNECTOR, 5P, FEMALE	

FIGURE & KEY NO.	PART NUMBER	RANK	QTY	DESCRIPTION	SERIAL NUMBER / REMARKS
B - J 380	PCB			SCANNER MOTOR DRIVER	
	VS3-5083-008		1	CONNECTOR, 8P, FEMALE	
	WS3-5160-000		8	SOCKET CONTACT, 18-24AWG	
J 390	PCB			DUPLEX DECK DRIVER	CLC1150
	VS3-5083-004		1	CONNECTOR, 4P, FEMALE	CLC1150
J 391	WS3-5160-000		4	SOCKET CONTACT, 18-24AWG	CLC1150
	PCB			DUPLEX DECK DRIVER	CLC1150
	VS1-6313-010		1	CONNECTOR, 10P, FEMALE	CLC1150
	VS1-6314-010		1	CONNECTOR, 10P, FEMALE	CLC1150
	VT2-5161-020		1	HOLDER, CONNECTOR, 20P	CLC1130
J 400	PCB			DEVELOPING BIAS	
	VS1-5696-004		1	CONNECTOR, 4P, FEMALE	
J 401	PCB			DEVELOPING BIAS	
	VS1-5976-008		1	CONNECTOR, 8P, FEMALE	
J 402	PCB			DEVELOPING BIAS	
J 404	VS1-5976-007		1	CONNECTOR, 7P, FEMALE	
	PCB			DEVELOPING BIAS	
	VS3-5083-003		1	CONNECTOR, 3P, FEMALE	
	WS3-5160-000		2	SOCKET CONTACT, 18-24AWG	
J 405	PCB			DEVELOPING BIAS	
J 406	VS3-5083-005		1	CONNECTOR, 5P, FEMALE	
	WS3-5160-000		2	SOCKET CONTACT, 18-24AWG	
	VS4-0001-009		1	CONNECTOR, 9P, MALE	
	VS4-0002-009		1	CONNECTOR, 9P, FEMALE	
	WS4-0203-000		4	PIN CONTACT, 22-18AWG	
J 407	WS4-0217-000		4	SOCKET CONTACT, 22-18AWG	
	VS4-0001-009		1	CONNECTOR, 9P, MALE	
	VS4-0002-009		1	CONNECTOR, 9P, FEMALE	
	WS4-0217-000		4	SOCKET CONTACT, 22-18AWG	
	WS4-0219-000		4	PIN CONTACT, 18-22AWG	

FIGURE & KEY NO.	PART NUMBER	R A N K	Q T Y	DESCRIPTION	SERIAL NUMBER / REMARKS
B - J 410	PCB			HV-DC	
	VS3-5083-002		1	CONNECTOR, 2P, FEMALE	
	WS3-5160-000		2	SOCKET CONTACT, 18-24AWG	
J 411	PCB			HV-DC	
	VS1-6321-011		1	CONNECTOR, 11P, FEMALE	
J 412	PCB			HV-DC	
	VS3-0044-003		1	CONNECTOR, 3P, FEMALE	
	WS3-0916-000		3	SOCKET CONTACT, 18-24AWG	
J 420	PCB			HV-AC	
	WT1-0246-000		2	SOCKET CONTACT, AWG22-18	
J 421	PCB			HV-AC	
	VS1-5976-010		1	CONNECTOR, 10P, FEMALE	
J 430	PCB			OIL PUMP DRIVER	
	VS1-0279-003		1	CONNECTOR, 3P, FEMALE	
	WS3-0437-000		3	SOCKET CONTACT, 20-30AWG	
J 440	PCB			POTENTIAL MEASURING	
	VS1-0279-006		1	CONNECTOR, 6P, FEMALE	
	WS3-0469-000		3	SOCKET CONTACT, 26-30AWG	
J 441	PCB			POTENTIAL MEASURING	
	VS3-0044-003		1	CONNECTOR, 3P, FEMALE	
J 450	WS3-0916-000		3	SOCKET CONTACT, 18-24AWG	
	PCB			CVR	
	VS1-5976-010		1	CONNECTOR, 10P, FEMALE	
J 460	VS1-0279-003		1	CONNECTOR, 3P, FEMALE	
	VS3-0108-003		1	CONNECTOR, 3P, FEMALE	
J 500	WS3-0469-000		2	SOCKET CONTACT, 26-30AWG	
	WS3-0885-000		2	PIN CONTACT, 20-30AWG	
	FG6-0859-000		1	CABLE, FIXING	
	FG6-0863-000		1	FIXING DRAWER CABLE UNIT	
J 501	NPN		UPPER WEB DRIVE SOLENOID	SL1	

FIGURE & KEY NO.	PART NUMBER	RANK	QTY	DESCRIPTION	SERIAL NUMBER / REMARKS
B - J 501	FG6-0859-000		1	CABLE, FIXING	
J 502	NPN			LOWER WEB DRIVE SOLENOID	SL2
	FG6-0859-000		1	CABLE, FIXING	
J 503	NPN			FIXING UPPER THERMISTER 1	TH1
	FG6-0859-000		1	CABLE, FIXING	
J 504	NPN			FIXING LOWER THERMISTER 1	TH3
	FG6-0859-000		1	CABLE, FIXING	
J 505	NPN			FIXING LOWER THERMISTER 2	TH4
	FG6-0859-000		1	CABLE, FIXING	
J 506	NPN			FIXING UPPER THERMISTER 2	TH2
J 507	FG6-0859-000		1	CABLE, FIXING	
	NPN			OIL SENSOR	PS10
	FG6-0859-000		1	CABLE, FIXING	
	VS1-5057-003		1	CONNECTOR, SNAP TIGHT	
J 508	FG6-0859-000		1	CABLE, FIXING	
J 509	VS1-0842-003		1	CONNECTOR, 3P, FEMALE	
	FG6-0859-000		1	CABLE, FIXING	
	VS1-0842-003		1	CONNECTOR, 3P, FEMALE	
	VS1-5057-003		1	CONNECTOR, SNAP TIGHT	
J 510	NPN			LOWER WEB SENSOR	PS67
J 511	FG6-0859-000		1	CABLE, FIXING	
	NPN			INNER DELIVERY SENSOR	PS12
	VS1-0842-003		1	CONNECTOR, 3P, FEMALE	
J 512	NPN			UPPER WEB SENSOR	PS11
	VS1-0842-003		1	CONNECTOR, 3P, FEMALE	
J 513	NPN			TRANSFER CLEANER PRESS MOTOR	PM6
	VS1-5824-006		1	CONNECTOR, 6P, FEMALE	
	WS3-5358-000		6	SOCKET CONTACT, 22-26AWG	
	VS1-5057-006		1	CONNECTOR, SNAP TIGHT	
J 514	VS1-6321-003		2	CONNECTOR, 3P, FEMALE	

FIGURE & KEY NO.	PART NUMBER	RANK	QTY	DESCRIPTION	SERIAL NUMBER / REMARKS
B - J 514	VS1-5057-003		1	CONNECTOR, SNAP TIGHT	
J 515	VS1-6321-003		2	CONNECTOR, 3P, FEMALE	
	VS1-5057-003		1	CONNECTOR, SNAP TIGHT	
J 516	NPN			TRANSFER DRUM PRESS HP SENSOR	PS57
	VS1-6321-003		1	CONNECTOR, 3P, FEMALE	
J 517	NPN			TRANS. CLEANER PRES. HP SENSOR	PS59
	VS1-6321-003		1	CONNECTOR, 3P, FEMALE	
J 518	VS1-6321-007		1	CONNECTOR, 7P, FEMALE	
	VS1-0842-007		1	CONNECTOR, 7P, FEMALE	
	VS1-5057-007		1	CONNECTOR, SNAP TIGHT	
J 519	VS1-6321-006		1	CONNECTOR, 6P, FEMALE	
	VS1-0842-006		1	CONNECTOR, 6P, FEMALE	
	VS1-5057-006		1	CONNECTOR, SNAP TIGHT	
J 520	VS1-6321-008		1	CONNECTOR, 8P, FEMALE	
	VS1-0842-008		1	CONNECTOR, 8P, FEMALE	
J 521	VS1-5057-008		1	CONNECTOR, SNAP TIGHT	
	VS1-6321-005		2	CONNECTOR, 5P, FEMALE	
	VS1-5057-005		1	CONNECTOR, SNAP TIGHT	
J 522	VS1-6321-006		1	CONNECTOR, 6P, FEMALE	
	VS1-0842-006		1	CONNECTOR, 6P, FEMALE	
J 523	VS1-5057-006		1	CONNECTOR, SNAP TIGHT	
	VS1-0842-003		1	CONNECTOR, 3P, FEMALE	
	VS1-6321-003		1	CONNECTOR, 3P, FEMALE	
	VS1-5057-003		1	CONNECTOR, SNAP TIGHT	
J 524	VS1-6321-003		2	CONNECTOR, 3P, FEMALE	
J 525	VS1-5057-003		1	CONNECTOR, SNAP TIGHT	
	PCB			M TONER ATR SENSOR	
	VS1-0842-006		1	CONNECTOR, 6P, FEMALE	
J 526	PCB			Y TONER ATR SENSOR	
	VS1-0842-006		1	CONNECTOR, 6P, FEMALE	

FIGURE & KEY NO.	PART NUMBER	RANK	QTY	DESCRIPTION	SERIAL NUMBER / REMARKS
B - J 527	PCB			C TONER ATR SENSOR	
	VS1-0842-006		1	CONNECTOR, 6P, FEMALE	
J 528	NPN			FRONT CLEANER SENSOR	PS71
	VS1-6314-005		1	CONNECTOR, 5P, FEMALE	
J 529	PCB			BLACK TONER DENSITY SENSOR	
-----					
	VS1-0842-006		1	CONNECTOR, 6P, FEMALE	
J 530	NPN			RIGHT DOOR SENSOR	PS41
	VS1-0842-003		1	CONNECTOR, 3P, FEMALE	
J 531	NPN			PAPER FEED DOOR SENSOR	PS44
	VS1-6321-003		1	CONNECTOR, 3P, FEMALE	
-----					
J 532	NPN			TONNER INTAKE FAN	FM6
	VS1-6321-003		1	CONNECTOR, 3P, FEMALE	
	VS1-5057-003		1	CONNECTOR, SNAP TIGHT	
J 533	NPN			FRONT EXPOSURE LAMP	LA1
	VS1-0842-002		1	CONNECTOR, 2P, FEMALE	
-----					
	VS1-5057-002		1	CONNECTOR, SNAP TIGHT	
J 534	NPN			ELECTRICAL COOLING FAN	FM8
	VS1-6321-003		1	CONNECTOR, 3P, FEMALE	
	VS1-5057-003		1	CONNECTOR, SNAP TIGHT	
J 535	VS1-0842-002		1	CONNECTOR, 2P, FEMALE	
-----					
	VS1-6321-002		1	CONNECTOR, 2P, FEMALE	
	VS1-5057-002		1	CONNECTOR, SNAP TIGHT	
J 536	VS1-6321-006		2	CONNECTOR, 6P, FEMALE	
	VS1-5057-006		1	CONNECTOR, SNAP TIGHT	
J 537	NPN			DELIVERY COOLING FAN	FM11
-----					
	VS1-6321-003		1	CONNECTOR, 3P, FEMALE	
	VS1-5057-003		1	CONNECTOR, SNAP TIGHT	
J 538	NPN			OUTER DELIVERY SENSOR	CLC1150 PS31
	VS1-6321-003		1	CONNECTOR, 3P, FEMALE	
J 539	VS1-0842-012		1	CONNECTOR, 12P, FEMALE	

FIGURE & KEY NO.	PART NUMBER	RANK	QTY	DESCRIPTION	SERIAL NUMBER / REMARKS
B - J 539	VS1-6321-012		1	CONNECTOR, 12P, MALE	
	VS1-5057-012		1	CONNECTOR, SNAP TIGHT	
J 540	VS1-0842-011		1	CONNECTOR, 11P, FEMALE	
	VS1-5057-011		1	CONNECTOR, SNAP TIGHT	
	VS1-6321-011		1	CONNECTOR, 11P, FEMALE	
J 541	VS1-5729-004		1	CONNECTOR, 4P, MALE	
	VS3-5083-004		1	CONNECTOR, 4P, FEMALE	
	WS3-5160-000		4	SOCKET CONTACT, 18-24AWG	
	WS3-5301-000		1	PIN CONTACT	
J 542	-----			TO 2.5K DECK SOCKET	
J 543	FH2-5829-040		1	CONNECTOR, 28P, FEMALE	
	FH2-5820-000		28	PIN CONTACT, 22-26AWG	
	VS1-6321-003		2	CONNECTOR, 3P, FEMALE	CLC1120/1130
	VS1-5057-003		1	CONNECTOR, SNAP TIGHT	CLC1120/1130
J 544	FG6-0948-000		1	CABLE, TRANSFER FRAME DRAWER	
	VS1-6313-020		1	CONNECTOR, 20P, FEMALE	
	VS1-6314-020		1	CONNECTOR, 20P, FEMALE	
	VS1-6327-040		1	CONNECTOR, 40P, FEMALE	
	VT2-5161-040		1	HOLDER, CONNECTOR, 40P	
	WS3-5609-000		3	SOCKET CONTACT, 12-14AWG	
J 545	VS1-5729-002		1	CONNECTOR, 2P, MALE	
	VS3-5083-002		1	CONNECTOR, 2P, FEMALE	
	WS3-5160-000		2	SOCKET CONTACT, 18-24AWG	
	WS3-5301-000		2	PIN CONTACT	
J 546	NPN			GRID ROLLER DRIVE MOTOR	M9
J 548	VS1-0279-002		1	CONNECTOR, 2P, FEMALE	
	WS3-0437-000		2	SOCKET CONTACT, 20-30AWG	
	VS1-0842-003		1	CONNECTOR, 3P, FEMALE	
	VS1-6321-003		1	CONNECTOR, 3P, FEMALE	
	VS1-5057-003		1	CONNECTOR, SNAP TIGHT	

FIGURE & KEY NO.	PART NUMBER	RANK	QTY	DESCRIPTION	SERIAL NUMBER / REMARKS
B - J 549	VS1-6321-005		2	CONNECTOR, 5P, FEMALE	
	VS1-5057-005		1	CONNECTOR, SNAP TIGHT	
J 551	NPN			ATTRACTION GUIDE SOLENOID	SL6
	VS1-6321-002		1	CONNECTOR, 2P, FEMALE	
	VS1-5057-002		1	CONNECTOR, SNAP TIGHT	
J 552	NPN			OHP LED SENSOR	PS70L
	VS1-6321-002		1	CONNECTOR, 2P, FEMALE	
J 553	NPN			OHP SENSOR	PS70S
	VS1-6321-003		1	CONNECTOR, 3P, FEMALE	
J 554	NPN			REGIST FRONT SENSOR	PS30
J 555	VS1-6321-003		1	CONNECTOR, 3P, FEMALE	
	NPN			REGISTRATION CLUTCH	CL9
	VS1-6321-002		1	CONNECTOR, 2P, FEMALE	
	VS1-5057-002		1	CONNECTOR, SNAP TIGHT	
J 556	NPN			REGISTRATION REMOVE SOLENOID	SL5
J 557	VS1-6321-002		1	CONNECTOR, 2P, FEMALE	
	VS1-5057-002		1	CONNECTOR, SNAP TIGHT	
	NPN			SEPARATE CLAW SOLENOID	SL4
	VS1-6321-002		1	CONNECTOR, 2P, FEMALE	
	VS1-5057-002		1	CONNECTOR, SNAP TIGHT	
J 558	NPN			SEPARATION SENSOR	PS7
	VS1-0842-003		1	CONNECTOR, 3P, FEMALE	
J 559	NPN			FRONT REGISTRATION LED SENSOR	PS69L
	VS1-6321-002		1	CONNECTOR, 2P, FEMALE	
J 560	NPN			FRONT REGISTRATION SENSOR	PS69S
J 571	VS1-6321-003		1	CONNECTOR, 3P, FEMALE	
	FG6-0948-000		1	CABLE, TRANSFER FRAME DRAWER	
	VS1-6313-012		1	CONNECTOR, 12P, FEMALE	
	VS1-6314-012		1	CONNECTOR, 12P, FEMALE	
	VT2-5161-024		1	CONNECTOR, 24P, FEMALE	



FIGURE & KEY NO.	PART NUMBER	RANK	QTY	DESCRIPTION	SERIAL NUMBER / REMARKS
B - J 571	WS3-5608-000		2	PIN, CONTACT	
	WS3-5609-000		2	SOCKET CONTACT, 12-14AWG	
J 572	VS1-6313-010		2	CONNECTOR, 10P, FEMALE	
	VS1-6318-010		1	CONNECTOR, SNAP TIGHT	
J 573	VS1-6314-009		2	CONNECTOR, 9P, FEMALE	
J 574	VS1-6318-009		1	CONNECTOR, SNAP TIGHT	
	VS1-0842-002		1	CONNECTOR, 2P, FEMALE	
	VS1-6321-002		1	CONNECTOR, 2P, FEMALE	
	VS1-5057-002		1	CONNECTOR, SNAP TIGHT	
J 575	NPN		A SIZE SENSOR	PS2	
J 576	VS1-6321-003		1	CONNECTOR, 3P, FEMALE	
	NPN			C SIZE SENSOR	PS4
J 577	VS1-6321-003		1	CONNECTOR, 3P, FEMALE	
	NPN			BRUSH MOTOR HP SENSOR	PS8
J 578	VS1-6321-003		1	CONNECTOR, 3P, FEMALE	
	NPN			TRANSFER FRONT JAM SENSOR	PS5
J 579	VS1-6321-003		1	CONNECTOR, 3P, FEMALE	
	NPN			TRANSFER REAR JAM SENSOR	PS6
J 581	NPN			B SIZE SENSOR	PS3
J 582	VS1-6320-003		1	CONNECTOR, 3P, MALE	
	NPN			SEPARATION PUSH-UP SOLENOID	SL3
	VS1-6321-002		1	CONNECTOR, 2P, FEMALE	
J 585	VS1-5057-002		1	CONNECTOR, SNAP TIGHT	
	VS1-5824-012		2	CONNECTOR, 12P	
J 586	WS3-5358-000		24	SOCKET CONTACT, 22-26AWG	
	VS1-5057-012		1	CONNECTOR, SNAP TIGHT	
	VS1-5824-013		2	CONNECTOR, 13P, FEMALE	
	WS3-5358-000		24	SOCKET CONTACT, 22-26AWG	
	VS1-5057-013		1	CONNECTOR, SNAP TIGHT	

FIGURE & KEY NO.	PART NUMBER	RANK	QTY	DESCRIPTION	SERIAL NUMBER / REMARKS
B - J 587	VS1-6321-008		2	CONNECTOR, 8P, FEMALE	
	VS1-5057-008		1	CONNECTOR, SNAP TIGHT	
J 588	VS1-6321-007		2	CONNECTOR, 7P, FEMALE	
	VS1-5057-007		1	CONNECTOR, SNAP TIGHT	
J 589	VS1-6321-006		2	CONNECTOR, 6P, FEMALE	
	VS1-5057-006		1	CONNECTOR, SNAP TIGHT	
J 590	NPN			DEVELOPING PRESSURE MOTOR 3	PM3
	VS1-5824-006		1	CONNECTOR, 6P, FEMALE	
	WS3-5358-000		6	SOCKET CONTACT, 22-26AWG	
	VS1-5057-006		1	CONNECTOR, SNAP TIGHT	
J 591	NPN			DEVELOPING PRESSURE MOTOR 1	PM1
	VS1-5824-006		1	CONNECTOR, 6P, FEMALE	
	WS3-5358-000		6	SOCKET CONTACT, 22-26AWG	
	VS1-5057-006		1	CONNECTOR, SNAP TIGHT	
J 592	NPN			DEVELOPING PRESSURE MOTOR 2	PM2
	VS1-5824-006		1	CONNECTOR, 6P, FEMALE	
	WS3-5358-000		6	SOCKET CONTACT, 22-26AWG	
	VS1-5057-006		1	CONNECTOR, SNAP TIGHT	
J 593	NPN			DEVELOPING PRESSURE MOTOR 4	PM4
	VS1-5824-006		1	CONNECTOR, 6P, FEMALE	
J 594	NPN			K SLEEVE DRIVE CLUTCH	CL4
	WS3-5358-000		6	SOCKET CONTACT, 22-26AWG	
	VS1-5057-006		1	CONNECTOR, SNAP TIGHT	
	VS1-6321-002		1	CONNECTOR, 2P, FEMALE	
	VS1-5057-002		1	CONNECTOR, SNAP TIGHT	
J 595	NPN			M SLEEVE DRIVE CLUTCH	CL1
	VS1-6321-002		1	CONNECTOR, 2P, FEMALE	
	VS1-5057-002		1	CONNECTOR, SNAP TIGHT	
J 596	NPN			C SLEEVE DRIVE CLUTCH	CL2
	VS1-6321-002		1	CONNECTOR, 2P, FEMALE	

FIGURE & KEY NO.	PART NUMBER	RANK	QTY	DESCRIPTION	SERIAL NUMBER / REMARKS
B - J 596	VS1-5057-002		1	CONNECTOR, SNAP TIGHT	
J 597	NPN			Y SLEEVE DRIVE CLUTCH	CL3
	VS1-6321-002		1	CONNECTOR, 2P, FEMALE	
	VS1-5057-002		1	CONNECTOR, SNAP TIGHT	
J 598	NPN			K DEVELOP. PRESSURE HP SENSOR	PS55
-----					
	VS1-6321-003		1	CONNECTOR, 3P, FEMALE	
J 599	NPN			M DEVELOP. PRESSURE HP SENSOR	PS49
	VS1-6321-003		1	CONNECTOR, 3P, FEMALE	
J 600	NPN			C DEVELOP. PRESSURE HP SENSOR	PS51
	VS1-6321-003		1	CONNECTOR, 3P, FEMALE	
-----					
J 601	NPN			Y DEVELOP. PRESSURE HP SENSOR	PS53
	VS1-6321-003		1	CONNECTOR, 3P, FEMALE	
J 602	PCB			SCANNER MOTOR DRIVER	
	VS1-6313-009		1	CONNECTOR, 9P, FEMALE	
	VS1-6314-009		1	CONNECTOR, 9P, FEMALE	
-----					
	VT2-5161-018		1	HOLDER, CONNECTOR, 18P	
J 603	NPN			CASSETTE 1 PAPER SENSOR	CLC1120/1130 VR2
	VS1-6321-003		1	CONNECTOR, 3P, FEMALE	CLC1120/1130
J 604	PCB			SCANNER MOTOR DRIVER	
	VS1-6321-003		1	CONNECTOR, 3P, FEMALE	
-----					
J 605	NPN			CASSETTE 1 LIFTER MOTOR	CLC1120/1130 M11
	VS1-6321-002		1	CONNECTOR, 2P, FEMALE	CLC1120/1130
	VS1-5057-002		1	CONNECTOR, SNAP TIGHT	CLC1120/1130
J 607	NPN			CASSETTE 2 PAPER SENSOR	VR4 DVR4
	VS1-6321-003		1	CONNECTOR, 3P, FEMALE	
-----					
J 608	VS1-0842-004		1	CONNECTOR, 4P, FEMALE	CLC1120
	VS1-6321-004		1	CONNECTOR, 4P, FEMALE	CLC1120
	VS1-5057-004		1	CONNECTOR, SNAP TIGHT	CLC1120
J 609	NPN			CASSETTE 2 LIFTER MOTOR	M12 DM12
	VS1-6321-002		1	CONNECTOR, 2P, FEMALE	

FIGURE & KEY NO.	PART NUMBER	RANK	QTY	DESCRIPTION	SERIAL NUMBER / REMARKS
B - J 609	VS1-5057-002		1	CONNECTOR, SNAP TIGHT	
J 610	VS1-0842-003		1	CONNECTOR, 3P, FEMALE	CLC1120
	VS1-6321-003		1	CONNECTOR, 3P, FEMALE	CLC1120
	VS1-5057-003		1	CONNECTOR, SNAP TIGHT	CLC1120
J 611	VS1-6321-003		1	CONNECTOR, 3P, FEMALE	CLC1130/1150
J 612	NPN			CASSETTE 3 PAPER SENSOR	CLC1130/1150 VR6 DVR6
	VS1-0842-004		1	CONNECTOR, 4P, FEMALE	CLC1130/1150
	VS1-6321-004		1	CONNECTOR, 4P, FEMALE	CLC1130/1150
	VS1-5057-004		1	CONNECTOR, SNAP TIGHT	CLC1130/1150
J 613	NPN			CASSETTE 3 LIFTER MOTOR	CLC1130/1150 M13 DM13
J 614	VS1-6321-002		1	CONNECTOR, 2P, FEMALE	CLC1130/1150
	VS1-5057-002		1	CONNECTOR, SNAP TIGHT	CLC1130/1150
	VS1-0842-003		1	CONNECTOR, 3P, FEMALE	CLC1130/1150
	VS1-5057-003		1	CONNECTOR, SNAP TIGHT	CLC1130/1150
	VS1-6321-003		1	CONNECTOR, 3P, FEMALE	CLC1130/1150
J 617	NPN			CASSETTE 2 PAPER LENGTH SENSOR	CLC1120 PSU2
	VS1-0861-004		1	CONNECTOR, 4P, FEMALE	CLC1120
J 618	NPN			CASSETTE 2 PAPER WIDTH SENSOR	CLC1120 VR3
	VS1-0861-003		1	CONNECTOR, 3P, FEMALE	CLC1120
J 619	NPN			CASSETTE 3 PAPER LENGTH SENSOR	CLC1130/1150 PSU3 DPSU3
J 620	VS1-0861-004		1	CONNECTOR, 4P, FEMALE	CLC1130/1150
	NPN			CASSETTE 3 PAPER WIDTH SENSOR	CLC1130/1150 VR5 DVR5
	VS1-0861-003		1	CONNECTOR, 3P, FEMALE	CLC1130/1150
J 621	VS1-0842-010		1	CONNECTOR, 10P, FEMALE	
	VS1-6321-010		1	CONNECTOR, 10P, FEMALE	
J 622	VS1-5057-010		1	CONNECTOR, SNAP TIGHT	
	VS1-0842-008		1	CONNECTOR, 8P, FEMALE	
	VS1-6321-008		1	CONNECTOR, 8P, FEMALE	
	VS1-5057-008		1	CONNECTOR, SNAP TIGHT	
J 623	VS1-6321-014		2	CONNECTOR, 14P, FEMALE	

FIGURE & KEY NO.	PART NUMBER	RANK	QTY	DESCRIPTION	SERIAL NUMBER / REMARKS
B - J 623	VS1-5057-014		1	CONNECTOR, SNAP TIGHT	
J 624	VS1-6321-012		2	CONNECTOR, 12P, MALE	
	VS1-5057-012		1	CONNECTOR, SNAP TIGHT	
J 625	VS1-6321-009		2	CONNECTOR, 9P, FEMALE	
	VS1-5057-009		1	CONNECTOR, SNAP TIGHT	
J 626	NPN			PAPER FEED 2 PICK-UP SOLENOID	SL8 DSL8
	VS1-0842-002		1	CONNECTOR, 2P, FEMALE	
	VS1-5057-002		1	CONNECTOR, SNAP TIGHT	
J 627	NPN			CASSETTE 2 PAPER SENSOR	PS24 DPS24
	VS1-0842-003		1	CONNECTOR, 3P, FEMALE	
J 628	NPN			CASSETTE 2 LIFTER SENSOR	PS22 DPS22
	VS1-0842-003		1	CONNECTOR, 3P, FEMALE	
J 629	NPN			PAPER FEED 2 CLUTCH	CL12 DCL12
	VS1-0842-002		1	CONNECTOR, 2P, FEMALE	
	VS1-5057-002		1	CONNECTOR, SNAP TIGHT	
J 630	NPN			CASSETTE 2 SENSOR	PS47 DPS47
	VS1-0842-003		1	CONNECTOR, 3P, FEMALE	
J 631	NPN			FEED 2 VERTICAL PATH SENSOR	PS26
	VS1-0842-003		1	CONNECTOR, 3P, FEMALE	
J 632	NPN			MANUAL FEED CLUTCH	CL10
J 633	VS1-6321-003		1	CONNECTOR, 3P, FEMALE	
	VS1-5057-003		1	CONNECTOR, SNAP TIGHT	
	NPN			MANUAL FEED PAPER FEED CLUTCH	CL16
	VS1-6321-002		1	CONNECTOR, 2P, FEMALE	
	VS1-5057-002		1	CONNECTOR, SNAP TIGHT	
J 634	NPN			MANUAL FEED LIFTER MOTOR	M15
	VS1-6321-002		1	CONNECTOR, 2P, FEMALE	
	VS1-5057-002		1	CONNECTOR, SNAP TIGHT	
J 635	NPN			MANUAL FEED PICK-UP SOLENOID	SL14
	VS1-6321-002		1	CONNECTOR, 2P, FEMALE	

FIGURE & KEY NO.	PART NUMBER	RANK	QTY	DESCRIPTION	SERIAL NUMBER / REMARKS
B - J 635	VS1-5057-002		1	CONNECTOR, SNAP TIGHT	
J 636	NPN			MANUAL FEED LIFTER SENSOR	PS18
	VS1-6321-003		1	CONNECTOR, 3P, FEMALE	
J 637	NPN			MANUAL FEED PAPER FEED SENSOR	PS15
	VS1-6321-003		1	CONNECTOR, 3P, FEMALE	
J 638	NPN			MANUAL FEED OPEN/CLOSE SENSOR	PS17
	VS1-6321-003		1	CONNECTOR, 3P, FEMALE	
J 639	NPN			MANUAL FEED LIFTER SENSOR	PS9
	VS1-6321-003		1	CONNECTOR, 3P, FEMALE	
J 640	NPN			MANUAL FEED PAPER WIDTH SENSOR	VR7
J 641	NPN			MANUAL FEED PAPER SENSOR	PS62
	VS1-6321-003		1	CONNECTOR, 3P, FEMALE	
J 642	VS1-5057-003		1	CONNECTOR, SNAP TIGHT	
	VS1-6321-003		2	CONNECTOR, 3P, FEMALE	
J 643	VS1-0842-010		1	CONNECTOR, 10P, FEMALE	
	VS1-6321-010		1	CONNECTOR, 10P, FEMALE	CLC1120/1130
	VS1-5057-010		1	CONNECTOR, SNAP TIGHT	
J 644	VS1-0842-008		1	CONNECTOR, 8P, FEMALE	CLC1120/1130
	VS1-6321-008		1	CONNECTOR, 8P, FEMALE	CLC1120/1130
J 645	VS1-5057-008		1	CONNECTOR, SNAP TIGHT	CLC1120/1130
	VS1-0842-010		1	CONNECTOR, 10P, FEMALE	CLC1130/1150
	VS1-6321-010		1	CONNECTOR, 10P, FEMALE	CLC1130/1150
	VS1-5057-010		1	CONNECTOR, SNAP TIGHT	CLC1130/1150
J 646	VS1-0842-008		1	CONNECTOR, 8P, FEMALE	CLC1130/1150
J 647	VS1-6321-008		1	CONNECTOR, 8P, FEMALE	CLC1130/1150
	VS1-5057-008		1	CONNECTOR, SNAP TIGHT	CLC1130/1150
	NPN			PAPER FEED 1 PICK-UP SOLENOID	CLC1120/1130 SL7
	VS1-0842-002		1	CONNECTOR, 2P, FEMALE	CLC1120/1130
	VS1-5057-002		1	CONNECTOR, SNAP TIGHT	CLC1120/1130

FIGURE & KEY NO.	PART NUMBER	RANK	QTY	DESCRIPTION	SERIAL NUMBER / REMARKS
B - J 648	NPN			CASSETTE 1 PAPER SENSOR	CLC1120/1130 PS20
	VS1-0842-003		1	CONNECTOR, 3P, FEMALE	CLC1120/1130
J 649	NPN			CASSETTE 1 LIFTER SENSOR	CLC1120/1130 PS19
	VS1-0842-003		1	CONNECTOR, 3P, FEMALE	CLC1120/1130
J 650	NPN			PAPER FEED 1 CLUTCH	CLC1120/1130 CL11
	VS1-0842-002		1	CONNECTOR, 2P, FEMALE	CLC1120/1130
	VS1-5057-002		1	CONNECTOR, SNAP TIGHT	CLC1120/1130
J 651	NPN			CASSETTE 1 SENSOR	CLC1120/1130 PS46
	VS1-0842-003		1	CONNECTOR, 3P, FEMALE	CLC1120/1130
J 652	NPN			FEED 1 VERTICAL PATH SENSOR	CLC1120/1130 PS21
	VS1-0842-003		1	CONNECTOR, 3P, FEMALE	CLC1120/1130
J 653	NPN			PAPER FEED 3 PICK-UP SOLENOID	CLC1130/1150 SL9 DSL9
	VS1-0842-002		1	CONNECTOR, 2P, FEMALE	CLC1130/1150
	VS1-5057-002		1	CONNECTOR, SNAP TIGHT	CLC1130/1150
J 654	NPN			CASSETTE 3 PAPER SENSOR	CLC1130/1150 PS25 DPS25
	VS1-0842-003		1	CONNECTOR, 3P, FEMALE	CLC1130/1150
J 655	NPN			CASSETTE 3 LIFTER SENSOR	CLC1130/1150 PS23 DPS23
	VS1-0842-003		1	CONNECTOR, 3P, FEMALE	CLC1130/1150
J 656	NPN			PAPER FEED 3 CLUTCH	CLC1130/1150 CL13 DCL13
	VS1-0842-002		1	CONNECTOR, 2P, FEMALE	CLC1130/1150
	VS1-5057-002		1	CONNECTOR, SNAP TIGHT	CLC1130/1150
J 657	NPN			CASSETTE 3 SENSOR	CLC1130/1150 PS48 DPS48
	VS1-0842-003		1	CONNECTOR, 3P, FEMALE	CLC1130/1150
J 658	NPN			FEED 3 VERTICAL PATH SENSOR	CLC1130/1150 PS27
	VS1-0842-003		1	CONNECTOR, 3P, FEMALE	CLC1130/1150
J 659	VS1-6321-003		2	CONNECTOR, 3P, FEMALE	CLC1120/1130
	VS1-5057-003		1	CONNECTOR, SNAP TIGHT	CLC1120/1130
J 660	VS1-6321-003		2	CONNECTOR, 3P, FEMALE	CLC1130/1150
	VS1-5057-003		1	CONNECTOR, SNAP TIGHT	CLC1130/1150
J 661	NPN			REFEED MOTOR	CLC1150 PM13

FIGURE & KEY NO.	PART NUMBER	RANK	QTY	DESCRIPTION	SERIAL NUMBER / REMARKS
B - J 661	NPN			PAPER FEED 1 MOTOR	CLC1120/1130 PM10
	VS1-5730-006		1	CONNECTOR, 6P, MALE	
	WS3-5301-000		6	PIN CONTACT	
J 663	VS1-6321-005		2	CONNECTOR, 5P, FEMALE	CLC1150
	VS1-5057-005		1	CONNECTOR, SNAP TIGHT	CLC1150
J 664	VS1-6321-003		2	CONNECTOR, 3P, FEMALE	CLC1150
	VS1-5057-003		1	CONNECTOR, SNAP TIGHT	CLC1150
J 665	NPN			REFEED CLUTCH B	CLC1150 CL15
	VS1-6321-002		1	CONNECTOR, 2P, FEMALE	CLC1150
	VS1-5057-002		1	CONNECTOR, SNAP TIGHT	CLC1150
J 666	NPN			VERTICAL PATH 1B SENSOR	CLC1150 PS28
	VS1-6321-003		1	CONNECTOR, 3P, FEMALE	CLC1150
J 671	VS1-6313-013		2	CONNECTOR, 13P, FEMALE	
	VS1-6314-013		2	CONNECTOR, 13P, FEMALE	
	VT2-5161-026		2	HOLDER, CONNECTOR, 26P	
J 672	VS1-6319-026		1	CONNECTOR, SNAP TIGHT	
	NPN			M TONER SUPPLY CLUTCH	CL5
	VS1-6321-002		1	CONNECTOR, 2P, FEMALE	
	VS1-5057-002		1	CONNECTOR, SNAP TIGHT	
J 673	NPN			C TONER SUPPLY CLUTCH	CL6
J 674	VS1-6321-002		1	CONNECTOR, 2P, FEMALE	
	VS1-5057-002		1	CONNECTOR, SNAP TIGHT	
	NPN			Y TONER SUPPLY CLUTCH	CL7
	VS1-6321-002		1	CONNECTOR, 2P, FEMALE	
	VS1-5057-002		1	CONNECTOR, SNAP TIGHT	
J 675	NPN			BK TONER SUPPLY CLUTCH	CL8
	VS1-6321-002		1	CONNECTOR, 2P, FEMALE	
	VS1-5057-002		1	CONNECTOR, SNAP TIGHT	
J 678	NPN			M TONER SENSOR	TS1
	VS1-6321-003		1	CONNECTOR, 3P, FEMALE	



FIGURE & KEY NO.	PART NUMBER	RANK	QTY	DESCRIPTION	SERIAL NUMBER / REMARKS
B - J 678	VS1-5057-003		1	CONNECTOR, SNAP TIGHT	
J 679	NPN			C TONER SENSOR	TS2
	VS1-6321-003		1	CONNECTOR, 3P, FEMALE	
	VS1-5057-003		1	CONNECTOR, SNAP TIGHT	
J 680	NPN			Y TONER SENSOR	TS3
	VS1-6321-003		1	CONNECTOR, 3P, FEMALE	
	VS1-5057-003		1	CONNECTOR, SNAP TIGHT	
J 681	NPN			BK TONER SENSOR	TS4
	VS1-6321-003		1	CONNECTOR, 3P, FEMALE	
	VS1-5057-003		1	CONNECTOR, SNAP TIGHT	
J 686	FG6-2472-000		1	CABLE, DUPLEXING FEEDER	CLC1150
	VS3-0309-032		1	CONNECTOR, 32P	CLC1150
	WS3-1271-000		31	CONTACT	CLC1150
J 688	FG6-2472-000		1	CABLE, DUPLEXING FEEDER	CLC1150
	VS1-0842-003		1	CONNECTOR, 3P, FEMALE	CLC1150
J 689	VS1-5057-003		1	CONNECTOR, SNAP TIGHT	CLC1150
	NPN			DUPLEX SKI PLATE SOLENOID	CLC1150 SL13
	FG6-2472-000		1	CABLE, DUPLEXING FEEDER	CLC1150
	VS1-5057-002		1	CONNECTOR, SNAP TIGHT	CLC1150
J 690	NPN			DUPLEX SHUTER SOLENOID	CLC1150 SL12
	FG6-2472-000		1	CABLE, DUPLEXING FEEDER	CLC1150
	VS1-5057-003		1	CONNECTOR, SNAP TIGHT	CLC1150
J 691	NPN			DUPLEX PAPER SENSOR	CLC1150 PS36
	FG6-2472-000		1	CABLE, DUPLEXING FEEDER	CLC1150
J 692	FG6-2472-000		1	CABLE, DUPLEXING FEEDER	CLC1150
J 693	VS1-0842-006		1	CONNECTOR, 6P, FEMALE	CLC1150
	VS1-5057-006		1	CONNECTOR, SNAP TIGHT	CLC1150
	NPN			DUPLEX END LIMIT SOLENOID	CLC1150 SL15
	FG6-2472-000		1	CABLE, DUPLEXING FEEDER	CLC1150
	VS1-5057-002		1	CONNECTOR, SNAP TIGHT	CLC1150

FIGURE & KEY NO.	PART NUMBER	RANK	QTY	DESCRIPTION	SERIAL NUMBER / REMARKS
B - J 694	NPN			REFEED CLUTCH A	CLC1150 CL14
	FG6-2472-000		1	CABLE, DUPLEXING FEEDER	CLC1150
	VS1-5057-003		1	CONNECTOR, SNAP TIGHT	CLC1150
J 695	NPN			CORL REAR SENSOR	CLC1150 PS37
	VS1-0842-003		1	CONNECTOR, 3P, FEMALE	CLC1150
J 696	NPN			DUPLEX JOGGING WIDTH SENSOR	CLC1150 PS40
	FG6-2472-000		1	CABLE, DUPLEXING FEEDER	CLC1150
J 697	NPN			DUPLEX JOGGING MOTOR	CLC1150 PM14
	FG6-2472-000		1	CABLE, DUPLEXING FEEDER	CLC1150
	VS1-5057-005		1	CONNECTOR, SNAP TIGHT	CLC1150
J 698	NPN			REVERSE PAPER SENSOR	CLC1150 PS35
	VS1-0842-003		1	CONNECTOR, 3P, FEMALE	CLC1150
J 699	NPN			PAPER SENSOR	CLC1150 PS34
	VS1-0842-003		1	CONNECTOR, 3P, FEMALE	CLC1150
J 701	VS1-6321-010		2	CONNECTOR, 10P, FEMALE	CLC1150
	VS1-5057-010		1	CONNECTOR, SNAP TIGHT	CLC1150
J 705	NPN			DELIV. VERTICAL PATH 2 SENSOR	CLC1150 PS33
	VS1-6321-003		1	CONNECTOR, 3P, FEMALE	CLC1150
J 706	NPN			DELIVERY FLAPPER SOLENOID	CLC1150 SL10
	VS1-6321-002		1	CONNECTOR, 2P, FEMALE	CLC1150
J 707	NPN			DELIV. VERTICAL PATH 1 SENSOR	CLC1150 PS32
	VS1-6321-003		1	CONNECTOR, 3P, FEMALE	CLC1150
J 708	NPN			DELIVERY VERTICAL PATH CLUTCH	CLC1150 CL16
	VS1-6321-003		1	CONNECTOR, 3P, FEMALE	CLC1150
J 709	VS1-5057-003		1	CONNECTOR, SNAP TIGHT	CLC1150
	VS1-0842-012		1	CONNECTOR, 12P, FEMALE	
	VS1-6321-012		1	CONNECTOR, 12P, MALE	
	VS1-5057-012		1	CONNECTOR, SNAP TIGHT	
J 710	VS1-0842-010		1	CONNECTOR, 10P, FEMALE	

FIGURE & KEY NO.	PART NUMBER	RANK	QTY	DESCRIPTION	SERIAL NUMBER / REMARKS
B - J 710	VS1-6321-010		1	CONNECTOR, 10P, FEMALE	
	VS1-5057-010		1	CONNECTOR, SNAP TIGHT	
	J 711	NPN		KEY SWITCH	SW2
		NPN		MAIN SWITCH	SW1
		VS1-0279-004		1	CONNECTOR, 4P, FEMALE
J 713	VS4-0003-004		1	CONNECTOR, 4P, MALE	
	WS3-0437-000		1	SOCKET CONTACT, 20-30AWG	
	WS3-0469-000		3	SOCKET CONTACT, 26-30AWG	
	WS3-0885-000		4	PIN CONTACT, 20-30AWG	
		NPN		PRIMARY WIRE MOTOR	M6
J 714	VS3-0108-002		1	CONNECTOR, 2P, FEMALE	
	WS3-5016-000		2	PIN CONTACT, 30-26AWG	
	VS1-0279-010		1	CONNECTOR, 10P, FEMALE	
	VS1-0280-010		1	CONNECTOR, 10P, MALE	
		WS3-0469-000		9	SOCKET CONTACT, 26-30AWG
J 715	WS3-0885-000		5	PIN CONTACT, 20-30AWG	
	WS3-0885-000		3	PIN CONTACT, 20-30AWG	100/120V
	WS3-5016-000		5	PIN CONTACT, 30-26AWG	220/240V
		NPN		SSR 1	SSR1
		VS3-0044-005		1	CONNECTOR, 5P, FEMALE
J 716	WS3-0916-000		5	SOCKET CONTACT, 18-24AWG	
	PCB			FIXING SSR CONTROL BOARD	220/240V
J 717	VS1-0842-005		1	CONNECTOR, 5P, FEMALE	220/240V
	PCB			FIXING SSR CONTROL BOARD	220/240V
	VS1-5824-003		1	CONNECTOR, 3P, FEMALE	220/240V
J 719	WS3-5358-000		3	SOCKET CONTACT, 22-26AWG	220/240V
		NPN		SSR 2	SSR2
	VS3-0047-003		1	CONNECTOR, 3P, FEMALE	
J 720	WS3-0916-000		3	SOCKET CONTACT, 18-24AWG	
		NPN		OZONE INTAKE FAN	FM5

FIGURE & KEY NO.	PART NUMBER	RANK	QTY	DESCRIPTION	SERIAL NUMBER / REMARKS
B - J 720	VS1-0279-003		1	CONNECTOR, 3P, FEMALE	
	WS3-0437-000		3	SOCKET CONTACT, 20-30AWG	
J 722	NPN			DRUM MOTOR	M2
	VS1-6321-009		1	CONNECTOR, 9P, FEMALE	
J 723	NPN			PRIMARY FAN	FM3
J 725	VS1-6320-003		1	CONNECTOR, 3P, MALE	100V CL18
	VS1-5057-003		1	CONNECTOR, SNAP TIGHT	
	NPN			POST CARD FEEDER CLUTCH	
	VS1-6321-002		1	CONNECTOR, 2P, FEMALE	
	VS1-5057-002		1	CONNECTOR, SNAP TIGHT	
J 726	NPN			RECIPROCATING MOTOR	M7
	VS1-0279-002		1	CONNECTOR, 2P, FEMALE	
J 733	WS3-0437-000		2	SOCKET CONTACT, 20-30AWG	
	VS1-5057-004		1	CONNECTOR, SNAP TIGHT	
	VS1-6321-004		2	CONNECTOR, 4P, FEMALE	
J 734	VS1-0842-003		1	CONNECTOR, 3P, FEMALE	
	VS1-5057-003		1	CONNECTOR, SNAP TIGHT	
	VS1-6321-003		1	CONNECTOR, 3P, FEMALE	
J 735	NPN			SCANNER COOLING FAN	FM4
	VS1-6321-003		1	CONNECTOR, 3P, FEMALE	
J 736	VS1-5057-003		1	CONNECTOR, SNAP TIGHT	UN10
	NPN			ENBILOMENT SENSOR	
J 737	VS1-6321-006		1	CONNECTOR, 6P, FEMALE	PS42
	NPN			LEFT DOOR SENSOR	
J 739	VS1-0842-003		1	CONNECTOR, 3P, FEMALE	
	VS1-5057-003		1	CONNECTOR, SNAP TIGHT	
	VS1-6321-003		1	CONNECTOR, 3P, FEMALE	
J 740	VS1-0842-003		1	CONNECTOR, 3P, FEMALE	
	VS1-6321-003		1	CONNECTOR, 3P, FEMALE	

FIGURE & KEY NO.	PART NUMBER	RANK	QTY	DESCRIPTION	SERIAL NUMBER / REMARKS
B - J 740	VS1-5057-003		1	CONNECTOR, SNAP TIGHT	
J 741	NPN			DERIVERY DOOR SENSOR	PS43
	VS1-0842-003		1	CONNECTOR, 3P, FEMALE	
J 742	NPN			WASTE TONER LED SENSOR	PS68L
	VS1-0279-003		1	CONNECTOR, 3P, FEMALE	
	WS3-0469-000		3	SOCKET CONTACT, 26-30AWG	
J 743	NPN			WASTE TONER LED SENSOR	PS68S
	VS1-0279-002		1	CONNECTOR, 2P, FEMALE	
	WS3-0469-000		2	SOCKET CONTACT, 26-30AWG	
J 744	NPN			IP COOLING FAN	FM7
	VS1-5057-003		1	CONNECTOR, SNAP TIGHT	
	VS1-6321-003		1	CONNECTOR, 3P, FEMALE	
J 745	NPN			EXHAUST FAN	FM2
	VS1-6321-003		1	CONNECTOR, 3P, FEMALE	
	VS1-5057-003		1	CONNECTOR, SNAP TIGHT	
J 747	VS1-0842-008		1	CONNECTOR, 8P, FEMALE	
	VS1-6321-008		1	CONNECTOR, 8P, FEMALE	
	VS1-5057-008		1	CONNECTOR, SNAP TIGHT	
J 748	VS1-0842-007		1	CONNECTOR, 7P, FEMALE	
	VS1-6321-007		1	CONNECTOR, 7P, FEMALE	
J 749	VS1-5057-007		1	CONNECTOR, SNAP TIGHT	
	VS1-0842-010		1	CONNECTOR, 10P, FEMALE	
	VS1-6321-010		1	CONNECTOR, 10P, FEMALE	
	VS1-5057-010		1	CONNECTOR, SNAP TIGHT	
J 751	VS1-6321-008		2	CONNECTOR, 8P, FEMALE	
J 752	VS1-5057-008		1	CONNECTOR, SNAP TIGHT	
	VS1-5820-011		1	CONNECTOR, SNAP TIGHT	
J 753	VS1-5820-010		1	CONNECTOR, SNAP TIGHT	
J 800	VS1-0842-006		1	CONNECTOR, 6P, FEMALE	
	VS1-6321-006		1	CONNECTOR, 6P, FEMALE	

FIGURE & KEY NO.	PART NUMBER	RANK	QTY	DESCRIPTION	SERIAL NUMBER / REMARKS
B - J 800	VS1-5057-006		1	CONNECTOR, SNAP TIGHT	
J 802	VS1-0842-006		1	CONNECTOR, 6P, FEMALE	
	VS1-6321-006		1	CONNECTOR, 6P, FEMALE	
	VS1-5057-006		1	CONNECTOR, SNAP TIGHT	
J 803	VS1-0842-012		1	CONNECTOR, 12P, FEMALE	
	VS1-6321-012		1	CONNECTOR, 12P, MALE	
J 804	VS1-5057-012		1	CONNECTOR, SNAP TIGHT TO RF-4 SOCKET	
	-----				
	FH2-5819-000		1	CONNECTOR, 12P, FEMALE	
	FH2-5820-000		6	PIN CONTACT, 22-26AWG	
J 805	FH2-5825-000		1	PIN CONTACT, 16-20AWG TO PROJECTOR SOCKET	
	-----				
	VS3-0155-009		1	CONNECTOR, 9P, MALE	
	WS3-1051-000		1	SOCKET CONTACT, CD-SC-111	
	WS3-1052-000		6	SOCKET CONTACT, CD-SC-121	
J 807	NPN			OPTICAL COOLING FAN 1	FM1
	VS1-6321-003		1	CONNECTOR, 3P, FEMALE	
	VS1-5057-003		1	CONNECTOR, SNAP TIGHT	
J 808	PCB			ECO-ID BOARD	
	VS1-6314-010		1	CONNECTOR, 10P, FEMALE	
J 810	VS1-6321-003		1	CONNECTOR, 3P, FEMALE	
	VS1-5824-003		1	CONNECTOR, 3P, FEMALE	
	WS3-5358-000		3	SOCKET CONTACT, 22-26AWG	
	VS1-5057-003		1	CONNECTOR, SNAP TIGHT	
J 811	NPN			BACK INTAKE FAN	FM16
J 812	VS1-6321-003		1	CONNECTOR, 3P, FEMALE	
	VS1-5057-003		1	CONNECTOR, SNAP TIGHT	
J 815	VS1-6321-008		1	CONNECTOR, 8P, FEMALE	
	VS1-6320-009		1	CONNECTOR, 9P, MALE	
	VS1-0842-007		1	CONNECTOR, 7P, FEMALE	

FIGURE & KEY NO.	PART NUMBER	RANK	QTY	DESCRIPTION	SERIAL NUMBER / REMARKS
B - J 815	VS1-5057-007		1	CONNECTOR, SNAP TIGHT	
J 816	VS1-6320-009		1	CONNECTOR, 9P, MALE	
	VS1-0842-007		1	CONNECTOR, 7P, FEMALE	
J 818	NPN			OPTICAL COOLING FAN 2	FM14
	VS1-6321-003		1	CONNECTOR, 3P, FEMALE	
J 819	VS1-5057-003		1	CONNECTOR, SNAP TIGHT	
	NPN			OPTICAL COOLING FAN 3	FM15
	VS1-6321-003		1	CONNECTOR, 3P, FEMALE	
	VS1-5057-003		1	CONNECTOR, SNAP TIGHT	
J 820	VS1-0279-004		1	CONNECTOR, 4P, FEMALE	
J 821	VS3-0108-004		1	CONNECTOR, 4P, FEMALE	
	WS3-0437-000		2	SOCKET CONTACT, 20-30AWG	
	WS3-0885-000		4	PIN CONTACT, 20-30AWG	
	VS1-0842-010		1	CONNECTOR, 10P, FEMALE	
	VS1-5057-010		1	CONNECTOR, SNAP TIGHT	
J 822	VS1-6321-010		1	CONNECTOR, 10P, FEMALE	
	NPN			SCANNER MOTOR HP SENSOR	PS1
	VS1-6321-003		1	CONNECTOR, 3P, FEMALE	
J 901	PCB			OPERATION CPU BOARD	
	VS1-6313-016		1	CONNECTOR, 16P, FEMALE	
J 902	VS1-6314-016		1	CONNECTOR, 16P, FEMALE	
	VT2-5161-032		1	HOLDER, CONNECTOR, 32P	
	PCB			OPERATION CPU BOARD	
	VS1-6314-017		1	CONNECTOR, 17P, FEMALE	
J 903	PCB			OPERATION CPU BOARD	
J 905	VS1-6314-011		1	CONNECTOR, 11P, FEMALE	
	PCB			DC FUSE BOARD	
	WT1-5276-000		4	PIN CONTACT	
J 906	PCB			DC FUSE BOARD	
	VS3-5083-004		1	CONNECTOR, 4P, FEMALE	

FIGURE & KEY NO.	PART NUMBER	RANK	QTY	DESCRIPTION	SERIAL NUMBER / REMARKS
B - J 906	WS3-5160-000		4	SOCKET CONTACT, 18-24AWG	
J 907	PCB			OPERATION CPU BOARD	
	VS3-5083-006		1	CONNECTOR, 6P, FEMALE	
	WS3-5160-000		6	SOCKET CONTACT, 18-24AWG	
J 908	PCB			DC FUSE BOARD	
	VS3-5083-010		1	CONNECTOR, 10P, FEMALE	
	WS3-5160-000		10	SOCKET CONTACT, 18-24AWG	
J 909	PCB			DC FUSE BOARD	
	VS3-5083-008		1	CONNECTOR, 8P, FEMALE	
	WS3-5160-000		8	SOCKET CONTACT, 18-24AWG	
J 910	PCB			DC FUSE BOARD	
	VS3-5083-002		1	CONNECTOR, 2P, FEMALE	
	WS3-5160-000		2	SOCKET CONTACT, 18-24AWG	
J 913	NPN			LEFT DOOR SWITCH	SW4
	VS4-0001-004		1	CONNECTOR, 4P, MALE	
J 914	WS4-0217-000		2	SOCKET CONTACT, 22-18AWG	
	NPN			DELIVERY DOOR SWITCH	CLC1150 SW5
	VS4-0001-004		1	CONNECTOR, 4P, MALE	CLC1120/1130
	VS4-0002-004		1	CONNECTOR, 4P, FEMALE	
	WS4-0217-000		2	SOCKET CONTACT, 22-18AWG	
J 915	WS4-0219-000		2	PIN CONTACT, 18-22AWG	CLC1120/1130
	NPN			TRANSFER FRAME LEVER SWITCH	SW3
	VS1-5730-003		1	CONNECTOR, 3P, MALE	
	WS3-5301-000		1	PIN CONTACT	
J 917	VS1-5729-004		1	CONNECTOR, 4P, MALE	
J 919	VS3-5083-004		1	CONNECTOR, 4P, FEMALE	
	WS3-5160-000		4	SOCKET CONTACT, 18-24AWG	
	WS3-5301-000		4	PIN CONTACT	
	NPN			DC POWER CUT RELAY	RL3
	VS3-5121-008		1	CONNECTOR, 8P, MALE	



FIGURE & KEY NO.	PART NUMBER	RANK	QTY	DESCRIPTION	SERIAL NUMBER / REMARKS
B - J 919	WS3-5526-000		8	SOCKET CONTACT, 16-22AWG	
J 920	NPN			AC POWER CUT RELAY	RL1
	VS1-5729-002		1	CONNECTOR, 2P, MALE	
	WS3-5301-000		2	PIN CONTACT	
J 921	PCB			CONTROL PANEL KEY BOARD	
J 922	VS1-6314-017		1	CONNECTOR, 17P, FEMALE	
	PCB			CONTROL PANEL KEY BOARD	
	VS1-6314-011		1	CONNECTOR, 11P, FEMALE	
	FG6-0948-000		1	CABLE, TRANSFER FRAME DRAWER	
	VS3-5083-007		1	CONNECTOR, 7P, FEMALE	
J 923	WS3-5160-000		7	SOCKET CONTACT, 18-24AWG	
	PCB			CONTROL PANEL KEY BOARD	
	VS1-5976-002		1	CONNECTOR, 2P, FEMALE	
	FG6-0948-000		1	CABLE, TRANSFER FRAME DRAWER	
J 926	VS1-5730-002		1	CONNECTOR, 2P, MALE	
J 927	VS3-5083-002		1	CONNECTOR, 2P, FEMALE	
	WS3-5160-000		2	SOCKET CONTACT, 18-24AWG	
	WS3-5301-000		2	PIN CONTACT	
	VS1-0279-004		1	CONNECTOR, 4P, FEMALE	
	VS3-0108-004		1	CONNECTOR, 4P, FEMALE	
J 928	WS3-0885-000		4	PIN CONTACT, 20-30AWG	
	WT1-0240-000		4	SOCKET CONTACT, 20-26AWG	
	VS3-5083-002		1	CONNECTOR, 2P, FEMALE	
	WS3-5160-000		2	SOCKET CONTACT, 18-24AWG	
J 929	PCB			DC FUSE BOARD	
J 930	VS1-6380-006		1	CONNECTOR, 6P, MALE	
	WS3-5527-000		6	SOCKET CONTACT, 16-22AWG	
	PCB			DC FUSE BOARD	
	VS1-6380-003		1	CONNECTOR, 3P, MALE	
	WS3-5527-000		2	SOCKET CONTACT, 16-22AWG	

FIGURE & KEY NO.	PART NUMBER	RANK	QTY	DESCRIPTION	SERIAL NUMBER / REMARKS
B - J 931	PCB			DC FUSE BOARD	
	VS4-0001-006		1	CONNECTOR, 6P, MALE	
	WS4-0220-000		6	PIN CONTACT, 22-26AWG	
J 932	PCB			DC FUSE BOARD	
	VS3-5083-007		1	CONNECTOR, 7P, FEMALE	
J 933	WS3-5160-000		6	SOCKET CONTACT, 18-24AWG	
	PCB			DC FUSE BOARD	
	VS3-5083-007		1	CONNECTOR, 7P, FEMALE	
J 934	WS3-5160-000		6	SOCKET CONTACT, 18-24AWG	
	PCB			DC FUSE BOARD	
J 935	VS3-5083-009		1	CONNECTOR, 9P, FEMALE	
	WS3-5160-000		4	SOCKET CONTACT, 18-24AWG	
	PCB			DC FUSE BOARD	
	VS4-0001-004		1	CONNECTOR, 4P, MALE	
	WS4-0220-000		4	PIN CONTACT, 22-26AWG	
J 936	PCB			DC FUSE BOARD	
	VS3-5083-008		1	CONNECTOR, 8P, FEMALE	
	WS3-5160-000		8	SOCKET CONTACT, 18-24AWG	
J 937	PCB			DC FUSE BOARD	
	VS1-6380-004		1	CONNECTOR, 4P, MALE	
J 938	WS3-5527-000		2	SOCKET CONTACT, 16-22AWG	
	PCB			DC FUSE BOARD	
	VS3-5083-002		1	CONNECTOR, 2P, FEMALE	
J 939	WS3-5160-000		2	SOCKET CONTACT, 18-24AWG	
	PCB			DC FUSE BOARD	
J 940	VS1-0279-005		1	CONNECTOR, 5P, FEMALE	
	WS3-0437-000		5	SOCKET CONTACT, 20-30AWG	
	VS4-0001-015		1	CONNECTOR, 15P, MALE	
	VS4-0002-015		1	CONNECTOR, 15P, FEMALE	
	WS4-0217-000		2	SOCKET CONTACT, 22-18AWG	

FIGURE & KEY NO.	PART NUMBER	RANK	QTY	DESCRIPTION	SERIAL NUMBER / REMARKS
B - J 940	WS4-0218-000		11	SOCKET CONTACT, 22-26AWG	
	WS4-0219-000		2	PIN CONTACT, 18-22AWG	
	WS4-0220-000		11	PIN CONTACT, 22-26AWG	
	J 941 PCB			CONTRAST VOLUME BOARD	
	VS1-6321-008		1	CONNECTOR, 8P, FEMALE	
J 942	VS1-5729-002		1	CONNECTOR, 2P, MALE	
	VS3-5083-002		1	CONNECTOR, 2P, FEMALE	
	WS3-5160-000		2	SOCKET CONTACT, 18-24AWG	
	WS3-5301-000		2	PIN CONTACT	
J 943 PCB			PRESSURE RISE BOARD		
J 950	VS3-5083-004		1	CONNECTOR, 4P, FEMALE	
	WS3-5160-000		4	SOCKET CONTACT, 18-24AWG	
	VS1-6380-008		1	CONNECTOR, 8P, MALE	
	VS3-5121-008		1	CONNECTOR, 8P, MALE	
	WS3-5291-000		8	PIN CONTACT	
J 951	WS3-5527-000		8	SOCKET CONTACT, 16-22AWG	
	VS1-6380-003		1	CONNECTOR, 3P, MALE	
	VS3-5121-003		1	CONNECTOR, 3P, MALE	
	WS3-5291-000		2	PIN CONTACT	
	WS3-5527-000		2	SOCKET CONTACT, 16-22AWG	
J 952	VS1-5729-004		1	CONNECTOR, 4P, MALE	
	VS3-5083-004		1	CONNECTOR, 4P, FEMALE	
	WS3-5160-000		4	SOCKET CONTACT, 18-24AWG	
	WS3-5301-000		4	PIN CONTACT	
J 953	VS1-5729-010		1	CONNECTOR, 10P, MALE	
J 954	VS3-5083-010		1	CONNECTOR, 10P, FEMALE	
	WS3-5160-000		10	SOCKET CONTACT, 18-24AWG	
	WS3-5301-000		10	PIN CONTACT	
	VS1-6380-004		1	CONNECTOR, 4P, MALE	
	VS3-5121-004		1	CONNECTOR, 4P, MALE	

FIGURE & KEY NO.	PART NUMBER	RANK	QTY	DESCRIPTION	SERIAL NUMBER / REMARKS
B - J 954	WS3-5291-000		4	PIN CONTACT	
	WS3-5292-000		4	SOCKET CONTACT	
	J 961	PCB		CONTROL PANEL INVERTER BOARD	
	VS3-5083-002		1	CONNECTOR, 2P, FEMALE	
	WS3-5160-000		2	SOCKET CONTACT, 18-24AWG	
J 962	NPN			LCD CONTROL PANEL	
	PCB			CONTROL PANEL INVERTER BOARD	
J 963	PCB			CONTROL PANEL INVERTER BOARD	
	VS1-6321-002		1	CONNECTOR, 2P, FEMALE	
J1001	PCB			DC DRIVER	
J1002	VS1-6313-008		1	CONNECTOR, 8P, FEMALE	
	VS1-6314-008		1	CONNECTOR, 8P, FEMALE	
	VT2-5161-016		1	HOLDER, CONNECTOR, 16P	
	PCB			DC DRIVER	
	VS1-6313-010		1	CONNECTOR, 10P, FEMALE	
J1004	VS1-6314-010		1	CONNECTOR, 10P, FEMALE	
	VT2-5161-020		1	HOLDER, CONNECTOR, 20P	
	PCB			DC DRIVER	
J1005	FG6-0863-000		1	FIXING DRAWER CABLE UNIT	
	PCB			DC DRIVER	
J1006	VS1-6313-010		1	CONNECTOR, 10P, FEMALE	
	VS1-6314-010		1	CONNECTOR, 10P, FEMALE	
	VT2-5161-020		1	HOLDER, CONNECTOR, 20P	
	PCB			DC DRIVER	
	VS1-6407-100		1	CONNECTOR, 100P, FEMALE	
J1007	PCB			DC DRIVER	
	VS1-6313-018		1	CONNECTOR, 18P, FEMALE	
	VS1-6314-018		1	CONNECTOR, 18P, MALE	
	VT2-5161-036		1	HOLDER, CONNECTOR, 36P	
J1008	PCB			DC DRIVER	

FIGURE & KEY NO.	PART NUMBER	RANK	QTY	DESCRIPTION	SERIAL NUMBER / REMARKS
B - J1008	VS1-6313-008		1	CONNECTOR, 8P, FEMALE	
	VS1-6314-008		1	CONNECTOR, 8P, FEMALE	
	VT2-5161-016		1	HOLDER, CONNECTOR, 16P	
	J1009 PCB			DC DRIVER	
	VS3-5083-004		1	CONNECTOR, 4P, FEMALE	
J1010	WS3-5160-000		4	SOCKET CONTACT, 18-24AWG	
	PCB			DC DRIVER	
	VS3-5083-009		1	CONNECTOR, 9P, FEMALE	
	WS3-5160-000		9	SOCKET CONTACT, 18-24AWG	
J1011 PCB			DC DRIVER		
J1012	VS1-6313-012		1	CONNECTOR, 12P, FEMALE	
	VS1-6314-012		1	CONNECTOR, 12P, FEMALE	
	VT2-5161-024		1	HOLDER, CONNECTOR, 24P	
	PCB			DC DRIVER	
	VS1-6313-013		1	CONNECTOR, 13P, FEMALE	
J1013	VS1-6314-013		1	CONNECTOR, 13P, FEMALE	
	VT2-5161-026		1	HOLDER, CONNECTOR, 26P	
	FG6-0948-000		1	CABLE, TRANSFER FRAME DRAWER	
	PCB			DC DRIVER	
J1014 FG6-0948-000			1 CABLE, TRANSFER FRAME DRAWER		
J1015	PCB			DC DRIVER	
	PCB			DC DRIVER	
	VS1-6313-013		1	CONNECTOR, 13P, FEMALE	
	VS1-6314-013		1	CONNECTOR, 13P, FEMALE	
	VT2-5161-026		1	HOLDER, CONNECTOR, 26P	
J1016	PCB			DC DRIVER	
	VS1-6313-012		1	CONNECTOR, 12P, FEMALE	
	VS1-6314-012		1	CONNECTOR, 12P, FEMALE	
	VT2-5161-024		1	CONNECTOR, 24P, FEMALE	
	J1017 PCB			DC DRIVER	

FIGURE & KEY NO.	PART NUMBER	RANK	QTY	DESCRIPTION	SERIAL NUMBER / REMARKS
B - J1017	VS1-6313-018		1	CONNECTOR, 18P, FEMALE	
	VS1-6314-018		1	CONNECTOR, 18P, MALE	
	VT2-5161-036		1	HOLDER, CONNECTOR, 36P	
	J1018 PCB			DC DRIVER	CLC1130/1150
	VS1-6313-016		1	CONNECTOR, 16P, FEMALE	CLC1130/1150
J1019	VS1-6314-016		1	CONNECTOR, 16P, FEMALE	CLC1130/1150
	VT2-5161-032		1	HOLDER, CONNECTOR, 32P	CLC1130/1150
	J1019 PCB			DC DRIVER	
	VS1-6313-012		1	CONNECTOR, 12P, FEMALE	
	VS1-6314-012		1	CONNECTOR, 12P, FEMALE	
J1020	VT2-5161-024		1	HOLDER, CONNECTOR, 24P	
	J1020 PCB			DC DRIVER	CLC1120/1130
	VS1-6313-009		1	CONNECTOR, 9P, FEMALE	CLC1120/1130
	VS1-6314-009		1	CONNECTOR, 9P, FEMALE	CLC1120/1130
	VT2-5161-018		1	HOLDER, CONNECTOR, 18P	CLC1120/1130
J1021	J1021 PCB			DC DRIVER	
	VS1-6313-013		1	CONNECTOR, 13P, FEMALE	
	VS1-6314-013		1	CONNECTOR, 13P, FEMALE	
	VT2-5161-026		1	HOLDER, CONNECTOR, 26P	
J1022	J1022 PCB			DC DRIVER	CLC1150
J1023	VS1-6313-010		1	CONNECTOR, 10P, FEMALE	CLC1150
	VS1-6314-010		1	CONNECTOR, 10P, FEMALE	CLC1150
	VT2-5161-020		1	HOLDER, CONNECTOR, 20P	CLC1150
	J1023 PCB			DC DRIVER	
	VS1-6313-012		1	CONNECTOR, 12P, FEMALE	
J1024	VS1-6314-012		1	CONNECTOR, 12P, FEMALE	
	VT2-5161-024		1	HOLDER, CONNECTOR, 24P	
	J1024 PCB			DC DRIVER	
	VS1-5824-010		2	CONNECTOR, 10P, FEMALE	
	VS1-6053-020		1	CONNECTOR, 20P, FEMALE	

FIGURE & KEY NO.	PART NUMBER	RANK	QTY	DESCRIPTION	SERIAL NUMBER / REMARKS
B - J1024	WS3-5358-000		20	SOCKET CONTACT, 22-26AWG	
J1025	PCB			DC DRIVER	
	VS1-0279-005		1	CONNECTOR, 5P, FEMALE	
	WS3-0437-000		5	SOCKET CONTACT, 20-30AWG	
J1026	PCB			DC DRIVER	
	VS1-6313-015		1	CONNECTOR, 15P, FEMALE	
	VS1-6314-015		1	CONNECTOR, 15P, FEMALE	
	VT2-5161-030		1	HOLDER, CONNECTOR, 30P	
J1027	PCB			DC DRIVER	
	VS1-6313-010		1	CONNECTOR, 10P, FEMALE	
	VS1-6314-010		1	CONNECTOR, 10P, FEMALE	
	VT2-5161-020		1	HOLDER, CONNECTOR, 20P	
J1028	PCB			DC DRIVER	
	VS1-0279-003		1	CONNECTOR, 3P, FEMALE	
	WS3-0437-000		2	SOCKET CONTACT, 20-30AWG	
J1029	PCB			DC DRIVER	CLC1150
	VS1-6314-014		1	CONNECTOR, 14P, MALE	CLC1150
J1200	PCB			LASER CONTROLLER	
	VS3-5083-008		1	CONNECTOR, 8P, FEMALE	
	WS3-5160-000		7	SOCKET CONTACT, 18-24AWG	
J1201	PCB			LASER CONTROLLER	
	VS1-0842-005		1	CONNECTOR, 5P, FEMALE	
J1202	PCB			LASER CONTROLLER	
	VS1-6314-009		1	CONNECTOR, 9P, FEMALE	
J1203	PCB			LASER CONTROLLER	
	VS1-6313-017		1	CONNECTOR, 17P, FEMALE	
	VS1-6314-017		1	CONNECTOR, 17P, FEMALE	
	VT2-5161-034		1	HOLDER, CONNECTOR, 34P	
J1204	PCB			LASER CONTROLLER	
	VS1-6313-018		1	CONNECTOR, 18P, FEMALE	

FIGURE & KEY NO.	PART NUMBER	RANK	QTY	DESCRIPTION	SERIAL NUMBER / REMARKS
B - J1204	VS1-6314-018		1	CONNECTOR, 18P, MALE	
	VT2-5161-036		1	HOLDER, CONNECTOR, 36P	
J1205	PCB			LASER CONTROLLER	
	VS1-6314-009		1	CONNECTOR, 9P, FEMALE	
J1206	PCB			LASER CONTROLLER	
J1207	VS1-6407-060		1	CONNECTOR, 60P, FLAT	
	PCB			LASER CONTROLLER	
	VS1-6314-004		1	CONNECTOR, 4P, FEMALE	
J1210	PCB			BEAM DETECT SENSOR	
	VS1-0842-005		1	CONNECTOR, 5P, FEMALE	
J1301	PCB			LASER DRIVER MOTHER	
	VS1-6314-008		1	CONNECTOR, 8P, FEMALE	
J1302	PCB			LASER DRIVER MOTHER	
	VS1-6314-014		1	CONNECTOR, 14P, MALE	
J1303	PCB			LASER DRIVER MOTHER	
J1304	VS1-6314-016		1	CONNECTOR, 16P, FEMALE	
	PCB			LASER DRIVER MOTHER	
J1305	PCB			LASER DRIVER DAUGHTER BOARD	
J1306	PCB			LASER HEATER BOARD	
	VS1-6314-004		1	CONNECTOR, 4P, FEMALE	
J1702	PCB			DC POWER SUPPLY	
	WT1-5276-000		2	PIN CONTACT	
J1703	PCB			DC POWER SUPPLY	
	WT1-5276-000		8	PIN CONTACT	
J1704	PCB			DC POWER SUPPLY	
J1705	VS3-5084-004		1	CONNECTOR, 4P, FEMALE	
	WS3-5159-000		4	PIN CONTACT, 18-22AWG	
	PCB			DC POWER SUPPLY	
	VS3-0111-010		1	CONNECTOR, 10P, MALE	
	WS3-1297-000		10	PIN, CONTACT	



FIGURE & KEY NO.	PART NUMBER	RANK	QTY	DESCRIPTION	SERIAL NUMBER / REMARKS
B - J1706	PCB			DC POWER SUPPLY	
	WT1-5276-000		4	PIN CONTACT	
	J2001 PCB			CPU BOARD	
	VS1-0279-004		1	CONNECTOR, 4P, FEMALE	
	WS3-0437-000		4	SOCKET CONTACT, 20-30AWG	
J2002	PCB			CPU BOARD	
	VS1-6313-015		1	CONNECTOR, 15P, FEMALE	
	VS1-6314-015		1	CONNECTOR, 15P, FEMALE	
	VT2-5161-030		1	HOLDER, CONNECTOR, 30P	
J2003	PCB			CPU BOARD	
	VS1-6313-009		1	CONNECTOR, 9P, FEMALE	
	VS1-6314-009		1	CONNECTOR, 9P, FEMALE	
	VT2-5161-018		1	HOLDER, CONNECTOR, 18P	
J2004	PCB			CPU BOARD	
	VS1-6313-010		1	CONNECTOR, 10P, FEMALE	
	VS1-6314-010		1	CONNECTOR, 10P, FEMALE	
	VT2-5161-020		1	HOLDER, CONNECTOR, 20P	
J2005	PCB			CPU BOARD	
	VS1-6313-020		1	CONNECTOR, 20P, FEMALE	
	VS1-6314-020		1	CONNECTOR, 20P, FEMALE	
J2006	PCB			CPU BOARD	
	VT2-5161-040		1	HOLDER, CONNECTOR, 40P	
	VS1-6313-017		1	CONNECTOR, 17P, FEMALE	
	VS1-6314-017		1	CONNECTOR, 17P, FEMALE	
	VT2-5161-034		1	HOLDER, CONNECTOR, 34P	
J2007	PCB			CPU BOARD	
	VS1-6313-010		1	CONNECTOR, 10P, FEMALE	
	VS1-6314-010		1	CONNECTOR, 10P, FEMALE	
	VT2-5161-020		1	HOLDER, CONNECTOR, 20P	
J2008	PCB			CPU BOARD	

FIGURE & KEY NO.	PART NUMBER	RANK	QTY	DESCRIPTION	SERIAL NUMBER / REMARKS
B - J2008	VS1-6407-100		1	CONNECTOR, 100P, FEMALE	
J2009	PCB			CPU BOARD	
	VS1-6407-060		1	CONNECTOR, 60P, FLAT	
J2010	PCB			CPU BOARD	
	VS3-5083-009		1	CONNECTOR, 9P, FEMALE	
	WS3-5160-000		9	SOCKET CONTACT, 18-24AWG	
J2011	PCB			CPU BOARD	
	VS1-6314-008		1	CONNECTOR, 8P, FEMALE	
J2012	PCB			CPU BOARD	
	VS1-6407-100		1	CONNECTOR, 100P, FEMALE	
J2051	PCB			CPU BOARD	
	VS1-6313-009		1	CONNECTOR, 9P, FEMALE	
	VS1-6314-009		1	CONNECTOR, 9P, FEMALE	
	VT2-5161-018		1	HOLDER, CONNECTOR, 18P	
J2052	PCB			CPU BOARD	
	VS1-6314-009		1	CONNECTOR, 9P, FEMALE	
J2053	PCB			CPU BOARD	
	VS1-0279-003		1	CONNECTOR, 3P, FEMALE	
	WS3-0437-000		3	SOCKET CONTACT, 20-30AWG	
J2100	PCB			ANALOG PROCESSOR	
	VS3-5083-007		1	CONNECTOR, 7P, FEMALE	
	WS3-5160-000		6	SOCKET CONTACT, 18-24AWG	
J2101	PCB			ANALOG PROCESSOR	
	VS1-5568-050		1	CONNECTOR, 50P, MALE	
J2102	PCB			ANALOG PROCESSOR	
	VS1-0842-011		1	CONNECTOR, 11P, FEMALE	
J2103	PCB			ANALOG PROCESSOR	
	VS1-0842-013		1	CONNECTOR, 13P, FEMALE	
J2201	PCB			CCD DRIVER	
	VS1-0842-011		1	CONNECTOR, 11P, FEMALE	

FIGURE & KEY NO.	PART NUMBER	RANK	QTY	DESCRIPTION	SERIAL NUMBER / REMARKS
B - LJ 4	PCB			LASER DRIVER MOTHER	
LJ1307	PCB			LASER HEATER BOARD	
OJ603	PCB			SCANNER MOTOR DRIVER	
	NPN			SCANNER MOTOR	PM15
PJ905	PCB			OPERATION CPU BOARD	
	VS1-6314-010		1	CONNECTOR, 10P, FEMALE	
PJ907	NPN			LCD CONTROL PANEL	
	PCB			DC FUSE BOARD	
PJ908	NPN			LCD CONTROL PANEL	
	PCB			OPERATION CPU BOARD	
PJ951	PCB			CONTROL PANEL KEY BOARD	
	VS1-5976-002		1	CONNECTOR, 2P, FEMALE	
SK 1	-----			TO BUFFER/SORTOR SOCKET	
	FH2-5829-040		1	CONNECTOR, 28P, FEMALE	
	FH2-5820-000		22	PIN CONTACT, 22-26AWG	
SK 4	-----			TO EDITOR SOCKET	
	VS3-0155-025		1	CONNECTOR, 25P, MALE	
	WS3-1051-000		1	SOCKET CONTACT, CD-SC-111	
	WS3-1052-000		1	SOCKET CONTACT, CD-SC-121	















PART NUMBER	FIGURE & KEY NO.	PART NUMBER	FIGURE & KEY NO.	PART NUMBER	FIGURE & KEY NO.
FH6 - 1115 - 020	310 - 31	FH7 - 7394 - 000	105 - 18	FS1 - 9009 - 000	830 - 11
FH6 - 1293 - 000	368 - 9		111 - 3	FS1 - 9010 - 000	100 - 56
FH6 - 1361 - 000	109 - 3		270 - 24		107 - 29
FH6 - 1554 - 000	255 - 3		272 - 8		710 - 18
FH6 - 1557 - 000	250 - 2		310 - 35	FS1 - 9168 - 000	110 - 3
FH6 - 1559 - 000	253 - 2		311 - 25		270 - 26
FH6 - 1562 - 000	780 - 12		313 - 48		365 - 62
FH6 - 1564 - 000	620 - 13		315 - 32	FS1 - 9169 - 000	210 - 42
FH6 - 1565 - 000	265 - 1		331 - 22	FS1 - 9222 - 020	366 - 16
FH6 - 1569 - 000	330 - 49		350 - 10	FS1 - 9228 - 000	333 - 22
FH6 - 1571 - 000	251 - 1		351 - 15	FS2 - 0577 - 000	252 - 10
FH6 - 1573 - 000	530 - 91		352 - 18	FS2 - 1012 - 000	530 - 1
FH6 - 1574 - 000	105 - 24		530 - 93	FS2 - 1249 - 000	330 - 42
FH6 - 1575 - 000	105 - 1		810 - 54	FS2 - 1256 - 000	830 - 12
FH6 - 1577 - 000	190 - 1		831 - 10		831 - 12
	210 - 27	FH7 - 7440 - 000	116 - 2	FS2 - 1357 - 000	310 - 52
FH6 - 1578 - 000	111 - 12	FH7 - 7441 - 000	115 - 2	FS2 - 2551 - 000	580 - 8
FH6 - 1579 - 000	109 - 19		116 - 2		590 - 7
FH6 - 1580 - 000	111 - 5	FH7 - 7466 - 000	810 - 55		591 - 8
FH6 - 1581 - 000	105 - 14	FH7 - 7467 - 000	810 - 56		592 - 7
FH6 - 1583 - 000	105 - 23	FH7 - 7468 - 000	810 - 57	FS2 - 3004 - 000	365 - 38
	351 - 14	FH7 - 7469 - 000	945 - TH 1	FS2 - 3486 - 000	252 - 11
FH6 - 1587 - 000	191 - 2	FH7 - 7470 - 000	530 - 58		260 - 3
	911 - 2		530 - 88	FS2 - 3490 - 000	290 - 11
FH6 - 1588 - 000	103 - 27	FH7 - 9304 - 000	115 - 3	FS2 - 3503 - 000	310 - 39
FH6 - 3341 - 000	982 - R330	FH7 - 9308 - 000	911 - L101	FS2 - 3504 - 000	310 - 40
FH6 - 3900 - 000	111 - 9	FH7 - 9314 - 000	116 - 3	FS2 - 3512 - 000	250 - 3
FH6 - 3902 - 000	103 - 35	FH7 - 9316 - 000	116 - 3		620 - 16
FH6 - 3904 - 000	108 - 13	FH9 - 0367 - 000	331 - 21A	FS2 - 3612 - 000	368 - 10
FH6 - 3905 - 000	510 - 17	FN5 - 4009 - 000	104 - 15	FS2 - 3613 - 000	368 - 11
FH6 - 3906 - 000	510 - 17	FS1 - 0422 - 000	290 - 8	FS2 - 6458 - 000	365 - 80
FH7 - 3349 - 000	420 - 15	FS1 - 0542 - 000	254 - 3		366 - 17
FH7 - 4458 - 000	510 - 18		352 - 19	FS2 - 6459 - 000	365 - 52
FH7 - 4459 - 000	510 - 18	FS1 - 1186 - 000	254 - 4		365 - 55
FH7 - 4460 - 000	510 - 18	FS1 - 1189 - 000	261 - 2	FS2 - 9001 - 000	110 - 4
FH7 - 4584 - 000	305 - 4		275 - 5		333 - 23
FH7 - 4585 - 000	305 - 4		315 - 33	FS2 - 9267 - 000	106 - 7
FH7 - 4610 - 000	305 - 4		352 - 20		530 - 96
FH7 - 4611 - 000	810 - 51		530 - 94	FS2 - 9327 - 000	109 - 11
FH7 - 4612 - 000	810 - 51	FS1 - 1190 - 000	315 - 34		111 - 26
FH7 - 4613 - 000	810 - 51		330 - 30	FS2 - 9461 - 000	332 - 6
FH7 - 4617 - 000	810 - 52	FS1 - 1205 - 000	110 - 2	FS3 - 0039 - 000	290 - 12
FH7 - 4618 - 000	810 - 52		330 - 18	FS3 - 0168 - 000	290 - 13
FH7 - 4619 - 000	810 - 52	FS1 - 1206 - 000	341 - 12	FS3 - 0570 - 000	260 - 4
FH7 - 5420 - 000	365 - 24	FS1 - 1213 - 000	272 - 9	FS3 - 0703 - 000	622 - 22
FH7 - 5446 - 000	810 - 2		710 - 16	FS3 - 0955 - 000	368 - 12
	810 - 78		780 - 15	FS3 - 2044 - 000	109 - 12
FH7 - 5469 - 000	252 - 9	FS1 - 1235 - 000	270 - 25		111 - 27
FH7 - 5518 - 000	310 - 32	FS1 - 1346 - 000	315 - 35	FS3 - 2433 - 000	770 - 3
	352 - 17	FS1 - 1402 - 000	330 - 7A	FS4 - 0119 - 000	265 - 2
FH7 - 5520 - 000	310 - 33	FS1 - 1422 - 000	352 - 21	FS4 - 0125 - 000	315 - 37
FH7 - 5581 - 000	330 - 25		530 - 95	FS4 - 0135 - 000	261 - 3
FH7 - 5641 - 000	365 - 83	FS1 - 1449 - 000	290 - 9	FS4 - 0145 - 000	251 - 2
FH7 - 5683 - 000	365 - 59		621 - 30	FS4 - 0158 - 000	341 - 8
FH7 - 5684 - 000	365 - 81		622 - 21	FS4 - 2115 - 000	365 - 63
FH7 - 5741 - 000	254 - 2		710 - 17	FS4 - 2122 - 000	366 - 18
FH7 - 5818 - 000	313 - 46	FS1 - 1462 - 000	330 - 28	FS4 - 2124 - 000	315 - 38
FH7 - 5824 - 000	315 - 31		333 - 21	FS4 - 2128 - 000	365 - 64
FH7 - 5839 - 000	313 - 47		530 - 71	FS4 - 2143 - 000	368 - 13
FH7 - 5847 - 000	810 - 53		532 - 9	FS5 - 0338 - 000	313 - 50
FH7 - 5848 - 000	621 - 28	FS1 - 1508 - 000	310 - 36		331 - 24
	622 - 19		330 - 31	FS5 - 0393 - 000	315 - 39
FH7 - 5851 - 000	330 - 17		830 - 5	FS5 - 0394 - 000	315 - 40
	530 - 40		830 - 10	FS5 - 0395 - 000	315 - 41
FH7 - 5852 - 000	310 - 34		831 - 11	FS5 - 0532 - 000	300 - 34
FH7 - 5854 - 000	330 - 50	FS1 - 1509 - 000	310 - 37	FS5 - 0645 - 000	271 - 6
FH7 - 6208 - 000	108 - 14		530 - 83		272 - 10
	915 - 6	FS1 - 1510 - 000	275 - 2	FS5 - 0651 - 000	510 - 9
FH7 - 6209 - 000	101 - 20	FS1 - 1512 - 000	310 - 38		530 - 84
FH7 - 6283 - 000	420 - 16		311 - 26	FS5 - 0659 - 000	640 - 23
FH7 - 6284 - 000	810 - 47		313 - 49		641 - 20
FH7 - 6285 - 000	910 - 1A		315 - 36	FS5 - 0662 - 000	252 - 12
FH7 - 7217 - 000	530 - 92		341 - 7		265 - 3
	532 - 8		350 - 11	FS5 - 0663 - 000	290 - 14
FH7 - 7306 - 000	210 - 23		351 - 16	FS5 - 0664 - 020	290 - 15
	355 - 12		352 - 22	FS5 - 0667 - 000	109 - 4
FH7 - 7312 - 000	102 - 11		355 - 13	FS5 - 0668 - 000	109 - 5
	102 - 20	FS1 - 1595 - 000	330 - 53	FS5 - 0681 - 000	530 - 69
	106 - 20	FS1 - 1596 - 000	350 - 12	FS5 - 0682 - 000	530 - 67
	365 - 85		351 - 17	FS5 - 0684 - 000	810 - 58
FH7 - 7326 - 000	365 - 60	FS1 - 6214 - 000	290 - 10	FS5 - 0687 - 000	254 - 5
	367 - 11	FS1 - 9004 - 000	365 - 61	FS5 - 0696 - 000	621 - 31
	368 - 15	FS1 - 9008 - 000	330 - 22	FS5 - 0703 - 000	810 - 59
FH7 - 7336 - 000	621 - 29	FS1 - 9009 - 000	350 - 13	FS5 - 0706 - 020	260 - 5
	622 - 20		351 - 18	FS5 - 0710 - 000	330 - 32



PART NUMBER	FIGURE & KEY NO.	PART NUMBER	FIGURE & KEY NO.	PART NUMBER	FIGURE & KEY NO.
FS6 - 8542 - 000	301 - 28	ME1 - 0038 - 000	111 - 1A	PCB	B - J 405
FS6 - 8543 - 000	365 - 19		130 - 17		B - J 410
FS6 - 8544 - 000	310 - 48		510 - 8		B - J 411
FS6 - 8545 - 000	300 - 47	PCB	B - BJ2010		B - J 412
FS6 - 8710 - 000	300 - 42		B - CJ2002		B - J 420
	301 - 24		B - DJ315		B - J 421
FS6 - 8724 - 000	115 - 11		B - DJ701		B - J 430
	116 - 14		B - DJ713		B - J 440
FS6 - 8725 - 000	116 - 14		B - DJ714		B - J 441
FS7 - 0052 - 000	313 - 63		B - J 6		B - J 450
FS7 - 0127 - 000	251 - 3		B - J 7		B - J 525
FS7 - 0128 - 000	310 - 49		B - J 9		B - J 526
FS7 - 0129 - 000	331 - 31		B - J 10		B - J 527
FS7 - 0130 - 000	331 - 32		B - J 14		B - J 529
FS7 - 0132 - 000	640 - 24		B - J 22		B - J 602
	641 - 21		B - J 51		B - J 604
FS7 - 0133 - 000	640 - 25		B - J 200		B - J 716
	641 - 22		B - J 201		B - J 717
FS7 - 0134 - 000	640 - 26		B - J 202		B - J 808
	641 - 23		B - J 203		B - J 901
FS7 - 0135 - 000	640 - 27		B - J 204		B - J 902
	641 - 24		B - J 205		B - J 903
FS7 - 0137 - 000	252 - 13		B - J 211		B - J 905
FS7 - 0138 - 000	252 - 14		B - J 212		B - J 906
FS7 - 0139 - 000	270 - 29		B - J 213		B - J 907
FS7 - 0140 - 000	255 - 4		B - J 214		B - J 908
FS7 - 0141 - 000	106 - 10		B - J 215		B - J 909
FS7 - 0142 - 000	272 - 5		B - J 221		B - J 910
	275 - 4		B - J 222		B - J 921
FS7 - 0143 - 000	252 - 5A		B - J 223		B - J 922
	271 - 3A		B - J 224		B - J 923
	272 - 4A		B - J 225		B - J 929
FS7 - 0144 - 000	271 - 5		B - J 231		B - J 930
	272 - 6		B - J 232		B - J 931
FS7 - 0147 - 000	530 - 50		B - J 251		B - J 932
FS7 - 0148 - 000	780 - 18		B - J 300		B - J 933
FS7 - 0149 - 000	780 - 19		B - J 301		B - J 934
FS7 - 0150 - 000	780 - 13		B - J 302		B - J 935
FS7 - 0153 - 000	331 - 33		B - J 303		B - J 936
FS7 - 0154 - 000	330 - 33		B - J 304		B - J 937
FS7 - 0155 - 000	810 - 64		B - J 310		B - J 938
FS7 - 0156 - 000	253 - 5		B - J 311		B - J 939
FS7 - 0157 - 000	253 - 6		B - J 312		B - J 941
FS7 - 0158 - 000	253 - 7		B - J 313		B - J 943
FS7 - 0159 - 000	355 - 17		B - J 314		B - J 961
FS7 - 0160 - 000	810 - 65		B - J 315		B - J 962
FS7 - 0162 - 000	253 - 8		B - J 320		B - J 963
	810 - 67		B - J 321		B - J1001
FS7 - 0163 - 000	830 - 16		B - J 322		B - J1002
FS7 - 0164 - 000	830 - 3		B - J 323		B - J1004
FS7 - 0165 - 000	265 - 6		B - J 330		B - J1005
FS7 - 0166 - 000	265 - 7		B - J 331		B - J1006
FS7 - 0167 - 000	350 - 16		B - J 332		B - J1007
	352 - 29		B - J 333		B - J1008
FS7 - 0168 - 000	352 - 30		B - J 334		B - J1009
FS7 - 0169 - 000	352 - 31		B - J 335		B - J1010
FS7 - 0170 - 000	352 - 32		B - J 336		B - J1011
FS7 - 0173 - 000	352 - 33		B - J 340		B - J1012
FS7 - 0176 - 000	341 - 10		B - J 341		B - J1013
FS7 - 0287 - 000	330 - 34		B - J 342		B - J1014
FS7 - 0288 - 000	333 - 27		B - J 343		B - J1015
FS7 - 0289 - 000	251 - 4		B - J 344		B - J1016
FS7 - 0290 - 000	251 - 5		B - J 345		B - J1017
FS7 - 0291 - 000	330 - 64		B - J 346		B - J1018
FS7 - 0292 - 000	330 - 35		B - J 347		B - J1019
FS7 - 0293 - 000	330 - 36		B - J 348		B - J1020
FS7 - 0295 - 000	330 - 37		B - J 349		B - J1021
FS7 - 0296 - 000	330 - 38		B - J 350		B - J1022
FY3 - 0030 - 000	550 - 1		B - J 351		B - J1023
	580 - 1		B - J 352		B - J1024
	590 - 1		B - J 360		B - J1025
	591 - 1		B - J 364		B - J1026
	592 - 1		B - J 370		B - J1027
FY3 - 0040 - 000	550 - 1		B - J 371		B - J1028
	580 - 1		B - J 372		B - J1029
	590 - 1		B - J 374		B - J1200
	591 - 1		B - J 376		B - J1201
	592 - 1		B - J 377		B - J1202
FY9 - 3040 - 000	020 - 1		B - J 380		B - J1203
FY9 - 3044 - 000	020 - 3		B - J 390		B - J1204
FY9 - 3045 - 000	020 - 4		B - J 391		B - J1205
FY9 - 7006 - 020	001 - 4		B - J 400		B - J1206
HS1 - 1031 - 000	333 - 28		B - J 401		B - J1207
ME1 - 0038 - 000	110 - 6		B - J 402		B - J1210
	110 - 17A		B - J 404		B - J1301

PART NUMBER	FIGURE & KEY NO.	PART NUMBER	FIGURE & KEY NO.	PART NUMBER	FIGURE & KEY NO.		
PCB	B - J1302	VS1 - 0842 - 002	B - J 647	VS1 - 5057 - 002	B - J 594		
	B - J1303		B - J 650		B - J 595		
	B - J1304		B - J 653		B - J 596		
	B - J1305		B - J 656		B - J 597		
	B - J1306		VS1 - 0842 - 003		B - J 508	B - J 605	
	B - J1702				B - J 509	B - J 609	
	B - J1703				B - J 511	B - J 613	
	B - J1704				B - J 512	B - J 626	
	B - J1705				B - J 523	B - J 629	
	B - J1706				B - J 530	B - J 633	
	B - J2001	B - J 548			B - J 634		
	B - J2002	B - J 558			B - J 635		
	B - J2003	B - J 610			B - J 647		
	B - J2004	B - J 614			B - J 650		
	B - J2005	B - J 627	B - J 653				
	B - J2006	B - J 628	B - J 656				
	B - J2007	B - J 630	B - J 665				
	B - J2008	B - J 631	B - J 672				
	B - J2009	B - J 648	B - J 673				
	B - J2010	B - J 649	B - J 674				
	B - J2011	B - J 651	B - J 675				
	B - J2012	B - J 652	B - J 689				
	B - J2051	B - J 654	B - J 693				
	B - J2052	B - J 655	B - J 706				
	B - J2053	B - J 657	B - J 725				
	B - J2100	B - J 658	102 - 26				
	B - J2101	B - J 688	105 - 26				
	B - J2102	B - J 695	252 - 6				
	B - J2103	B - J 698	254 - 7				
	B - J2201	B - J 699	290 - 17				
	B - LJ 4	B - J 734	310 - 30A				
	B - LJ1307	B - J 737	313 - 45A				
	B - OJ603	B - J 739	315 - 29A				
	B - PJ905	B - J 740	330 - 44				
	B - PJ907	B - J 741	330 - 48A				
	B - PJ908	B - J 608	352 - 16A				
	B - PJ951	B - J 612	365 - 49A				
	RA2 - 0349 - 000	367 - 10	B - J 716		530 - 86		
	RA9 - 0621 - 000	820 - 4	B - J1201		621 - 9		
	RB1 - 3148 - 000	104 - 27	B - J1210		622 - 28		
	RF5 - 0935 - 000	350 - 17	VS1 - 0842 - 006		B - J 519	VS1 - 5057 - 003	B - J 507
		351 - 25			B - J 522		B - J 509
	RH3 - 5025 - 000	981 - T105			B - J 525		B - J 514
	RH4 - 5283 - 000	945 - Q 5			B - J 526		B - J 515
	RH4 - 5341 - 000	945 - Q 15			B - J 527		B - J 523
	RH6 - 3056 - 000	970 - L 1			B - J 529		B - J 524
RH6 - 3057 - 000	970 - L 1	B - J 692		B - J 532			
RH6 - 3148 - 000	911 - L301	B - J 800		B - J 534			
RH6 - 3847 - 000	333 - 20A	B - J 802		B - J 537			
RH7 - 1126 - 000	102 - 7	B - J 518		B - J 543			
RS1 - 1016 - 000	830 - 9	B - J 748	B - J 548				
	831 - 9	B - J 815	B - J 610				
RS1 - 1029 - 000	621 - 35	B - J 816	B - J 614				
	622 - 27	B - J 520	B - J 632				
TKN - 0480 - 000	020 - 2	B - J 622	B - J 642				
VD7 - 0212 - 001	912 - 1	B - J 644	B - J 659				
VD7 - 0215 - 001	913 - 2	B - J 646	B - J 660				
VD7 - 0218 - 001	970 - 3	B - J 747	B - J 664				
VD7 - 0461 - 502	911 - 1H	B - J 621	B - J 678				
VD7 - 0642 - 001	912 - 1	B - J 643	B - J 679				
VD7 - 0644 - 001	970 - 3	B - J 645	B - J 680				
VD7 - 0646 - 301	911 - 1H	B - J 710	B - J 681				
VS1 - 0279 - 002	B - J 546	B - J 749	B - J 688				
	B - J 726	B - J 821	B - J 690				
	B - J 743	B - J 540	B - J 694				
VS1 - 0279 - 003	B - J 430	B - J2102	B - J 708				
	B - J 460	B - J2201	B - J 723				
	B - J 720	B - J 539	B - J 734				
	B - J 742	B - J 709	B - J 735				
	B - J1028	B - J 803	B - J 739				
	B - J2053	B - J2103	B - J 740				
VS1 - 0279 - 004	B - J 711	B - CJ2002	B - J 744				
	B - J 820	B - J 618	B - J 745				
	B - J 927	B - J 620	B - J 807				
	B - J2001	B - J 617	B - J 810				
VS1 - 0279 - 005	B - J 939	B - J 619	B - J 811				
	B - J1025	B - J 205	B - J 818				
VS1 - 0279 - 006	B - J 440	B - J 533	B - J 819				
VS1 - 0279 - 010	B - J 714	B - J 535	102 - 13				
VS1 - 0280 - 010	B - J 714	B - J 551	102 - 27				
VS1 - 0842 - 002	B - J 533	B - J 555	103 - 26A				
	B - J 535	B - J 556	105 - 2				
	B - J 574	B - J 557	105 - 15				
	B - J 626	B - J 574	105 - 17A				
	B - J 629	B - J 582	105 - 22A				

PART NUMBER	FIGURE & KEY NO.	PART NUMBER	FIGURE & KEY NO.	PART NUMBER	FIGURE & KEY NO.			
VS1 - 5057 - 003	106 - 22	VS1 - 5057 - 010	B - J 749	VS1 - 6313 - 013	B - J 331			
	109 - 13G		B - J 821		B - J 671			
	109 - 20		108 - 7A		B - J1012			
	109 - 27		313 - 45C		B - J1015			
	111 - 2A		352 - 16C		B - J1021			
	111 - 13G		970 - 1A		B - J 312			
	111 - 29		981 - 3A		B - J 345			
	190 - 2		B - J 540		B - J1026			
	191 - 3		108 - 6A		B - J2002			
	210 - 46		B - J 539		B - J 901			
	272 - 7A		B - J 585		B - J1018			
	310 - 30B		B - J 624		B - J 311			
	315 - 30A		B - J 709		B - J1203			
	330 - 45		B - J 803		B - J2006			
	350 - 9A		108 - 3		B - J 341			
	351 - 13A		108 - 6B		B - J1007			
	352 - 16B		108 - 7B		B - J1017			
	365 - 49B		108 - 28		B - J1204			
	621 - 10		252 - 8B		B - BJ2010			
	622 - 29		B - J 586		B - J 544			
	770 - 2		252 - 8C		B - J2005			
	810 - 48A		B - J 623		B - J1207			
	810 - 73		108 - 29		B - J1306			
	VS1 - 5057 - 004		B - J 608		VS1 - 5568 - 050	B - J2101	VS1 - 6314 - 004	B - J 528
			B - J 612		VS1 - 5696 - 004	B - J 400	VS1 - 6314 - 005	B - J 202
			B - J 733		VS1 - 5729 - 002	B - J 545	VS1 - 6314 - 008	B - J 335
	102 - 28				B - J 920		B - J1001	
	109 - 10A				B - J 942		B - J1008	
	VS1 - 5057 - 005		111 - 25A		VS1 - 5729 - 003	B - J 5	VS1 - 6314 - 009	B - J1301
			B - J 521			B - J 15		B - J2011
			B - J 549			B - J 16		B - J 573
			B - J 663			B - J 541		B - J 602
			B - J 697			B - J 917		B - J1020
102 - 29		B - J 952	B - J1202					
315 - 29B		B - J 13	B - J1205					
332 - 5A		B - J 953	B - J2003					
365 - 49C		B - J 926	B - J2051					
VS1 - 5057 - 006		B - J 513	VS1 - 5729 - 005	B - J 24		VS1 - 6314 - 010		B - J2052
		B - J 519	VS1 - 5729 - 010	B - J 915				B - J 301
		B - J 522	VS1 - 5730 - 002	B - J 661				B - J 321
	B - J 536	VS1 - 5730 - 003	B - J 753	B - J 391				
	B - J 589	VS1 - 5820 - 010	B - J 752	B - J 808				
	B - J 590	VS1 - 5820 - 011	B - J 717	B - J1002				
	B - J 591	VS1 - 5824 - 003	B - J 810	B - J1005				
	B - J 592	VS1 - 5824 - 006	B - J 513	B - J1022				
	B - J 593		B - J 590	B - J1027				
	B - J 692		B - J 591	B - J2004				
	B - J 800		B - J 592	B - J2007				
	B - J 802		B - J 593	B - PJ905				
	102 - 30	VS1 - 5824 - 007	B - J 303	VS1 - 6314 - 011	B - J 322			
	102 - 37	VS1 - 5824 - 010	B - J1024		B - J 342			
	105 - 22B	VS1 - 5824 - 012	B - J 333		B - J 903			
	106 - 13		B - J 334		B - J 922			
	108 - 15A	VS1 - 5824 - 013	B - J 585	VS1 - 6314 - 012	B - J 332			
	109 - 22A	VS1 - 5976 - 002	B - J 586		B - J 336			
	252 - 7		B - J 923		B - J 571			
	270 - 23A		B - PJ951		B - J1011			
	272 - 12	VS1 - 5976 - 007	B - J 402		B - J1016			
	365 - 49D	VS1 - 5976 - 008	B - J 401		B - J1019			
	VS1 - 5057 - 007	B - J 518	VS1 - 5976 - 010	B - J 421	VS1 - 6314 - 013		B - J1023	
		B - J 588		B - J 450			B - J 331	
		B - J 748	VS1 - 6053 - 020	B - J1024			B - J 671	
		B - J 815	VS1 - 6313 - 008	B - J1001			B - J1012	
		102 - 38		B - J1008			B - J1015	
		110 - 11	VS1 - 6313 - 009	B - J 602			B - J1021	
		270 - 23B		B - J1020			B - J 312	
		B - J 520		B - J2003			B - J 345	
		B - J 587	VS1 - 6313 - 010	B - J2051			B - J1029	
		B - J 622		B - J 301			B - J1302	
		B - J 644		B - J 321			B - J1026	
B - J 646			B - J 391	B - J2002				
B - J 747		B - J 572	B - J 204					
B - J 751		B - J1002	B - J 344					
102 - 39		B - J1005	B - J 347					
110 - 12		B - J1022	B - J 901					
252 - 8A		B - J1027	B - J1018					
313 - 45B		B - J2004	B - J1303					
331 - 20A		B - J2007	B - J 311					
VS1 - 5057 - 009	B - J 625	VS1 - 6313 - 011	B - J 322	B - J 346				
	310 - 30C	VS1 - 6313 - 012	B - J 332	B - J 902				
	B - J 621		B - J 571	B - J 921				
B - J 643		B - J1011	B - J1203					
B - J 645		B - J1016	B - J2006					
B - J 701		B - J1019	B - J 341					
B - J 710		B - J1023	B - J 348					

PART NUMBER	FIGURE & KEY NO.	PART NUMBER	FIGURE & KEY NO.	PART NUMBER	FIGURE & KEY NO.
VS1 - 6314 - 018	B - J1007	VS1 - 6321 - 003	B - J 660	VS1 - 6407 - 060	B - J2009
	B - J1017		B - J 664	VS1 - 6407 - 080	B - J 214
	B - J1204		B - J 666		B - J 223
VS1 - 6314 - 019	B - J 203		B - J 678	VS1 - 6407 - 100	B - J 201
VS1 - 6314 - 020	B - BJ2010		B - J 679		B - J 215
	B - J 544		B - J 680		B - J 224
	B - J2005		B - J 681		B - J1006
VS1 - 6318 - 009	B - J 573		B - J 705		B - J2008
	330 - 46		B - J 707		B - J2012
VS1 - 6318 - 010	B - J 572		B - J 708	VS1 - 6414 - 005	B - J 349
	330 - 47		B - J 734	VS3 - 0044 - 003	B - J 412
VS1 - 6319 - 026	B - J 671		B - J 735		B - J 441
	620 - 21		B - J 739	VS3 - 0044 - 005	B - J 715
VS1 - 6320 - 003	B - J 581		B - J 740	VS3 - 0047 - 003	B - J 719
	B - J 723		B - J 744	VS3 - 0108 - 002	B - J 713
VS1 - 6320 - 009	B - J 815		B - J 745	VS3 - 0108 - 003	B - J 460
	B - J 816		B - J 807	VS3 - 0108 - 004	B - J 820
VS1 - 6321 - 002	B - J 535		B - J 810		B - J 927
	B - J 551		B - J 811	VS3 - 0111 - 002	B - DJ315
	B - J 552		B - J 818	VS3 - 0111 - 010	B - J1705
	B - J 555		B - J 819	VS3 - 0155 - 009	B - J 805
	B - J 556		B - J 822	VS3 - 0155 - 025	B - SK 4
	B - J 557	VS1 - 6321 - 004	B - J 361	VS3 - 0192 - 004	B - J 8
	B - J 559		B - J 365	VS3 - 0309 - 032	B - J 686
	B - J 574		B - J 371	VS3 - 5083 - 002	B - J 23
	B - J 582		B - J 608		B - J 227
	B - J 594		B - J 612		B - J 315
	B - J 595		B - J 733		B - J 316
	B - J 596	VS1 - 6321 - 005	B - J 377		B - J 360
	B - J 597		B - J 521		B - J 364
	B - J 605		B - J 549		B - J 370
	B - J 609		B - J 663		B - J 374
	B - J 613		B - J 304		B - J 376
	B - J 633	VS1 - 6321 - 006	B - J 343		B - J 410
	B - J 634		B - J 519		B - J 545
	B - J 635		B - J 522		B - J 910
	B - J 665		B - J 536		B - J 926
	B - J 672		B - J 589		B - J 928
	B - J 673		B - J 736		B - J 938
	B - J 674		B - J 800		B - J 942
	B - J 675		B - J 802		B - J 961
	B - J 706	VS1 - 6321 - 007	B - J 375	VS3 - 5083 - 003	B - J 5
	B - J 725		B - J 518		B - J 7
	B - J 963		B - J 588		B - J 11
VS1 - 6321 - 003	B - J 317		B - J 748		B - J 14
	B - J 514	VS1 - 6321 - 008	B - J 520		B - J 24
	B - J 515		B - J 587		B - J 51
	B - J 516		B - J 622		B - J 404
	B - J 517		B - J 644		116 - 15
	B - J 523		B - J 646	VS3 - 5083 - 004	B - J 9
	B - J 524		B - J 747		B - J 300
	B - J 531		B - J 751		B - J 310
	B - J 532		B - J 812		B - J 320
	B - J 534		B - J 941		B - J 330
	B - J 537	VS1 - 6321 - 009	B - J 625		B - J 340
	B - J 538		B - J 722		B - J 390
	B - J 543	VS1 - 6321 - 010	B - J 621		B - J 541
	B - J 548		B - J 643		B - J 906
	B - J 553		B - J 645		B - J 917
	B - J 554		B - J 701		B - J 943
	B - J 560		B - J 710		B - J 952
	B - J 575		B - J 749		B - J1009
	B - J 576		B - J 821	VS3 - 5083 - 005	B - J 13
	B - J 577	VS1 - 6321 - 011	B - J 411		B - J 405
	B - J 578		B - J 540	VS3 - 5083 - 006	B - J 200
	B - J 579	VS1 - 6321 - 012	B - J 539		B - J 907
	B - J 598		B - J 624	VS3 - 5083 - 007	B - DJ701
	B - J 599		B - J 709		B - J 6
	B - J 600		B - J 803		B - J 350
	B - J 601	VS1 - 6321 - 014	B - J 623		B - J 922
	B - J 603	VS1 - 6327 - 024	330 - 21		B - J 932
	B - J 604	VS1 - 6327 - 040	B - J 544		B - J 933
	B - J 607		330 - 51		B - J2100
	B - J 610	VS1 - 6380 - 002	B - J 15	VS3 - 5083 - 008	B - J 380
	B - J 611		B - J 16		B - J 909
	B - J 614	VS1 - 6380 - 003	B - J 930		B - J 936
	B - J 632		B - J 951		B - J1200
	B - J 636	VS1 - 6380 - 004	B - J 937	VS3 - 5083 - 009	B - J 934
	B - J 637		B - J 954		B - J1010
	B - J 638	VS1 - 6380 - 006	B - J 1		B - J2010
	B - J 639		B - J 929	VS3 - 5083 - 010	B - J 908
	B - J 640	VS1 - 6380 - 008	B - J 950		B - J 953
	B - J 641	VS1 - 6380 - 012	B - J 2	VS3 - 5084 - 004	B - J1704
	B - J 642		B - J 3	VS3 - 5121 - 002	B - J 15
	B - J 659	VS1 - 6407 - 060	B - J1206		B - J 16

PART NUMBER	FIGURE & KEY NO.	PART NUMBER	FIGURE & KEY NO.	PART NUMBER	FIGURE & KEY NO.
VS3 - 5121 - 003	B - J 951	WS3 - 0437 - 000	B - J 711	WS3 - 5160 - 000	B - J 953
VS3 - 5121 - 004	B - J 1		B - J 720		B - J 961
	B - J 954		B - J 726		B - J1009
VS3 - 5121 - 006	B - J 4		B - J 820		B - J1010
	115 - 4		B - J 939		B - J1200
	116 - 4		B - J1025		B - J2010
VS3 - 5121 - 008	B - J 919		B - J1028		B - J2100
	B - J 950		B - J2001		116 - 16
VS3 - 5121 - 012	B - J 2		B - J2053	WS3 - 5291 - 000	B - J 950
	B - J 3	WS3 - 0469 - 000	B - J 440		B - J 951
VS4 - 0001 - 003	B - J 10		B - J 460		B - J 954
	B - J 52		B - J 711		116 - 17
	B - J 53		B - J 714	WS3 - 5292 - 000	B - J 1
VS4 - 0001 - 004	B - J 913		B - J 742		B - J 954
	B - J 914		B - J 743	WS3 - 5301 - 000	B - J 5
	B - J 935	WS3 - 0885 - 000	B - J 460		B - J 13
VS4 - 0001 - 006	B - J 931		B - J 711		B - J 15
VS4 - 0001 - 009	B - J 406		B - J 714		B - J 16
	B - J 407		B - J 820		B - J 24
VS4 - 0001 - 015	B - J 940		B - J 927		B - J 541
VS4 - 0002 - 004	B - J 914	WS3 - 0916 - 000	B - J 412		B - J 545
VS4 - 0002 - 009	B - J 406		B - J 441		B - J 661
	B - J 407		B - J 715		B - J 915
VS4 - 0002 - 015	B - J 940		B - J 719		B - J 917
VS4 - 0003 - 004	B - J 711	WS3 - 1019 - 000	B - DJ315		B - J 920
VT2 - 5161 - 016	B - J1001	WS3 - 1051 - 000	B - J 805		B - J 926
	B - J1008		B - SK 4		B - J 942
VT2 - 5161 - 018	B - J 602	WS3 - 1052 - 000	B - J 805		B - J 952
	B - J1020		B - SK 4		B - J 953
	B - J2003	WS3 - 1271 - 000	B - J 686	WS3 - 5358 - 000	B - J 303
	B - J2051	WS3 - 1297 - 000	B - J1705		B - J 333
VT2 - 5161 - 020	B - J 301	WS3 - 5016 - 000	B - J 713		B - J 334
	B - J 321		B - J 714		B - J 513
	B - J 391	WS3 - 5159 - 000	B - J1704		B - J 585
	B - J1002	WS3 - 5160 - 000	B - DJ701		B - J 586
	B - J1005		B - J 4		B - J 590
	B - J1022		B - J 5		B - J 591
	B - J1027		B - J 6		B - J 592
	B - J2004		B - J 7		B - J 593
	B - J2007		B - J 9		B - J 717
VT2 - 5161 - 022	B - J 322		B - J 11		B - J 810
VT2 - 5161 - 024	B - J 332		B - J 13		B - J1024
	B - J 571		B - J 14	WS3 - 5473 - 000	116 - 17
	B - J1011		B - J 23	WS3 - 5526 - 000	B - J 1
	B - J1016		B - J 24		B - J 2
	B - J1019		B - J 51		B - J 3
	B - J1023		B - J 200		B - J 15
VT2 - 5161 - 026	B - J 331		B - J 227		B - J 16
	B - J 671		B - J 300		B - J 919
	B - J1012		B - J 310		115 - 5
	B - J1015		B - J 315		116 - 5
	B - J1021		B - J 316	WS3 - 5527 - 000	B - J 1
VT2 - 5161 - 028	B - J 312		B - J 320		B - J 2
	B - J 345		B - J 330		B - J 3
VT2 - 5161 - 030	B - J1026		B - J 340		B - J 15
	B - J2002		B - J 350		B - J 16
VT2 - 5161 - 032	B - J 901		B - J 360		B - J 929
	B - J1018		B - J 364		B - J 930
VT2 - 5161 - 034	B - J 311		B - J 370		B - J 937
	B - J1203		B - J 374		B - J 950
	B - J2006		B - J 376		B - J 951
VT2 - 5161 - 036	B - J 341		B - J 380	WS3 - 5608 - 000	B - J 571
	B - J1007		B - J 390	WS3 - 5609 - 000	B - J 544
	B - J1017		B - J 404		B - J 571
	B - J1204		B - J 405	WS4 - 0073 - 000	B - J 8
VT2 - 5161 - 040	B - BJ2010		B - J 410	WS4 - 0203 - 000	B - J 406
	B - J 544		B - J 541	WS4 - 0217 - 000	B - J 406
	B - J2005		B - J 545		B - J 407
WC4 - 5023 - 000	290 - 18		B - J 906		B - J 913
WC8 - 5051 - 000	102 - 22		B - J 907		B - J 914
	106 - 23		B - J 908		B - J 940
WD3 - 0125 - 000	915 - 7		B - J 909	WS4 - 0218 - 000	B - J 940
WD3 - 5071 - 000	915 - 7		B - J 910	WS4 - 0219 - 000	B - J 10
WE8 - 5224 - 000	110 - 21		B - J 917		B - J 52
WG1 - 0373 - 000	930 - LED1		B - J 922		B - J 53
	931 - LED1		B - J 926		B - J 407
	931 - LED2		B - J 928		B - J 914
WG1 - 5370 - 000	331 - 18B		B - J 932		B - J 940
	332 - 3B		B - J 933	WS4 - 0220 - 000	B - J 52
WG3 - 0103 - 000	331 - 19B		B - J 934		B - J 53
	332 - 4B		B - J 936		B - J 931
WK1 - 0084 - 000	931 - 4A		B - J 938		B - J 935
WK1 - 5019 - 000	931 - 4B		B - J 942		B - J 940
WS3 - 0437 - 000	B - J 430		B - J 943	WS5 - 5068 - 000	115 - 6
	B - J 546		B - J 952		116 - 6



PART NUMBER	FIGURE & KEY NO.	PART NUMBER	FIGURE & KEY NO.	PART NUMBER	FIGURE & KEY NO.
WS9 - 0110 - 000	108 - 4	XA9 - 0629 - 000	113 - 6	XB1 - 2300 - 409	352 - 501
	109 - 22B		210 - 30		365 - 509
WT1 - 0240 - 000	B - J 927		252 - 16		366 - 501
WT1 - 0246 - 000	B - J 420		253 - 9		420 - 501
WT1 - 0247 - 000	116 - 19		260 - 9		511 - 501
WT1 - 0403 - 000	115 - 7		265 - 8		530 - 507
	116 - 7		290 - 19		620 - 501
WT1 - 0580 - 000	115 - 8		305 - 5		640 - 502
	116 - 8		315 - 51		641 - 502
WT1 - 5023 - 000	116 - 18		330 - 65	XB1 - 2300 - 507	109 - 501
WT1 - 5024 - 000	115 - 1		350 - 1	XB1 - 2300 - 602	330 - 501
	116 - 1		352 - 34		640 - 503
	116 - 8		947 - 4		641 - 503
WT1 - 5245 - 000	115 - 9		950 - 3	XB1 - 2300 - 606	103 - 501
	116 - 9		955 - 2		108 - 501
WT1 - 5276 - 000	B - J 905	XA9 - 0630 - 000	103 - 34		915 - 501
	B - J1702		106 - 24		958 - 501
	B - J1703		109 - 26	XB1 - 2300 - 607	333 - 501
	B - J1706		110 - 22		530 - 519
WT2 - 0113 - 000	116 - 12		111 - 18		621 - 502
WT2 - 0212 - 000	915 - 8	XA9 - 0633 - 000	100 - 57		622 - 507
WT2 - 0365 - 000	530 - 87		108 - 16		950 - 501
WT2 - 5041 - 000	305 - 3		313 - 65	XB1 - 2300 - 609	102 - 503
	532 - 10	XA9 - 0642 - 000	108 - 20		105 - 501
	947 - 2	XA9 - 0670 - 000	130 - 18		210 - 506
WT2 - 5127 - 000	115 - 12	XA9 - 0673 - 000	107 - 15		252 - 502
	116 - 20	XA9 - 0679 - 000	355 - 18		255 - 501
WT2 - 5169 - 000	311 - 30	XA9 - 0686 - 000	105 - 3		270 - 502
	810 - 68	XA9 - 0721 - 000	101 - 13		300 - 505
WT2 - 5304 - 000	108 - 21		102 - 34		301 - 503
WT2 - 5308 - 000	109 - 24		210 - 31		310 - 501
WT2 - 5326 - 000	810 - 69	XA9 - 0722 - 000	103 - 36		313 - 502
WT2 - 5382 - 000	108 - 23		315 - 52		330 - 503
WT2 - 5565 - 000	330 - 20	XA9 - 0724 - 000	101 - 21		331 - 502
X71 - 3186 - 000	102 - 23		102 - 31		332 - 501
XA9 - 0014 - 000	550 - 14		105 - 20		350 - 501
XA9 - 0015 - 000	590 - 8		352 - 37		351 - 501
XA9 - 0033 - 000	640 - 28	XA9 - 0739 - 000	115 - 10		355 - 501
	641 - 25		116 - 10		365 - 501
XA9 - 0040 - 000	947 - 3	XA9 - 0748 - 000	210 - 32		368 - 506
XA9 - 0113 - 000	810 - 70	XA9 - 0782 - 000	100 - 33		420 - 502
XA9 - 0207 - 000	300 - 43		100 - 38		430 - 503
	301 - 30	XA9 - 0783 - 000	352 - 36		511 - 502
XA9 - 0253 - 000	420 - 18	XA9 - 0796 - 000	106 - 14		530 - 512
XA9 - 0265 - 000	313 - 64	XA9 - 0800 - 000	530 - 60		532 - 501
XA9 - 0425 - 000	430 - 6	XA9 - 0848 - 000	104 - 16		550 - 502
XA9 - 0434 - 000	530 - 45	XA9 - 0870 - 000	103 - 28		620 - 507
XA9 - 0591 - 000	100 - 55		981 - 8		710 - 501
	130 - 14	XA9 - 0882 - 000	311 - 32		780 - 501
	300 - 39	XA9 - 0884 - 000	106 - 11		810 - 504
	301 - 23	XA9 - 0908 - 000	102 - 32		947 - 501
XA9 - 0594 - 000	352 - 42	XA9 - 0915 - 000	311 - 33	XB1 - 2300 - 803	550 - 503
XA9 - 0596 - 000	333 - 29		341 - 11	XB1 - 2300 - 807	460 - 503
	621 - 36		580 - 9	XB1 - 2300 - 809	255 - 502
	622 - 30		591 - 9		420 - 503
XA9 - 0605 - 000	100 - 29		592 - 8	XB1 - 2301 - 002	590 - 501
	100 - 32	XA9 - 0916 - 000	111 - 6	XB1 - 2301 - 009	210 - 507
	100 - 37	XA9 - 0963 - 000	210 - 33	XB1 - 2301 - 207	460 - 504
	100 - 50	XA9 - 1032 - 000	330 - 52	XB1 - 2301 - 409	710 - 502
	109 - 21	XA9 - 1033 - 000	351 - 26	XB1 - 2301 - 609	368 - 501
	145 - 9	XA9 - 1034 - 000	190 - 3		420 - 504
	300 - 40		191 - 4		710 - 503
	311 - 31	XA9 - 1037 - 000	530 - 48	XB1 - 2303 - 003	550 - 504
	331 - 34	XA9 - 1038 - 000	530 - 47	XB1 - 2304 - 503	550 - 505
	780 - 20	XA9 - 1039 - 000	105 - 16		580 - 501
XA9 - 0614 - 000	333 - 19	XA9 - 1063 - 000	270 - 30		591 - 501
	621 - 11	XB1 - 1300 - 307	430 - 504		592 - 501
	621 - 37	XB1 - 1300 - 309	430 - 501	XB1 - 2400 - 409	103 - 504
	622 - 31	XB1 - 2200 - 409	550 - 501		107 - 501
XA9 - 0628 - 000	300 - 15	XB1 - 2200 - 807	460 - 502		305 - 502
	301 - 35	XB1 - 2231 - 009	290 - 501		530 - 504
	313 - 66	XB1 - 2300 - 309	430 - 502	XB1 - 2400 - 505	810 - 505
	365 - 76	XB1 - 2300 - 402	640 - 501	XB1 - 2400 - 507	102 - 505
XA9 - 0629 - 000	100 - 47		641 - 501	XB1 - 2400 - 509	101 - 501
	101 - 9	XB1 - 2300 - 406	956 - 501	XB1 - 2400 - 603	115 - 506
	102 - 36		959 - 501	XB1 - 2400 - 606	108 - 503
	103 - 30	XB1 - 2300 - 407	100 - 505		108 - 505
	104 - 9		460 - 505		109 - 503
	105 - 19		530 - 518		160 - 501
	106 - 12		931 - 501		300 - 507
	107 - 21	XB1 - 2300 - 409	130 - 501		301 - 507
	108 - 19		270 - 501		365 - 517
	109 - 25		313 - 501		915 - 502
	110 - 14		330 - 508		955 - 501
	111 - 17		331 - 501	XB1 - 2400 - 607	100 - 502

PART NUMBER	FIGURE & KEY NO.	PART NUMBER	FIGURE & KEY NO.	PART NUMBER	FIGURE & KEY NO.		
XB1 - 2400 - 607	101 - 503	XB1 - 2402 - 006	160 - 502	XB7 - 2100 - 409	210 - 504		
	104 - 501		115 - 501		810 - 513		
	104 - 508	XB1 - 2402 - 009	116 - 501	XB7 - 2100 - 509	110 - 502		
	108 - 502		116 - 506		110 - 502		
	110 - 503	XB1 - 2403 - 009	103 - 502	XD1 - 1104 - 125	313 - 505		
	111 - 501		911 - 501		272 - 504		
	111 - 502	XB1 - 2403 - 509	105 - 502	XD1 - 1106 - 213	330 - 514		
	330 - 521		530 - 508		330 - 522		
	460 - 501	XB1 - 2500 - 605	115 - 502	XD1 - 1106 - 223	710 - 509		
	460 - 506		116 - 502		530 - 501		
	510 - 503	XB1 - 2500 - 809	530 - 521	XD1 - 1106 - 225	530 - 501		
	530 - 517		100 - 501		810 - 501		
	621 - 505	XB1 - 3400 - 806	355 - 504	XD1 - 1106 - 235	810 - 501		
	622 - 506		810 - 503		710 - 510		
	930 - 501	XB2 - 4300 - 605	270 - 504	XD1 - 1106 - 723	255 - 504		
	931 - 502		640 - 505		330 - 511		
	XB1 - 2400 - 609	100 - 507	XB2 - 4300 - 607	911 - 503	XD1 - 1108 - 222	254 - 501	
		102 - 504		810 - 509		275 - 501	
		103 - 505	XB2 - 4301 - 007	830 - 502	XD1 - 1108 - 229	333 - 504	
		104 - 504		831 - 502		352 - 503	
		105 - 503	XB2 - 4400 - 805	915 - 504	XD1 - 1108 - 233	252 - 508	
		107 - 502		116 - 507		261 - 502	
		107 - 505	XB2 - 7400 - 806	105 - 505	XD1 - 1108 - 235	330 - 516	
		108 - 9B		351 - 502		300 - 503	
		108 - 17B	XB2 - 8400 - 607	108 - 506	XD1 - 1108 - 239	365 - 503	
		108 - 508		910 - 501		275 - 502	
		110 - 501	XB2 - 8401 - 009	101 - 504	XD1 - 2100 - 405	510 - 508	
		115 - 504		300 - 501		113 - 501	
		116 - 504	XB2 - 8401 - 409	301 - 501	XD1 - 3100 - 809	115 - 503	
		145 - 501		511 - 503		116 - 503	
		210 - 503	XB4 - 6300 - 609	365 - 510	XD1 - 4100 - 502	115 - 505	
		250 - 501		367 - 501		330 - 512	
251 - 501		XB4 - 7300 - 607	640 - 506	XD1 - 4200 - 402	915 - 503		
252 - 501			710 - 505		311 - 503		
255 - 503		XB4 - 7300 - 609	311 - 506	XD2 - 1100 - 242	313 - 506		
270 - 503			510 - 505		315 - 501		
271 - 503		XB4 - 7400 - 609	109 - 13H	XD2 - 1100 - 322	350 - 503		
272 - 503			111 - 13H		351 - 503		
300 - 502		XB4 - 7400 - 809	313 - 504	XD2 - 1100 - 322	106 - 506		
301 - 506			366 - 503		300 - 506		
310 - 502		XB4 - 7401 - 006	160 - 503	XD2 - 1100 - 422	301 - 504		
311 - 505			100 - 508		313 - 507		
313 - 503		XB5 - 6300 - 609	333 - 503	XD2 - 1100 - 402	330 - 509		
313 - 516			780 - 503		333 - 505		
315 - 507		XB5 - 6400 - 609	252 - 507	XD2 - 1100 - 402	355 - 505		
330 - 502			311 - 501		550 - 506		
331 - 503		XB5 - 6401 - 009	530 - 520	XD2 - 1100 - 402	620 - 504		
332 - 502			530 - 516		621 - 504		
333 - 502	XB6 - 2400 - 808	710 - 506	XD2 - 1100 - 422	622 - 501			
341 - 501		106 - 501		640 - 508			
350 - 502	XB6 - 2400 - 809	210 - 508	XD2 - 1100 - 422	641 - 505			
351 - 505		530 - 515		820 - 501			
352 - 502	XB6 - 2401 - 008	365 - 511	XD2 - 1100 - 502	830 - 503			
355 - 502		100 - 504		831 - 503			
365 - 502	XB6 - 2500 - 808	270 - 509	XD2 - 1100 - 502	810 - 502			
366 - 502		305 - 501		102 - 501			
368 - 502	XB6 - 7300 - 405	640 - 507	XD2 - 1100 - 402	104 - 507			
510 - 504		641 - 506		107 - 503			
530 - 510	XB6 - 7300 - 407	270 - 505	XD2 - 1100 - 422	251 - 502			
532 - 502		311 - 502		330 - 515			
620 - 502	XB6 - 7300 - 409	530 - 513	XD2 - 1100 - 422	365 - 513			
710 - 504		710 - 507		367 - 502			
780 - 502	XB6 - 7300 - 609	710 - 508	XD2 - 1100 - 502	101 - 502			
810 - 506		104 - 505		104 - 506			
830 - 501	XB6 - 7301 - 009	103 - 503	XD2 - 1100 - 502	107 - 504			
831 - 501		104 - 502		109 - 13J			
910 - 502	XB6 - 7400 - 605	105 - 504	XD2 - 1100 - 502	111 - 13J			
911 - 502		108 - 9A		250 - 502			
XB1 - 2400 - 807	100 - 503	XB6 - 7400 - 609	108 - 17C	XD2 - 1100 - 502	251 - 503		
	102 - 502		109 - 502		261 - 503		
	XB1 - 2400 - 809	108 - 504	XB6 - 7400 - 609	210 - 505	XD2 - 1100 - 502	265 - 502	
		265 - 501		104 - 502		270 - 508	
		365 - 515	XB6 - 7401 - 009	105 - 504	XD2 - 1100 - 502	271 - 502	
		530 - 522		108 - 9A		272 - 505	
		931 - 503	XB6 - 7501 - 409	108 - 9A	XD2 - 1100 - 502	275 - 503	
		100 - 506		109 - 502		300 - 504	
		XB1 - 2401 - 006	116 - 505	XB6 - 7501 - 409	305 - 503	XD2 - 1100 - 502	301 - 505
			210 - 502		330 - 513		310 - 503
355 - 503			XB7 - 2100 - 309	341 - 505	XD2 - 1100 - 502	310 - 503	
510 - 509				365 - 518		311 - 504	
XB1 - 2401 - 207	106 - 504		XB7 - 2100 - 309	510 - 507	XD2 - 1100 - 502	313 - 509	
	108 - 507			530 - 511		315 - 502	
	XB1 - 2401 - 209		368 - 503	XB7 - 2100 - 309	620 - 503	XD2 - 1100 - 502	330 - 504
			510 - 501		810 - 514		331 - 504
810 - 507	XB7 - 2100 - 309		510 - 506	XD2 - 1100 - 502	333 - 506		
810 - 507			210 - 509		341 - 502		
					350 - 504		
					351 - 504		
					352 - 504		



Prepared by  
OFFICE IMAGING PRODUCTS TECHNICAL SUPPORT DEPT. 3  
OFFICE IMAGING PRODUCTS TECHNICAL SUPPORT DIV.  
CANON INC.  
Printed in Japan

REVISION 0 [ FEB. 1999 ]

5-1, Hakusan 7-chome, Toride-shi, Ibaraki 302-8501, Japan

**Canon**